

4

3

2

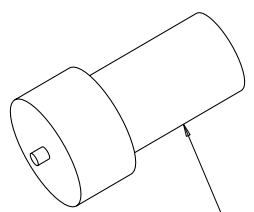
1

THIS DRAWING IS UNPUBLISHED. BY TYCO ELECTRONICS CORPORATION. ALL RIGHTS RESERVED.

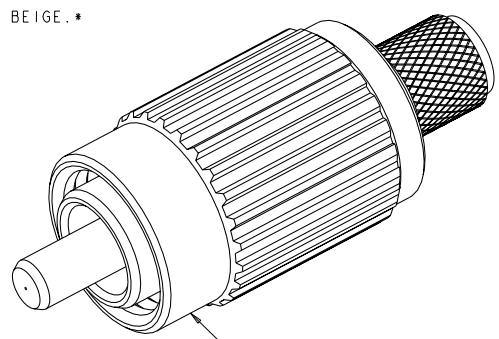
REV	DATE	BY	APPROV
A	07JUN2006	BB	SM

△ MATERIAL:
 PROTECTIVE COVER: LDPE, COLOR: BLACK, NON-FR.
 CONNECTOR SUBASSEMBLY:
 COUPLING NUT: NICKEL PLATED BRASS.
 RETAINER BODY: PES-GF20, COLOR: BEIGE.*
 PLUG BODY: PPS-GF40, COLOR: BEIGE.*
 EPOXY-FILL TUBING: PVC, COLOR: CLEAR, UL VW-1 RATED.
 SPRING: STAINLESS STEEL.
 FERRULE ASSEMBLY: CERAMIC/PBT-GF17, COLOR: BEIGE.*
 *UL94 V-0 RATED AT QUALIFYING THICKNESS.

△ BULK PACKAGE.



PROTECTIVE COVER



CONNECTOR SUBASSEMBLY

△ 5504922-3
 PART NUMBER

DIMENSIONS: mm		TO: BRIGGS, 15JUL2005 C: MILLER, 15JUL2005 APPRO: S. BUCHTER, 15JUL2005		NAME S. BUCHTER	TITLE A200779	CASE CODE C-5504922	DRAWING NO. 5504922-3	RESTRICTED TO -
MATERIAL △ -		FINISH -		WEIGHT -		SCALE 8:1		SHEET 1 OF 1