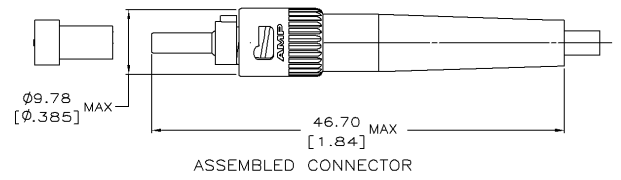
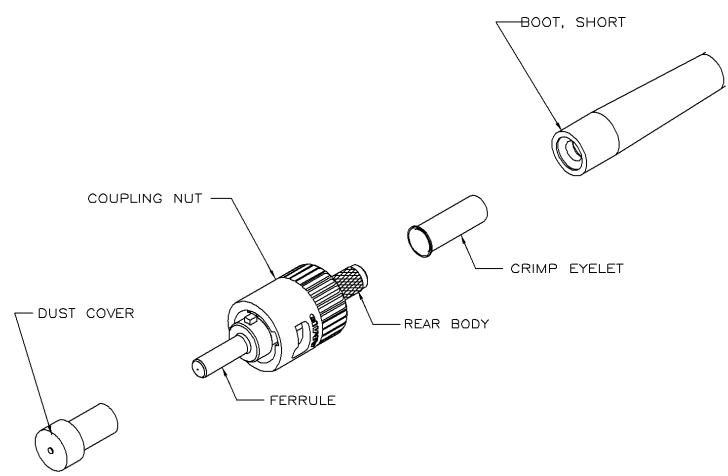


THIS DRAWING IS UNPUBLISHED. RELEASED FOR PUBLICATION
 © copyright BY TYCO ELECTRONICS CORPORATION. ALL INFORMATION RIGHTS RESERVED.

REVISONS		DATE	BY	APPD
D1	ADD NOTE 4	10MAR09	JZ	RZ



- △ MATERIAL:
 DUST COVER: POLYOLEFIN,COLOR,BLACK
 FERRULE: CERAMIC, COLOR, WHITE
 COUPLING NUT: THERMOPLASTIC, COLOR, BLACK
 REAR BODY: THERMOPLASTIC, COLOR, BLACK
 CRIMP EYELET: COPPER ALLOY
 SHORT BOOT: POLYOLEFIN

- △ FINISH:
 CRIMP EYELET: TIN PLATE

3. BULK PACKAGED
 4. INSTRUCTION SHEET: 408-9971 AVAILABLE FOR DOWNLOAD AT
www.tycoelectronics.com/documents OR www.ampnetconnect.com/foguide.

BLACK	125±2 μm	503569-2
-	125±2 μm	503569-1
COLOR SHORT BOOT	FIBER SIZE	PART NUMBER

THIS DRAWING IS A CONTROLLED DOCUMENT. DWG: W. DAVIS 10MAR02
 DESIGNED BY: S. BLUCHTER 10MAR02
 CHECKED BY: S. BLUCHTER 10MAR02

DIMENSIONS:	mm	0: PLC	1: PLC	2: PLC	3: PLC	4: PLC	ANGLE	FINISH	WEIGHT	SIZE	CAGE CODE	DRAWING NO	RESTRICTED TO
										A2	00779	503569	

Tyco Electronics Corporation
 Shanghai, China

CONNECTOR KIT, BAYONET, CERAMIC OVERMOLD

CUSTOMER DRAWING SCALE: 1:1 SHEET 1 of 1 REV 01

503569