

4

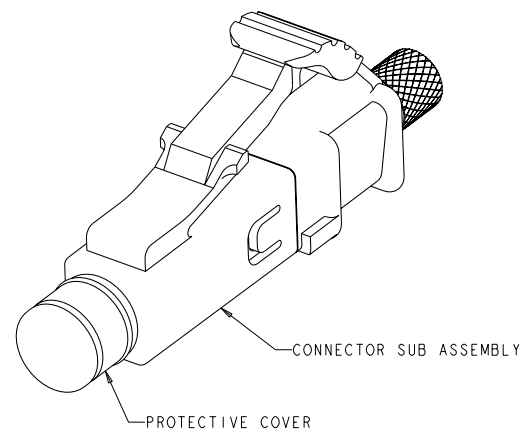
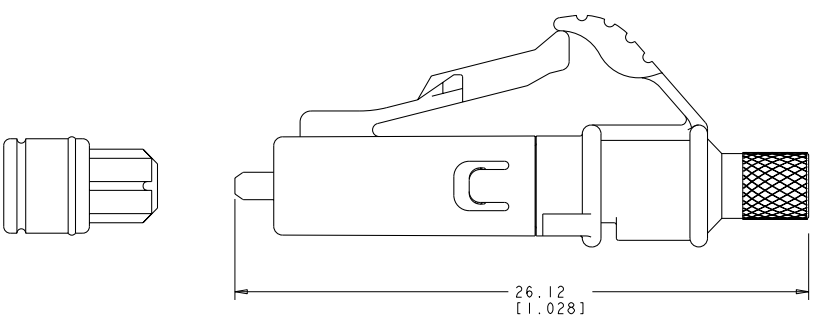
3

2

1

THIS DRAWING IS UNPUBLISHED. RELEASED FOR PUBLICATION BY TYCO ELECTRONICS CORPORATION. ALL RIGHTS RESERVED. COPYRIGHT 20

REV	DATE	BY	CHKD	APPROV
I	25APR2005	EJH	DR	
A	01MAR2006	BS	DR	



△ MATERIAL:
 PROTECTIVE COVER - TPE, BLACK, UL 94 V-0 *
 FERRULE SUB ASSEMBLY - ZIRCONIA/METAL
 COMPRESSION SPRING - STAINLESS STEEL
 FRONT HOUSING - PEI, BEIGE, UL 94 V-0 *
 INNER TUBING - PTFE, CLEAR, UL VW-1
 REAR BODY - PEI/METAL, BEIGE, UL 94 V-0 *

* RATED AT QUALIFYING THICKNESS

2. BULK PACKAGED.

6588240-1
PART NO

DIMENSIONS: mm (INCHES)		TO BE USED IN CONJUNCTION WITH THE FOLLOWING SPECIFICATIONS: DIMENSIONS: 0 PLC 00.1, 1 PLC 00.1, 2 PLC 00.01, 3 PLC 00.001, 4 PLC 00.0001, ANGLES 00.0001		DATE: 25APR2005 BY: HOPKINS CHKD: ROHDE APPR: 25APR2005	NAME: S. BUCHTER PRODUCT SPEC: APPLICATION SPEC: WEIGHT: FINISH:	TITLE: CONNECTOR SUB ASSEMBLY, L.C. MULTIMODE CASE CODE: A2 DRAWING NO: 00779 PART NO: 6588240	RESTRICTED TO:
MATERIAL: △				CUSTOMER DRAWING	SCALE: 8:1	SHEET 1 OF 1	