

4

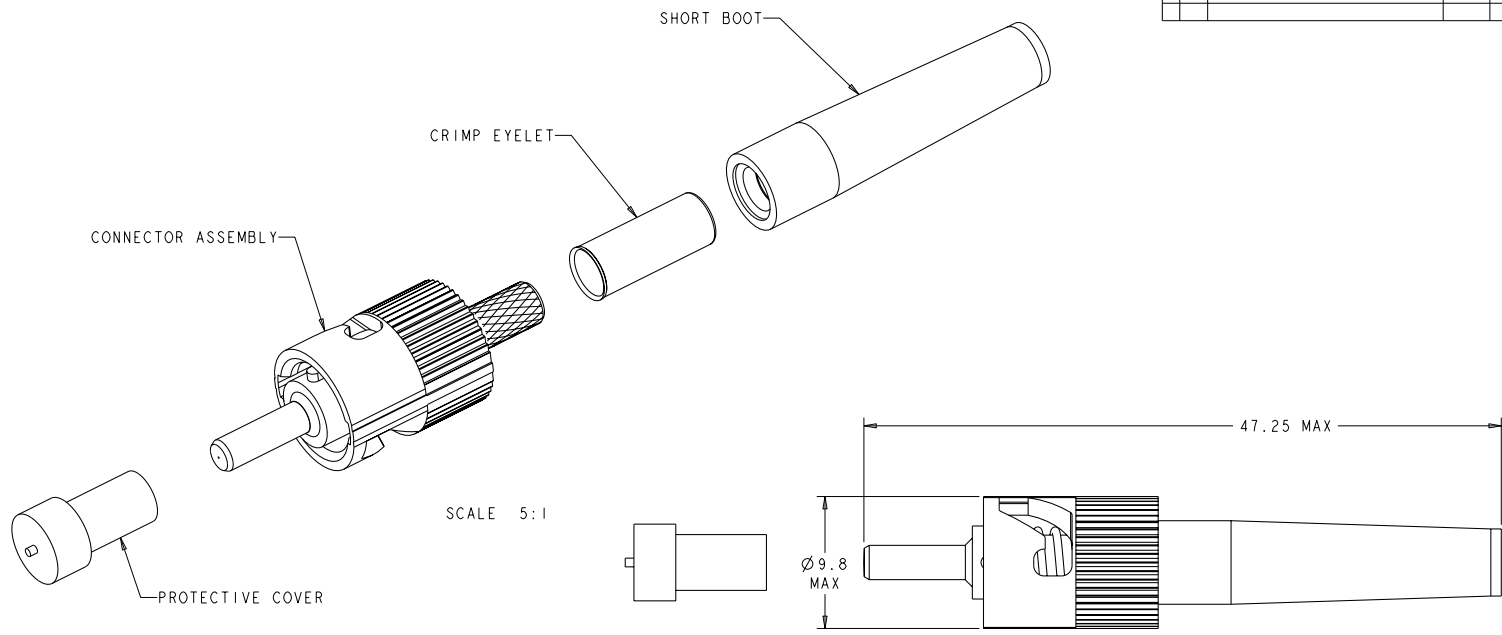
3

2

1

THIS DRAWING IS UNPUBLISHED. RELEASED FOR PUBLICATION BY TYCO ELECTRONICS CORPORATION. ALL RIGHTS RESERVED. COPYRIGHT 20

REV	DATE	BY	APPV
F	REVISE PER 0A00-0122-05	18MAR2005	BB SB
F1	ADD NOTE 3	04MAY05	JZ RZ



- △ MATERIAL:
- PROTECTIVE COVER: LDPE, COLOR: BLACK, NON-FR.
 - CONNECTOR ASSEMBLY
 - FERRULE ASSEMBLY: CERAMIC/ARP-GF30, COLOR: BLACK.*
 - SPRING: STAINLESS STEEL.
 - COUPLING NUT: ZINC.
 - RETENTION RING: STAINLESS STEEL.
 - CRIMP EYELET: TIN PLATED COPPER.
 - SHORT BOOT: TPE, COLOR: BLACK.*
 - *UL94 V-0 RATED AT QUALIFYING THICKNESS.

△ BULK PACKAGED.

3. INSTRUCTION SHEET: 408-9971 AVAILABLE FOR DOWNLOAD AT www.tycoelectronics.com/documents OR www.ampnetconnect.com/foguide.

ASSEMBLED CONNECTOR

125um	503677-2
125um	503677-1
FIBER SIZE	PART NUMBER

DIMENSIONS: mm		DWG: B. BRIGGS 18MAR2005 CHK: S. BUCHTER 18MAR2005 APPR: S. BUCHTER 18MAR2005	NAME: CONNECTOR KIT, OVERMOLDED CERAMIC, WITH METAL NUT, BAYONET PRODUCT SPEC: APPLICATION SPEC: WEIGHT: CUSTOMER DRAWING	TITLE: A200779 CASE CODE: C-503677 DRAWING NO: 503677 SCALE: 5:1	RESTRICTED TO:
MATERIAL:		TO: BRIGGS, ONLY	Tyco Electronics Corporation Shanghai, China	SHEET 1 OF 1	REV F 1