

4

3

2

1

THIS DRAWING IS UNPUBLISHED. RELEASED FOR PUBLICATION  
 BY TYCO ELECTRONICS CORPORATION. ALL RIGHTS RESERVED.

REV	DATE	BY	CHKD	APPROV
F	18DEC2005	DDE	CB	
F1	12MAR2009	BB	SB	
F2	08APR2009	KG	CB	

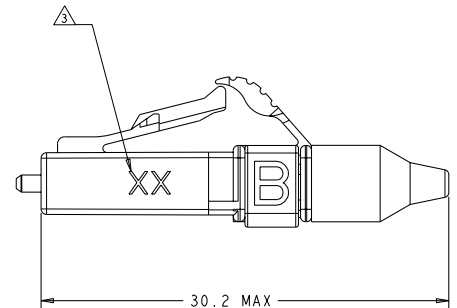
△ MATERIAL:  
 CONNECTOR ASSEMBLY:  
 CONNECTOR HOUSING: PPSU, COLOR: BEIGE \*  
 REAR BODY: METAL  
 COMPRESSION SPRING: METAL  
 FERRULE SUB ASSEMBLY: ZIRCONIA/ METAL  
 INTERNAL SPLICE: PEI \*  
 PLUNGER: METAL  
 BOOT: TPE, SEE TABLE FOR COLOR \*  
 BUILD-UP TUBE: POLYMER  
 TERMINATION COVER: PBT, COLOR: BLACK  
 PROTECTIVE COVER: VINYL, COLOR: RED  
 DUPLEX CLIP: PEI, COLOR: BLACK \*

\* UL94 V-0 RATED AT QUALIFYING THICKNESS.

2. INSTRUCTION SHEET: 408-8925 AVAILABLE FOR  
 DOWNLOAD AT [www.tycoelectronics.com/documents](http://www.tycoelectronics.com/documents)  
 OR [www.ampnetconnect.com/foguide](http://www.ampnetconnect.com/foguide).

△ MARK WITH "50" OR "62", LOCATED  
 APPROXIMATELY AS SHOWN.

BOOT



TUBING

PROTECTIVE COVER

CONNECTOR ASSEMBLY

COVER, TERMINATION

DUPLEX CLIP

**SUPERCEDED BY:**  
 6754485-4

BOOT COLOR	DESCRIPTION	PART NO.
AQUA	XG 50/125um	6754485-4
GRAY	XG 50/125um	6754485-3
BLACK	50/125um	6754485-2
BEIGE	62.5/125um	6754485-1

DATE: 14DEC2005	BY: D. IERDMAN	CHKD: M. GURRERI	APPROV: D. BAICHTLE	NAME: KIT, CONNECTOR, LightCrimp Plus LC
DATE: 13DEC2005	DATE: 14DEC2005	DATE: 14DEC2005	DATE: 14DEC2005	DATE: 14DEC2005
DIMENSIONS: mm				PRODUCT SPEC: APPLICATION SPEC
MATERIAL: -				WEIGHT: -
FINISH: -				RESTRICTED TO: -
CUSTOMER DRAWING				SCALE: 4:1 SHEET 1 OF 1 REV F2