

4

3

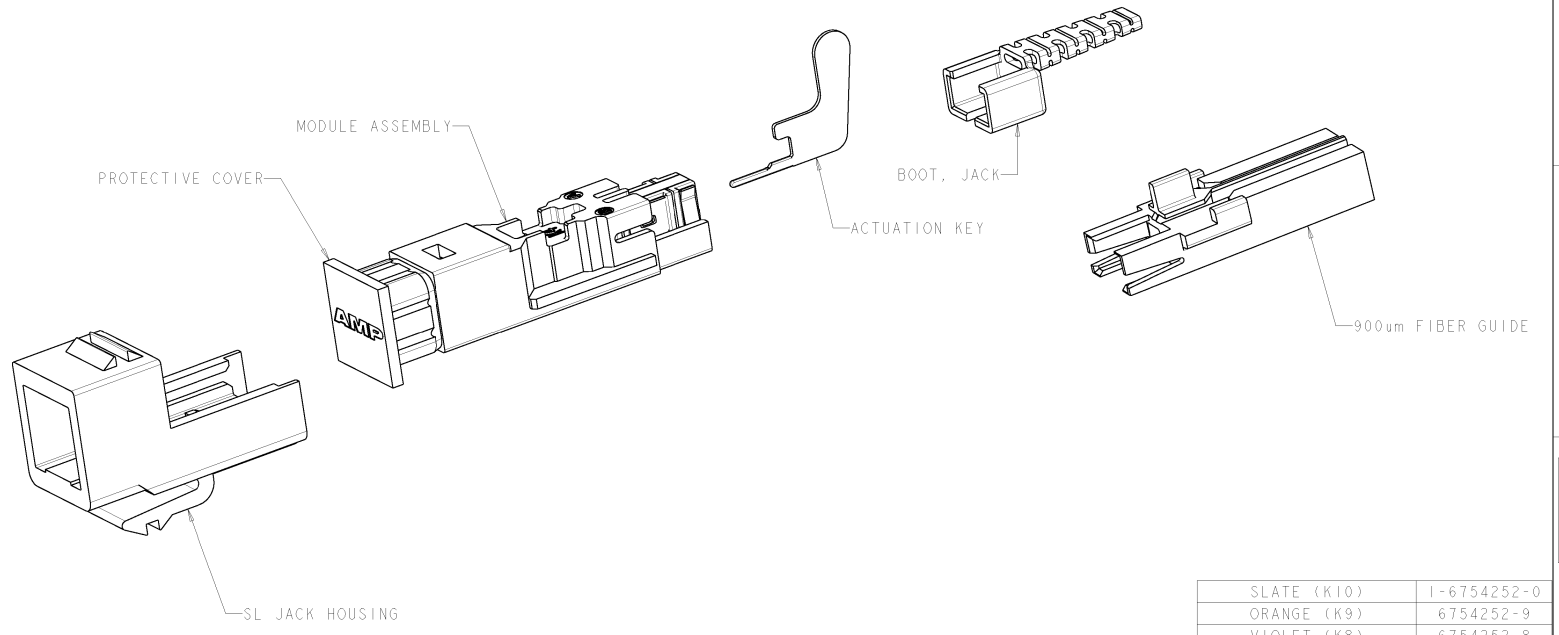
2

1

THIS DRAWING IS UNPUBLISHED. RELEASED FOR PUBLICATION BY TICO ELECTRONICS CORPORATION. ALL RIGHTS RESERVED.

REV	DATE	BY	CHKD	DESCRIPTION
A	10/28/04	BB	DK	REV PER ECR-06-003731

1. INSURE THAT THE WALL BOX IS AT LEAST 50.8mm (2.0 INCHES) DEEP, WHEN INSTALLING MT-RJ WORKSTATION JACK KIT.



SLATE (K10)	1-6754252-0
ORANGE (K9)	6754252-9
VIOLET (K8)	6754252-8
BROWN (K7)	6754252-7
AQUA (K6)	6754252-6
ROSE (K5)	6754252-5
BLUE (K4)	6754252-4
GREEN (K3)	6754252-3
YELLOW (K2)	6754252-2
RED (K1)	6754252-1
DESCRIPTION	PART NUMBER

DIMENSIONS: mm 		DWG: B. BRIGGS 02NOV2005 CHK: D. KIRSCH 02NOV2005 APP: S. BUCHTER 07NOV2005	<b>AMP</b> AMP Incorporated Harrisburg, PA 17105-3600
MATERIAL: - FINISH: -		PRODUCT SPEC: - APPLICATION SPEC: - WEIGHT: - CUSTOMER DRAWING	NAME: MT-RJ SECURE WORKSTATION JACK KIT, XG, 50/125, 900um SIZE: A2 CASE CODE: 100779 DRAWING NO: 6754252 RESTRICTED TO: - SCALE: 3:1 SHEET: 1 OF 1 REV: A

AMP 1471-0 REV 310402000  
PFA/ENGINEER DRAWING