

4

3

2

1

THIS DRAWING IS UNPUBLISHED. RELEASED FOR PUBLICATION  
 BY TYCO ELECTRONICS CORPORATION. ALL RIGHTS RESERVED.

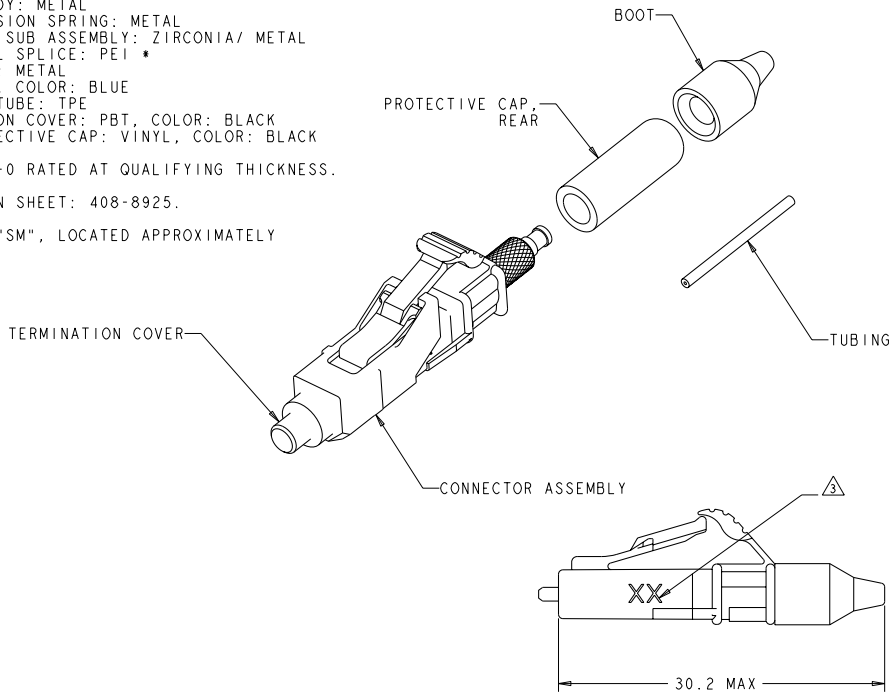
REV	DATE	BY	APP'D
B	ECR-08-031868	29DEC2008	KG SB

⚠ MATERIAL:  
 CONNECTOR ASSEMBLY:  
 CONNECTOR HOUSING: PPSU, COLOR: SEE -NO'S.\*  
 REAR BODY: METAL  
 COMPRESSION SPRING: METAL  
 FERRULE SUB ASSEMBLY: ZIRCONIA/ METAL  
 INTERNAL SPLICE: PEI \*  
 PLUNGER: METAL  
 BOOT: TPE, COLOR: BLUE  
 BUILD-UP TUBE: TPE  
 TERMINATION COVER: PBT, COLOR: BLACK  
 REAR PROTECTIVE CAP: VINYL, COLOR: BLACK

\* UL 94 V-0 RATED AT QUALIFYING THICKNESS.

2. INSTRUCTION SHEET: 408-8925.

⚠ MARK WITH "SM", LOCATED APPROXIMATELY AS SHOWN.



HOUSING COLOR	PART NO.
SLATE	1-1828856-0
ORANGE	1828856-9
VIOLET	1828856-8
BROWN	1828856-7
AQUA	1828856-6
ROSE	1828856-5
BLUE	1828856-4
GREEN	1828856-3
YELLOW	1828856-2
RED	1828856-1

DIMENSIONS: mm		TO MANUFACTURE TO THESE DIMENSIONS, CONTACT THE LOCAL OFFICE FOR THE LOCAL DEVICE.		DWG: D IERDMAN 11AUG05 CHK: M GURRETT 11AUG05 APP'D: D BAICHTLE 11AUG05	Tyco Electronics Harrisburg, PA 17105-3608
MATERIAL: ⚠ FINISH:		APPLICATION SPEC:		NAME: KIT, CONNECTOR, LightCrimp Plus LC SECURE, SIMPLEX, SM SIZE: A2 CASE CODE: 00779 DRAWING NO: 1828856	RESTRICTED TO:
CUSTOMER DRAWING		SCALE: 4:1		SHEET 1 OF 1 REV B	