

4

3

2

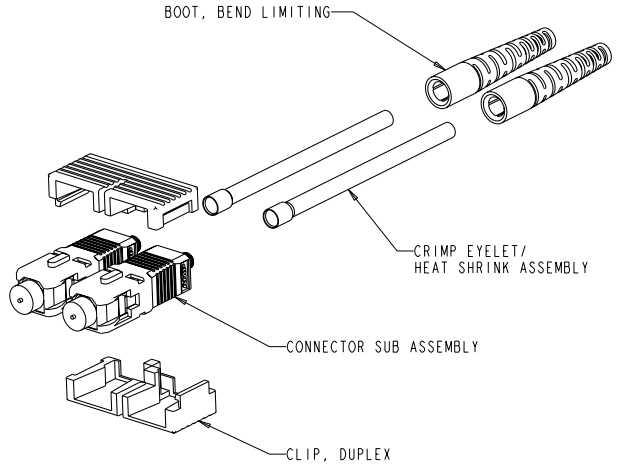
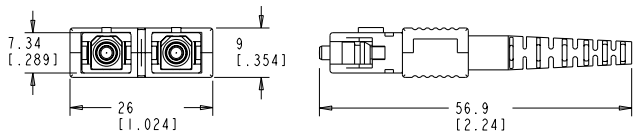
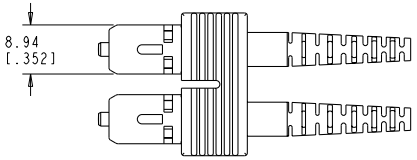
1

THIS DRAWING IS UNPUBLISHED. RELEASED FOR PUBLICATION BY TYCO ELECTRONICS CORPORATION. ALL RIGHTS RESERVED. COPYRIGHT 20

REV	DATE	BY	CHK	APPROV
A	31 JUL 2007	DHR	DHR	

△ MATERIAL: PROTECTIVE COVER: TPE, COLOR: BLACK, UL 94 HB. *
 FERRULE SUB ASSEMBLY: ZIRCONIA/METAL
 COMPRESSION SPRING: STAINLESS STEEL
 CONNECTOR HOUSING: PBT, COLOR: BEIGE, UL 94 V-0. *
 PLUG BODY: PAS, COLOR: BEIGE, UL 94 V-0. *
 REAR BODY: METAL
 BOOT: PP, COLOR: BEIGE, UL 94 V-0. *
 CRIMP EYELET/HEAT SHRINK ASSY: ALUM. ALLOY, HEAT SHRINK: POLYOLEFIN, UL VW-1.
 CLIP, DUPLEX, TP, COLOR: BLACK
 *RATED AT QUALIFYING THICKNESS.

△ BULK PACKAGED



△ 1828574-2
 1828574-1
 PART NUMBER

DIMENSIONS: mm(INCHES)		TO: BRANDS, DIVISIONS OPERATIVE SPECIFICATIONS		DWG: D. ERDMAN 19APE2005 CD: D. ROHDE 19APR2005 APP'D: B. EDWARDS 19APR2005	Tyco Electronics Harrisburg, PA 17105-3608
0 PLC 1 PLC 2 PLC 3 PLC 4 PLC ANGLES FINISH		00.1/1.0041 00.01/1.0041 *		PRODUCT SPEC APPLICATION SPEC WEIGHT CUSTOMER DRAWING	NAME: CONNECTOR KIT, SC, DUPLEX, MM, JUMPER, TIGHT JACKET STYLE, 1.6-2.0mm SHEET: A2 CASE CODE: 00779 DRAWING NO: 1828574 RESTRICTED TO:
MATERIAL:				SCALE: 3:1	SHEET: 1 OF 1 REV: A

AMP 1471-9 REV 3/04/2000
 PFA/ENGINEER DRAWING