

4

3

2

1

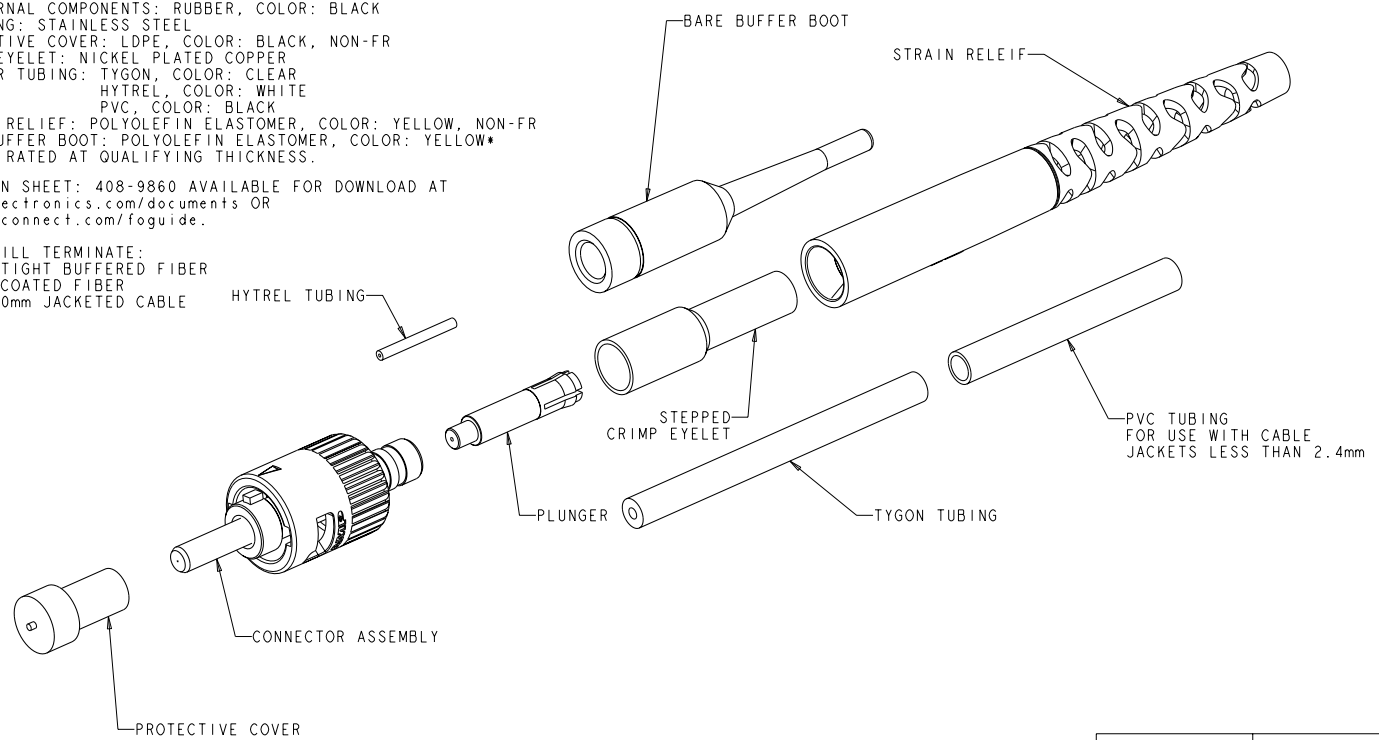
THIS DRAWING IS UNPUBLISHED. RELEASED FOR PUBLICATION BY TYCO ELECTRONICS CORPORATION. ALL RIGHTS RESERVED.

REV	DATE	BY	APPROV
A	08JUN2006	BB	LS
A1	12MAR2009	BB	SB

△ MATERIAL:
 CONNECTOR ASSEMBLY:
 REAR BODY: ALUMINUM ALLOY
 PLUNGER: ALUMINUM ALLOY
 FERRULE: CERAMIC
 COUPLING NUT: NICKEL PLATED ZINC
 INTERNAL COMPONENTS: RUBBER, COLOR: BLACK
 SPRING: STAINLESS STEEL
 PROTECTIVE COVER: LDPE, COLOR: BLACK, NON-FR
 CRIMP EYELET: NICKEL PLATED COPPER
 POLYMER TUBING: TYGON, COLOR: CLEAR
 HYTREL, COLOR: WHITE
 PVC, COLOR: BLACK
 STRAIN RELIEF: POLYOLEFIN ELASTOMER, COLOR: YELLOW, NON-FR
 BARE BUFFER BOOT: POLYOLEFIN ELASTOMER, COLOR: YELLOW*
 *UL94 V-0 RATED AT QUALIFYING THICKNESS.

2. INSTRUCTION SHEET: 408-9860 AVAILABLE FOR DOWNLOAD AT
www.tycoelectronics.com/documents OR
www.ampnetconnect.com/foguide.

3. THIS KIT WILL TERMINATE:
 900um TIGHT BUFFERED FIBER
 250um COATED FIBER
 2.0-3.0mm JACKETED CABLE



0.8-1.0mm	5504000-1
BUFFER SIZE	PART NUMBER

DIMENSIONS: mm 	TO MANUFACTURE: DIMENSIONS: mm 	DATE: 02DEC2005 BY: B. BRIGGS CHECKED: L. SAUERWEIN APPROVED: S. BUCHTER	NAME: CONNECTOR KIT, XTC, 125um, CERAMIC, SINGLEMODE TITLE: CUSTOMER DRAWING SCALE: 5:1 SHEET: 1 OF 1 REV: A1	Tyco Electronics Harrisburg, PA 17105-3608	RESTRICTED TO: -
-----------------------	--	---	---	---	------------------