

4

3

2

1

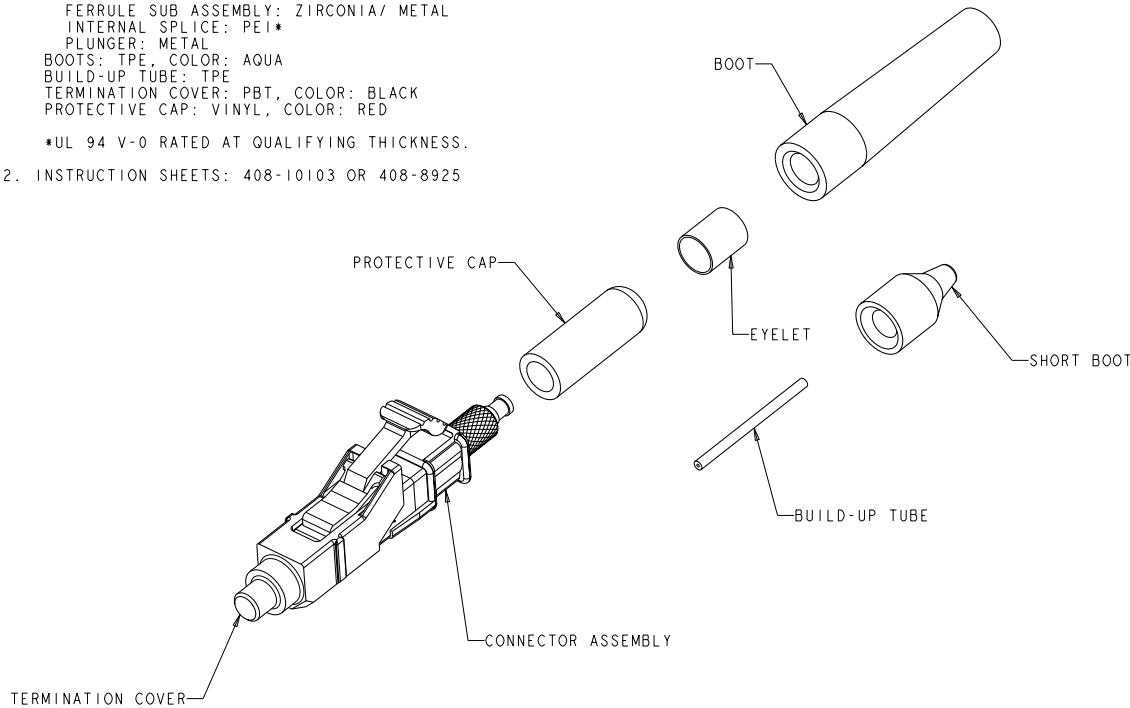
THIS DRAWING IS UNPUBLISHED. RELEASED FOR PUBLICATION BY TYCO ELECTRONICS CORPORATION. ALL RIGHTS RESERVED. COPYRIGHT 20

REV	DATE	BY	APP'D
1	01APR2008	BB	CB
2	07JAN2009	BB	CB

MATERIAL:
 CONNECTOR ASSEMBLY:
 CONNECTOR HOUSING: PPSU, COLOR: SEE -NO'S.*
 REAR BODY: METAL
 COMPRESSION SPRING: METAL
 FERRULE SUB ASSEMBLY: ZIRCONIA/ METAL
 INTERNAL SPLICE: PEI*
 PLUNGER: METAL
 BOOTS: TPE, COLOR: AQUA
 BUILD-UP TUBE: TPE
 TERMINATION COVER: PBT, COLOR: BLACK
 PROTECTIVE CAP: VINYL, COLOR: RED

*UL 94 V-0 RATED AT QUALIFYING THICKNESS.

2. INSTRUCTION SHEETS: 408-10103 OR 408-8925



SLATE	1-1985960-0
ORANGE	1985960-9
VIOLET	1985960-8
BROWN	1985960-7
AQUA	1985960-6
ROSE	1985960-5
BLUE	1985960-4
GREEN	1985960-3
YELLOW	1985960-2
RED	1985960-1
KEYED HOUSING COLOR	PART NO.

DIMENSIONS: mm 		TO DIMENSIONS UNLESS OTHERWISE SPECIFIED. DIMENSIONS IN PARENTHESES ONLY.		DWG: B. BRIGGS 01APR2008 CHK: C. BENNETT 01APR2008 APP'D: S. BUCHTER 01APR2008	Tyco Electronics Harrisburg, PA 17105-3608
MATERIAL:		FINISH: -		NAME: KIT, CONNECTOR, LightCrimp Plus LC SECURE, SIMPLEX, MM50XG, 250um-2.0mm JACKET	SHEET: A2 CASE CODE: 00779 DRAWING NO: 1985960
WEIGHT: -		CUSTOMER DRAWING		SCALE: 4:1	SHEET 1 OF 2 REV 2