

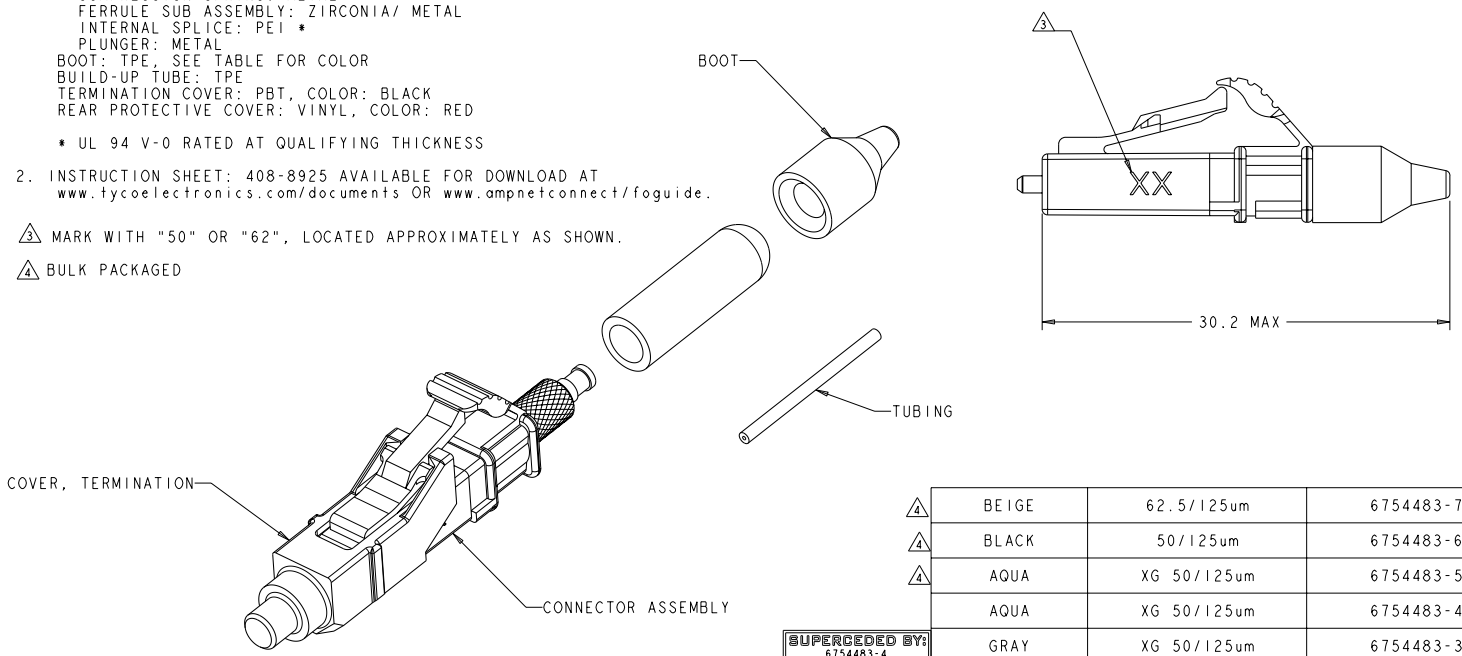
THIS DRAWING IS UNPUBLISHED. RELEASED FOR PUBLICATION BY - ALL RIGHTS RESERVED.

LOC	DISP	REVISIONS					
CE	00	P	LYR	DESCRIPTION	DATE	BY	APPR
		F		CHANGE BULK PACKAGING	21MAR2011	DLF	CB

⚠ MATERIAL:  
 CONNECTOR ASSEMBLY:  
 CONNECTOR HOUSING: PPSU, COLOR: BEIGE \*  
 REAR BODY: METAL  
 COMPRESSION SPRING: METAL  
 FERRULE SUB ASSEMBLY: ZIRCONIA/ METAL  
 INTERNAL SPLICE: PEI \*  
 PLUNGER: METAL  
 BOOT: TPE, SEE TABLE FOR COLOR  
 BUILD-UP TUBE: TPE  
 TERMINATION COVER: PBT, COLOR: BLACK  
 REAR PROTECTIVE COVER: VINYL, COLOR: RED  
 \* UL 94 V-0 RATED AT QUALIFYING THICKNESS

2. INSTRUCTION SHEET: 408-8925 AVAILABLE FOR DOWNLOAD AT [www.tycoelectronics.com/documents](http://www.tycoelectronics.com/documents) OR [www.ampnetconnect/foguide](http://www.ampnetconnect/foguide).

⚠ MARK WITH "50" OR "62", LOCATED APPROXIMATELY AS SHOWN.  
 ⚠ BULK PACKAGED



**SUPERCEDED BY:**  
6754483-4

⚠	BEIGE	62.5/125um	6754483-7
⚠	BLACK	50/125um	6754483-6
⚠	AQUA	XG 50/125um	6754483-5
	AQUA	XG 50/125um	6754483-4
	GRAY	XG 50/125um	6754483-3
	BLACK	50/125um	6754483-2
	BEIGE	62.5/125um	6754483-1
	BOOT COLOR	DESCRIPTION	PART NO.

THIS DRAWING IS A CONTROLLED DOCUMENT.

DESIGNED BY: D. IERDMAN	24DEC2005	TE Connectivity
CHECKED BY: M. GURRER	24DEC2005	
APPROVED BY: BAECHTLE	24DEC2005	

NAME: KIT, CONNECTOR, LightCrimp Plus LC  
SIMPLEX, MM 250-900um BUFFER

DIMENSIONS: mm	0 PLC #0	1 PLC #0.5	2 PLC #0.13	3 PLC #0.013	4 PLC #0.008	FINISH
MATERIAL	CUSTOMER DRAWING					

SIZE: A2 CASE CODE: 00779 DRAWING NO: 6754483

RESTRICTED TO: -

SCALE: 5:1 SHEET 1 OF 1 REV F