

4

3

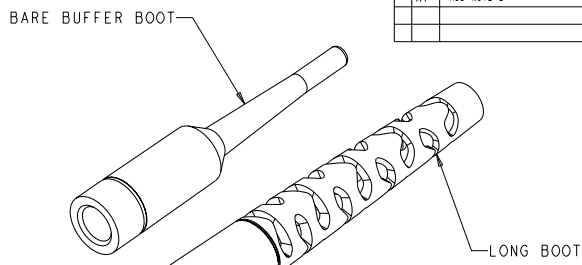
2

1

THIS DRAWING IS UNPUBLISHED. RELEASED FOR PUBLICATION
 BY TYCO ELECTRONICS CORPORATION. ALL RIGHTS RESERVED.

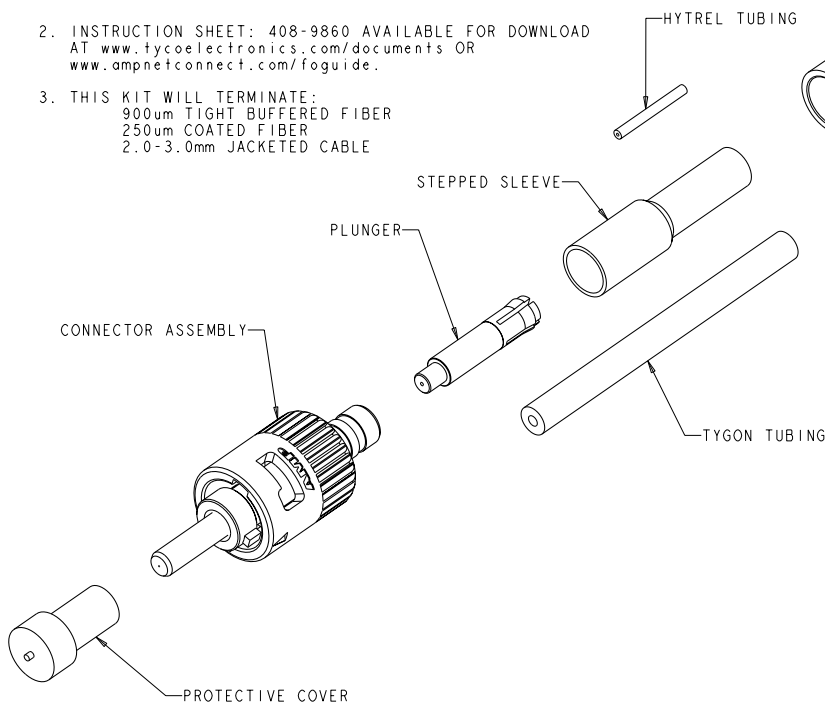
REV	DATE	BY	APPV
A	08JUN2005	BB	LS
A1	13MAR2009	BB	SB

MATERIAL:
 CONNECTOR ASSY
 REAR BODY: ALUMINUM ALLOY
 PLUNGER: ALUMINUM ALLOY
 FERRULE: CERAMIC
 COUPLING NUT: ZINC, NICKEL PLATED
 INTERNAL COMPONENTS: RUBBER, COLOR: BLACK
 SPRING: STAINLESS STEEL
 PROTECTIVE COVER: LDPE, COLOR: BLACK, NON-FR
 CRIMP EYELET: COPPER, NICKEL PLATED
 POLYMER TUBING: TYGON, COLOR: CLEAR
 HYTREL, COLOR: WHITE
 PVC, COLOR: BLACK
 STRAIN RELIEF: POLYOLEFIN ELASTOMER, COLOR: BLACK, NON-FR
 BOOT: POLYOLEFIN ELASTOMER, COLOR: BLACK*
 *UL94 V-0 RATED AT QUALIFYING THICKNESS.



2. INSTRUCTION SHEET: 408-9860 AVAILABLE FOR DOWNLOAD
 AT www.tycoelectronics.com/documents OR
www.ampnetconnect.com/foguide.

3. THIS KIT WILL TERMINATE:
 900um TIGHT BUFFERED FIBER
 250um COATED FIBER
 2.0-3.0mm JACKETED CABLE



FIBER SIZE	BUFFER SIZE	PART NUMBER
125um	250um/0.8-1.0mm	5504001-1

DIMENSIONS: mm 	TO BE CHECKED BY: 0 PLC 1 PLC 2 PLC 3 PLC 4 PLC ANGLES FINISH	DATE: 20JUN2005 BY: B. BRIGGS DATE: 20JUN2005 BY: L. SAUERWEIN DATE: 20JUN2005 BY: S. BUCHTER	Tyco Electronics Harrisburg, PA 17105-3608 CONNECTOR KIT, XTC, 125um, CERAMIC, MULTIMODE	SHEET: A2 CASE CODE: 00779 DRAWING NO: C-5504001	RESTRICTED TO: -
CUSTOMER DRAWING			SCALE: 4:1	SHEET 1 OF 1	REV: A1