

4

3

2

1

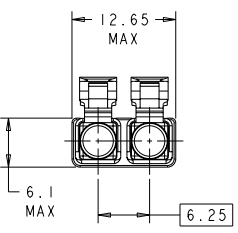
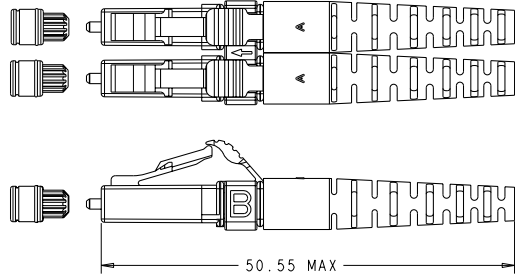
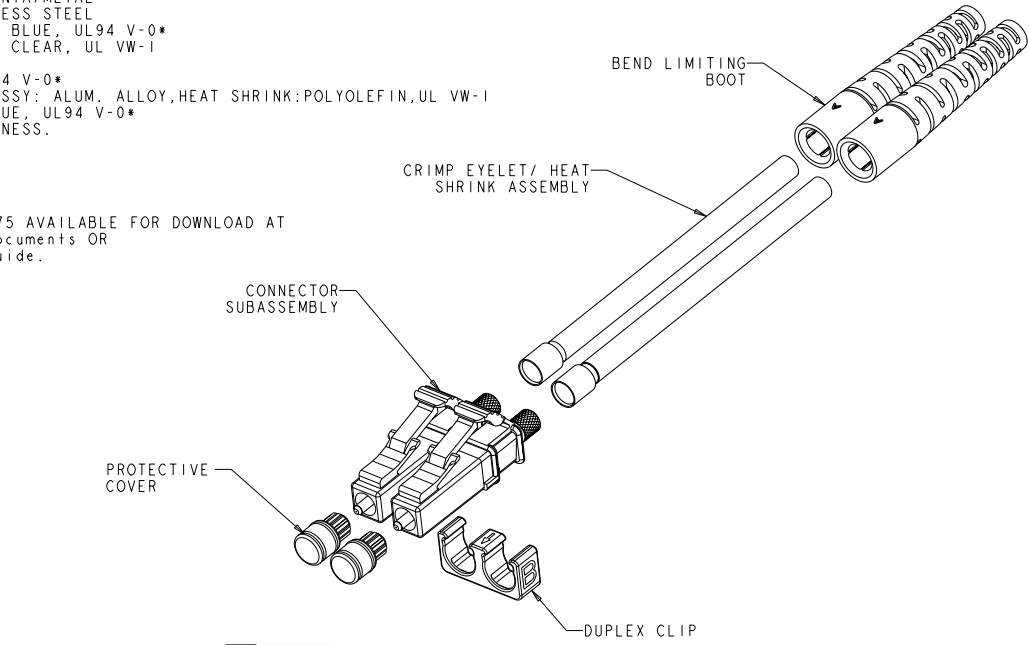
THIS DRAWING IS UNPUBLISHED. RELEASED FOR PUBLICATION. BY TYCO ELECTRONICS CORPORATION. ALL INTERNATIONAL RIGHTS RESERVED.

REV	DATE	BY	CHKD	APPROV
F	02SEP2009	DLF	CB	
G	02JUN2010	LL	CT	

**MATERIAL**  
 PROTECTIVE COVER: TPE, COLOR: BLACK, UL94 HB\*  
 OR PP, COLOR: WHITE, UL 94HB\*  
 FERRULE SUBASSEMBLY: ZIRCONIA/METAL  
 COMPRESSION SPRING: STAINLESS STEEL  
 FRONT HOUSING: PEI, COLOR: BLUE, UL94 V-0\*  
 INNER TUBING: PTFE, COLOR: CLEAR, UL VW-1  
 REAR BODY: METAL  
 BOOT: PP, COLOR: BLUE, UL94 V-0\*  
 CRIMP EYELET/HEAT SHRINK ASSY: ALUM. ALLOY, HEAT SHRINK: POLYOLEFIN, UL VW-1  
 DUPLEX CLIP: PP, COLOR: BLUE, UL94 V-0\*  
 \*RATED AT QUALIFYING THICKNESS.

**BULK PACKAGED.**

3. INSTRUCTION SHEET: 408-8675 AVAILABLE FOR DOWNLOAD AT [www.tycoelectronics.com/documents](http://www.tycoelectronics.com/documents) OR [www.ampnetconnect.com/foguide](http://www.ampnetconnect.com/foguide).



△	YELLOW	1919372-4
△	YELLOW/WHITE	1918372-3
△	YELLOW	1918372-2
△	YELLOW	1918372-1
	HEAT SHRINK COLOR	PART NUMBER

DIMENSIONS: mm 0 PLC ± 1 PLC ± 2 PLC ± 3 PLC ± 4 PLC ± ANGLES ± MATERIAL △ FINISH -	TO BE SPECIFIED BY CUSTOMER DIMENSIONS: mm 0 PLC ± 1 PLC ± 2 PLC ± 3 PLC ± 4 PLC ± ANGLES ± MATERIAL △ FINISH -	DWG: B. BRIGGS 24APR2006 CD: D. RÖHDE 24APR2006 APD: D. BAICHTLE 24APR2006 APPLICATION SPEC WEIGHT CUSTOMER DRAWING	Tyco Electronics Corporation Shanghai, China NAME: KIT, CONNECTOR, LC, DUPLEX, SM, 1.6-2.0mm JACKET SIZE: A2 CASE CODE: - DRAWING NO: ©-1918372 RESTRICTED TO: - SCALE: 3:1 SHEET: 1 OF 1 REV: G
--	---	--	---