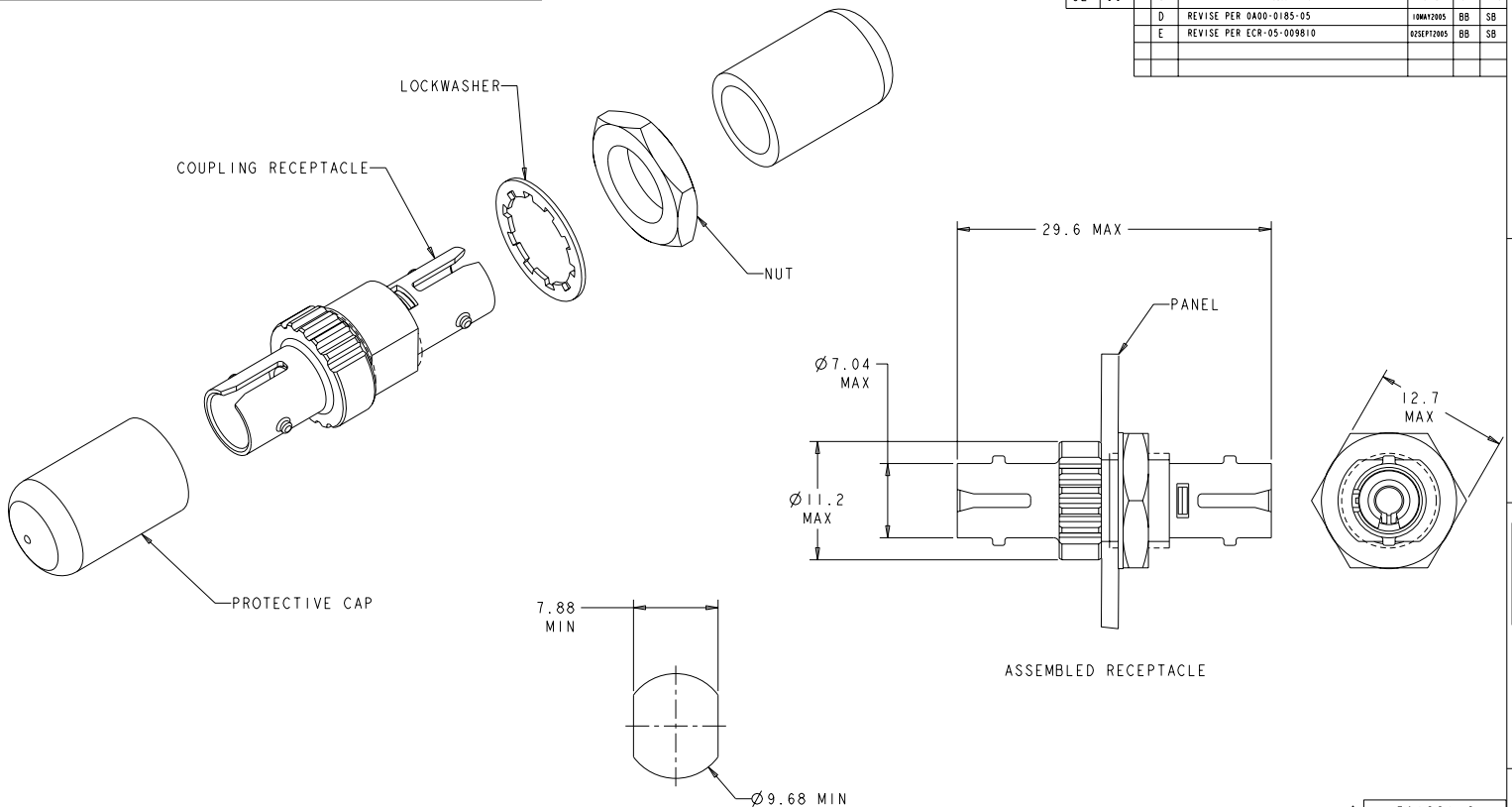


THIS DRAWING IS UNPUBLISHED. RELEASED FOR PUBLICATION
 BY TYCO ELECTRONICS CORPORATION. ALL RIGHTS RESERVED.

REVOLUTIONS		DATE	BY	APPD
D	REVISE PER DA00-0185-05	10MAY2005	BB	SB
E	REVISE PER ECR-05-009810	02SEPT2005	BB	SB



MATERIAL:
 PROTECTIVE CAP: VINYL
 LOCKWASHER: STAINLESS STEEL
 NUT: NICKEL PLATED BRASS
 COUPLING RECEPTACLE
 HOUSING: ZINC
 RETAINER: PBT, COLOR: WHITE, UL94 V-0 RATED AT QUALIFYING THICKNESS.
 SLEEVE: PPS-GF40, COLOR: BLACK, UL94 V-0 RATED AT QUALIFYING THICKNESS.

BULK PACKAGE.

501381-2
501381-1
PART NUMBER

D. BRIGGS, 10MAY2005		Tyco Electronics	
S. BUCHTER, 10MAY2005		Harrisburg, PA 17105-3600	
S. BUCHTER, 10MAY2005		NAME	
APPLICATION SPEC		COUPLING RECEPTACLE KIT, 2.5mm BAYONET	
MATERIAL		SIZE	CAGE CODE
CUSTOMER DRAWING		A200779	501381
RESTRICTED TO		SCALE	4:1
SHEET		OF 1	