

4

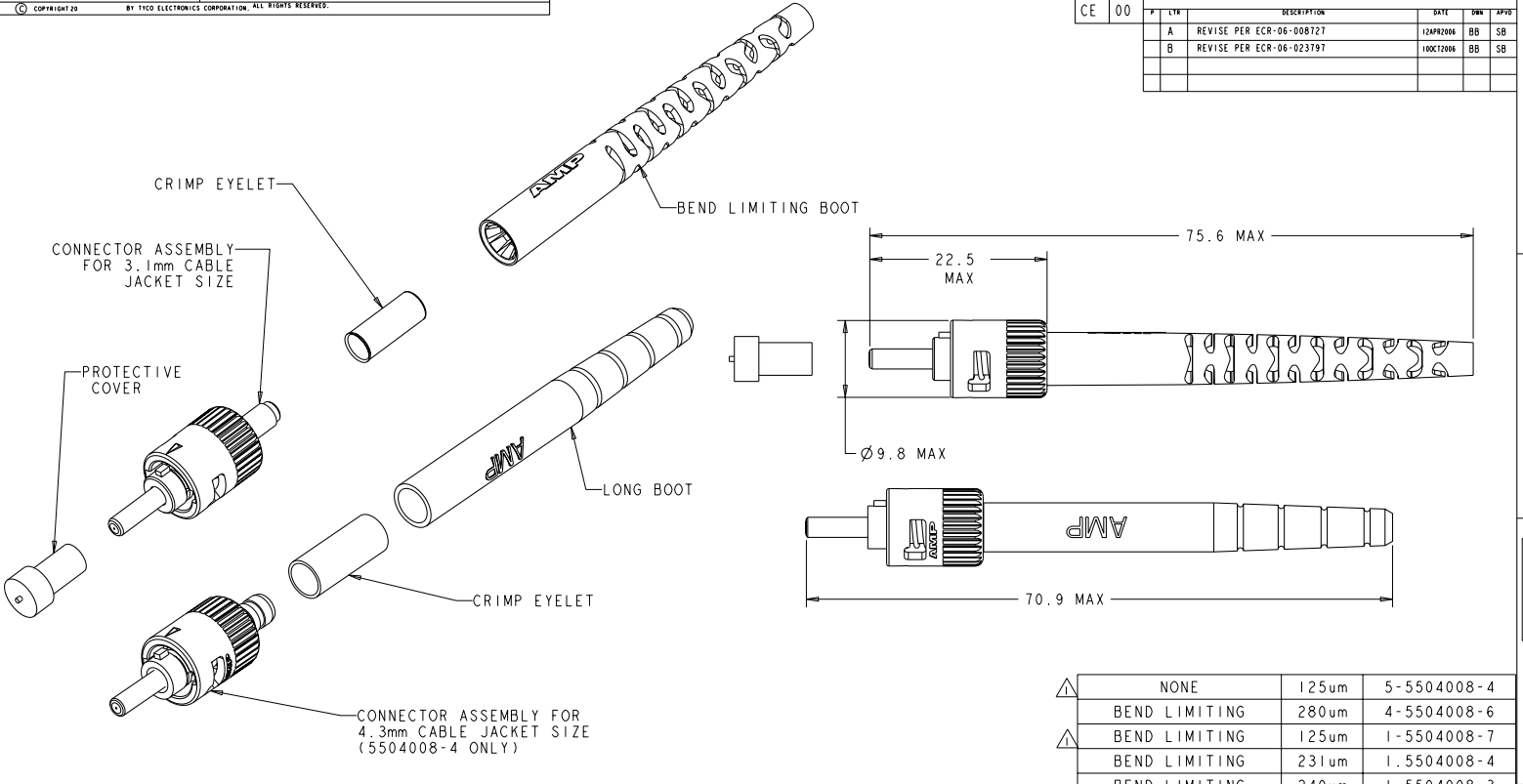
3

2

1

THIS DRAWING IS UNPUBLISHED. RELEASED FOR PUBLICATION BY TYCO ELECTRONICS CORPORATION. ALL RIGHTS RESERVED. COPYRIGHT 20

REV	DATE	BY	CHKD	APPROV
A	12APR2006	BB	SB	
B	10X12006	BB	SB	



- ▲ BULK PACKAGE.
- ▲ MATERIAL:  
 PROTECTIVE COVER: LDPE, COLOR: BLACK, NON-FR.  
 CONNECTOR ASSY  
 FERRULE ASSY: STAINLESS STEEL/NICKEL PLATED BRASS.  
 SPRING: STAINLESS STEEL.  
 COUPLING NUT: ZINC.  
 RETENTION RING: STAINLESS STEEL.  
 3.1mm CRIMP EYELET: TIN PLATED COPPER.  
 LONG AND BEND LIMITING BOOTS: TPE, COLOR: BLACK, UL94 V-0 RATED AT AT QUALIFYING THICKNESS.  
 4.3mm CRIMP EYELET: NICKEL PLATED BRASS

▲	NONE	125um	5-5504008-4
▲	BEND LIMITING	280um	4-5504008-6
▲	BEND LIMITING	125um	1-5504008-7
	BEND LIMITING	231um	1.5504008-4
	BEND LIMITING	240um	1-5504008-3
	BEND LIMITING	140um	5504008-7
	LONG	125um	5504008-4
	BEND LIMITING	125um	5504008-3
	BOOT	HOLE SIZE	PART NUMBER

OWN	B. BRIGGS	29JUN2005	TYCO ELECTRONICS
CHK	S. BUCHTER	29JUN2005	HARRISBURG, PA 17105-3608
APPD	S. BUCHTER	29JUN2005	
PRODUCT SPEC	CONNECTOR KIT, SST, 2.5mm BAYONET		
APPLICATION SPEC	SIZE	CASE CODE	DRAWING NO
WEIGHT	A200779	5504008	
MATERIAL	CUSTOMER DRAWING		RESTRICTED TO
FINISH	SCALE	3:1	SHEET 1 OF 1 REV B