

4 3 2 1

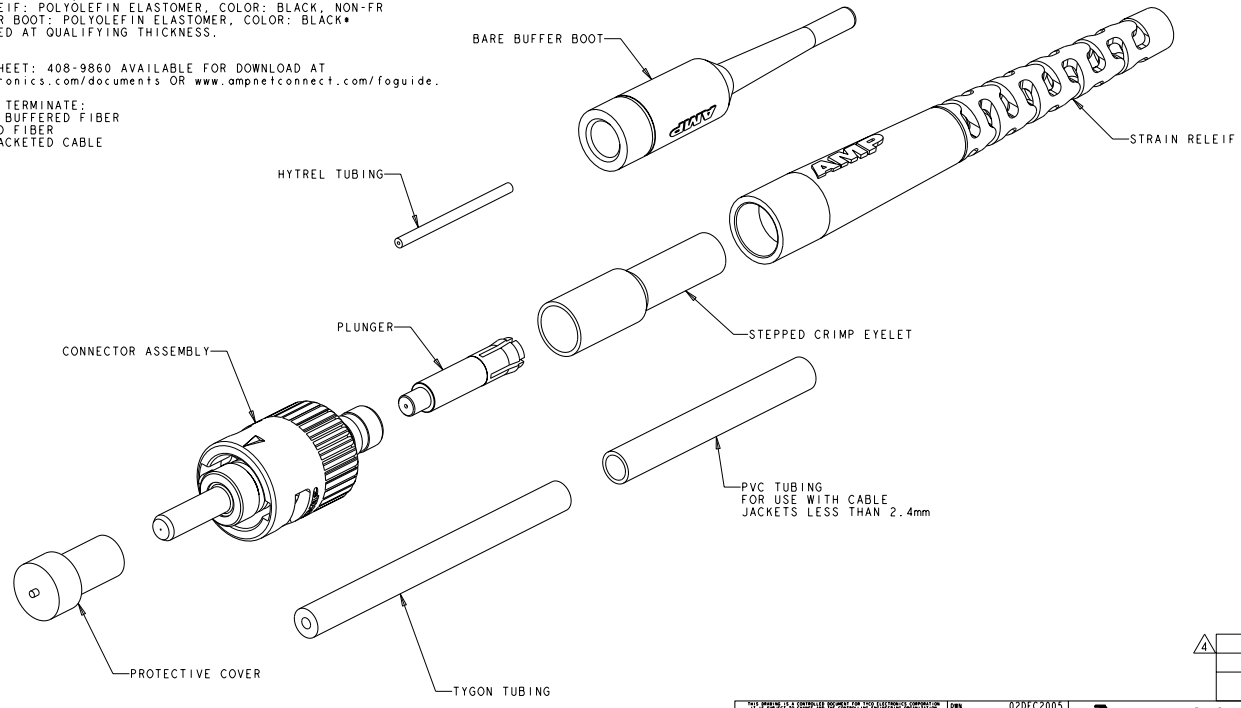
THIS DRAWING IS UNPUBLISHED. RELEASED FOR PUBLICATION BY TYCO ELECTRONICS CORPORATION. ALL RIGHTS RESERVED. COPYRIGHT 20

REV	DATE	BY	APPD
A1	13MAR2009	BB	SB

**MATERIAL:**  
**CONNECTOR ASSEMBLY:**  
 REAR BODY: GLASS FILLED POLYESTER, PBT  
 PLUNGER: ALUMINUM ALLOY  
 FERRULE: MINERAL FILLED PAS\*  
 COUPLING NUT: NICKEL PLATED ZINC  
 INTERNAL COMPONENTS: RUBBER, COLOR: BLACK  
 SPRING: STAINLESS STEEL  
 PROTECTIVE COVER: LDPE, COVER: BLACK, NON-FR  
 STEPPED CRIMP EYELET: NICKEL PLATED COPPER  
 POLYMER TUBING: TYGON, COLOR: CLEAR  
 HYTREL, COLOR: WHITE  
 PVC, COLOR: BLACK  
 STRAIN RELIEF: POLYOLEFIN ELASTOMER, COLOR: BLACK, NON-FR  
 BARE BUFFER BOOT: POLYOLEFIN ELASTOMER, COLOR: BLACK\*  
 \*UL94 V-0 RATED AT QUALIFYING THICKNESS.

- INSTRUCTION SHEET: 408-9860 AVAILABLE FOR DOWNLOAD AT [www.tycoelectronics.com/documents](http://www.tycoelectronics.com/documents) OR [www.ampnetconnect.com/foGUIDE](http://www.ampnetconnect.com/foGUIDE).
- THIS KIT WILL TERMINATE:  
 900um TIGHT BUFFERED FIBER  
 250um COATED FIBER  
 2.0-3.0mm JACKETED CABLE

**BULK PACKAGE.**



5492168-2
5492168-1
PART NO

DIMENSIONS: mm TO DIMENSIONS UNLESS OTHERWISE SPECIFIED		DWG: B. BRIGGS 02DEC2005 CHK: L. SAUERWEIN 02DEC2005 APPD: S. BUCHTER 02DEC2005	Tyco Electronics Harrisburg, PA 17105-3608
MATERIAL:		PRODUCT SPEC: APPLICATION SPEC: WEIGHT: FINISH:	NAME: S. BUCHTER CONN. KIT, LightCrimp NeXTC, 125um SHEET: A200779 CASE CODE: C=5492168 DRAWING NO: RESTRICTED TO:
CUSTOMER DRAWING		SCALE: 4:1	SHEET 1 OF 1 REV A1

AMP 1471-9 REV 31MAR2009  
 P: ENGINEER DRAWING