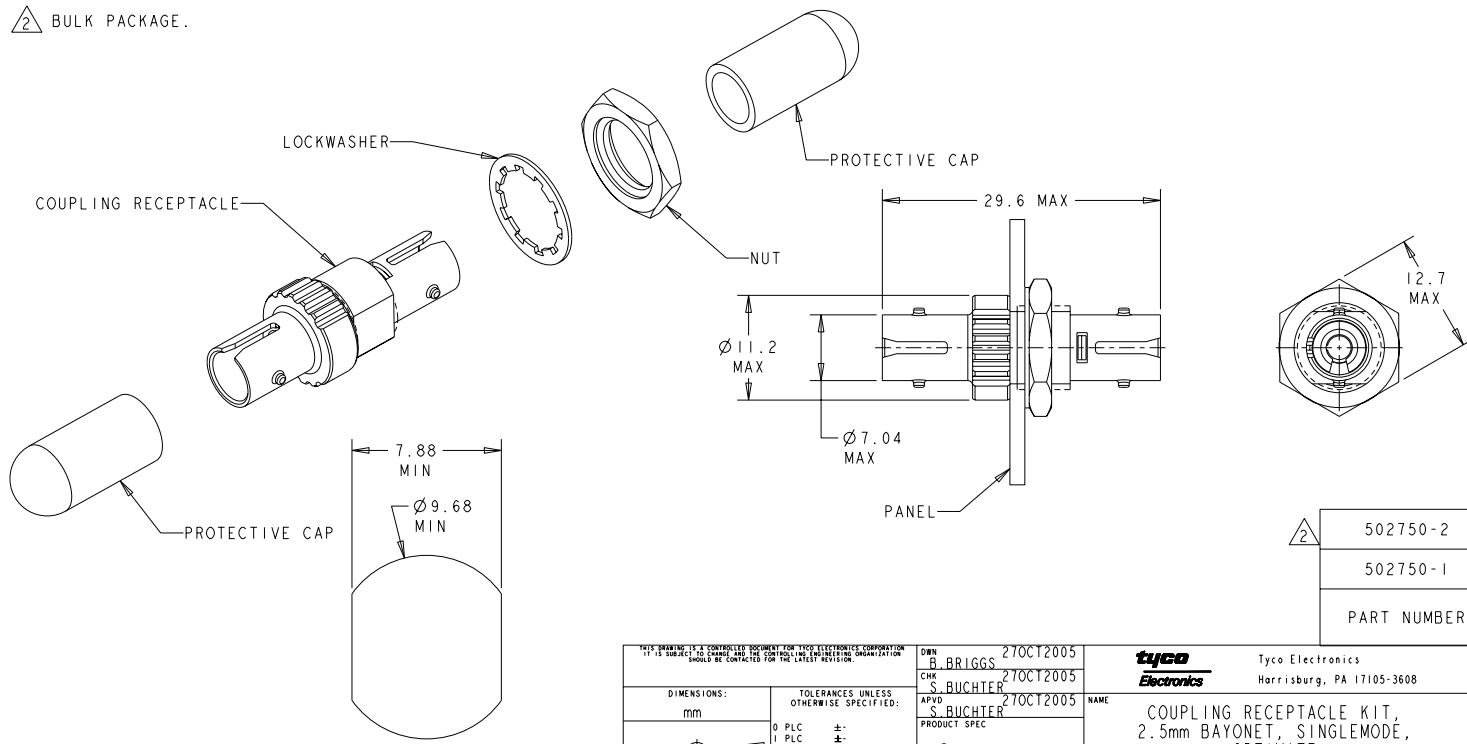


THIS DRAWING IS UNPUBLISHED. RELEASED FOR PUBLICATION
 © COPYRIGHT 20 BY TYCO ELECTRONICS CORPORATION, ALL RIGHTS RESERVED.

LOC	DIST	REVISIONS				
P	LTR	DESCRIPTION	DATE	DWN	APVD	
	C	REVISE PER ECR-05-013728	27OCT2005	BB	SB	

1 MATERIAL:
 PROTECTIVE CAP: VINYL
 LOCKWASHER: STAINLESS STEEL
 NUT: NICKEL PLATED BRASS
 COUPLING RECEPTACLE:
 HOUSING: ZINC
 RETAINER: PBT, COLOR: WHITE, UL94 V-0 RATED AT QUALIFYING THICKNESS
 SLEEVE: CERAMIC

2 BULK PACKAGE.



2	502750-2
	502750-1
	PART NUMBER

<small>THIS DRAWING IS A CONTROLLED DOCUMENT FOR TYCO ELECTRONICS CORPORATION IT IS SUBJECT TO CHANGE AND THE CONTROLLING AUTHORITY ORGANIZATION SHOULD BE CONTACTED FOR THE LATEST REVISION.</small>		DWN B. BRIGGS 27OCT2005 CHK S. BUCHTER 27OCT2005 APVD S. BUCHTER 27OCT2005	tyco Electronics Tyco Electronics Harrisburg, PA 17105-3608
DIMENSIONS: mm	TOLERANCES UNLESS OTHERWISE SPECIFIED: 0 PLC ± 1 PLC ± 2 PLC ± 3 PLC ± 4 PLC ± ANGLES ± FINISH -	NAME PRODUCT SPEC APPLICATION SPEC WEIGHT	COUPLING RECEPTACLE KIT, 2.5mm BAYONET, SINGLEMODE, OPTIMATE
MATERIAL - FINISH -	RESTRICTED TO	SIZE A3 CAGE CODE 00779 DRAWING NO. C=502750	SCALE 5:2 SHEET 1 OF 1 REV C
CUSTOMER DRAWING		CUSTOMER DRAWING	

SUGGESTED PANEL
 CUTOUT
 SCALE 5:1