

4

3

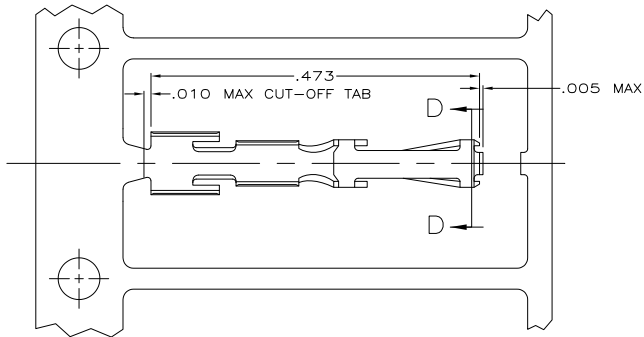
M50

2

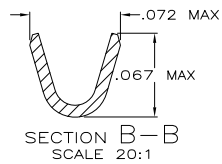
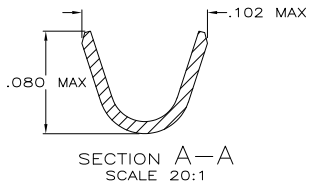
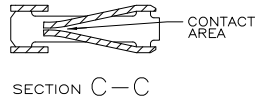
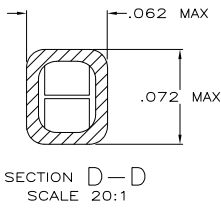
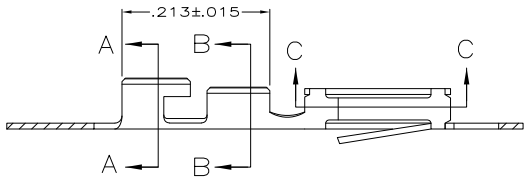
1

THIS DRAWING IS UNPUBLISHED. RELEASED FOR PUBLICATION  
 © COPYRIGHT BY TYCO ELECTRONICS CORPORATION. ALL INTERNATIONAL RIGHTS RESERVED.

LOC		DIBT		REVISIONS			
P	LTR	DESCRIPTION	DATE	BY	APPD		
GP	00						
	L	REVISED PER ECO-09-001588	25JUN2009	CJV	CWR		



- △ FOR MINI APPLICATOR
- △ FINISH: GOLD FLASH ALL OVER .000015 THK GOLD ON LOCALIZED CONTACT PLATING AREA OVER .000050 MIN THK NICKEL ON ENTIRE CONTACT, -OR- .000050 MIN THK NICKEL UNDERPLATE ON ENTIRE CONTACT, GOLD FLASH OVER PALLADIUM-NICKEL, .000015 MIN TOTAL THK ON LOCALIZED CONTACT PLATING AREA AND GOLD FLASH OVER REMAINDER OF CONTACT.
- 3. FOR 22-24 AWG WIRE WITH AN INS. RANGE OF .040-.056 DIA.



REMARKS	FINISH	86657-2	86655-2
		LOOSE PIECE PART NO.	PART NO.

THIS DRAWING IS A CONTROLLED DOCUMENT.		DR. S. MOYER 6-8-89	Tyco Electronics Corporation	
DIMENSIONS: INCHES		CHK. D.L. ROCKER 6-8-89	Harrisburg, PA 17105-3608	
OTHER DIMENSIONS: MILLIMETERS		APP. C.D. MILLER 6-14-89	Tyco Electronics	
0 P.L.C. ± .005		PRODUCT SPEC. 108-9024	CONTACT, RCPT., ROUND WIRE, .100 CENTERLINE, FCC	
1 P.L.C. ± .005		APPLICATION SPEC. 114-16003	SIZE A2	CAGE CODE 00779
2 P.L.C. ± .005		FINISH SEE TABLE	DRAWING NO. C-86655	RESTRICTED TO
3 P.L.C. ± .005		MATERIAL PHOS. BRONZE	SCALE 10:1	SHEET 1 of 1
4 P.L.C. ± .005		FINISH SEE TABLE	CUSTOMER DRAWING	REV L

1471-9 (1/08)

86655

A