

4

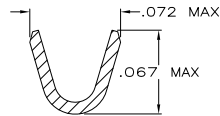
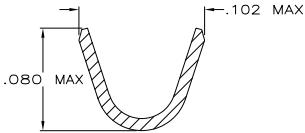
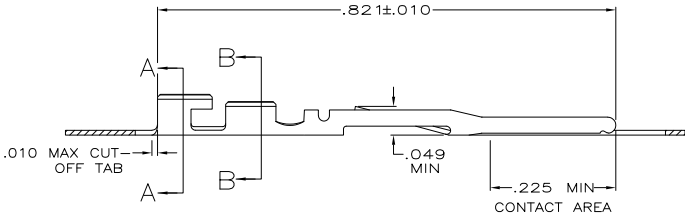
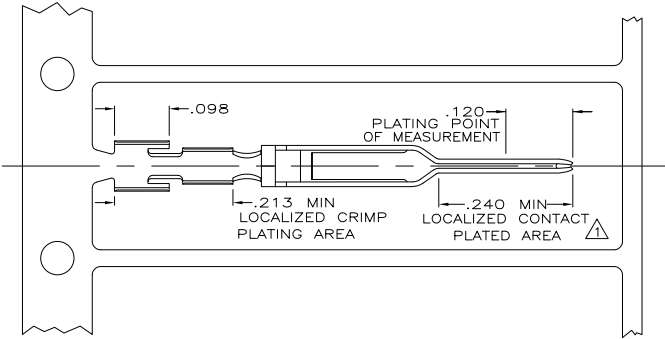
3

2

1

THIS DRAWING IS UNPUBLISHED. RELEASED FOR PUBLICATION. BY TYCO ELECTRONICS CORPORATION. ALL INTERNATIONAL RIGHTS RESERVED.

LOC	DIST	REVISIONS		
GP	00	P LTR	DESCRIPTION	DATE
		S	REV PER ECO-09-016698	11SEP2009
				CR CR



- △ FINISH: .000100 MIN THK BRIGHT TIN-LEAD IN LOCALIZED CRIMP PLATING AREA AND .000015 THK GOLD IN LOCALIZED CONTACT PLATING AREA OVER .000050 MIN THK NICKEL ON ENTIRE CONTACT.  
-OR-  
.000100 MIN THK BRIGHT TIN-LEAD IN LOCALIZED CRIMP PLATING AREA, GOLD FLASH OVER PALLADIUM-NICKEL, .000015 MIN TOTAL THK IN LOCALIZED CONTACT PLATING AREA, BOTH OVER .000050 MIN THK NICKEL ON ENTIRE CONTACT.
- 2. FOR 22-24 AWG WIRE WITH AN INSULATION RANGE OF .040-.056 DIA.
- △ FINISH: .000100 MIN THK TIN IN LOCALIZED CRIMP PLATING AREA AND .000015 THK GOLD IN LOCALIZED CONTACT PLATING AREA OVER .000050 MIN THK NICKEL ON ENTIRE CONTACT.  
-OR-  
.000100 MIN THK TIN IN LOCALIZED CRIMP PLATING AREA, GOLD FLASH OVER PALLADIUM-NICKEL, .000015 MIN TOTAL THK IN LOCALIZED CONTACT PLATING AREA, BOTH OVER .000050 MIN THK NICKEL ON ENTIRE CONTACT.

OBSOLETE		9-494033-0
△	494034-2	494033-3
△	494034-1	494033-2
FINISH	LOOSE PIECE	PART NO

THIS DRAWING IS A CONTROLLED DOCUMENT.		DN	J. GALLUCCI	27JUN1989	Tyco Electronics Corporation Harrisburg, PA 17105-3608
DIMENSIONS: INCHES		CHK	D.L. ROCKER	29JUN1989	
OTHER DIMENSIONS: MILLIMETERS		APP'D	G.D. MILLER	29JUN1989	CONTACT, PIN, .025 SQ. ROUND WIRE, .100 CENTERLINE, FCC
MATERIAL: PHOS. BRONZE		PRODUCT SPEC	108-9024	APPLICATION SPEC	
FINISH: SEE TABLE		WEIGHT	114-16003	SIZE	A2
		CAGE CODE	00779	DRAWING NO	494033
		CUSTOMER DRAWING		SCALE	8:1
				SHEET	1 of 1
				REV	S

1471-9 (1/08)

494033

A