

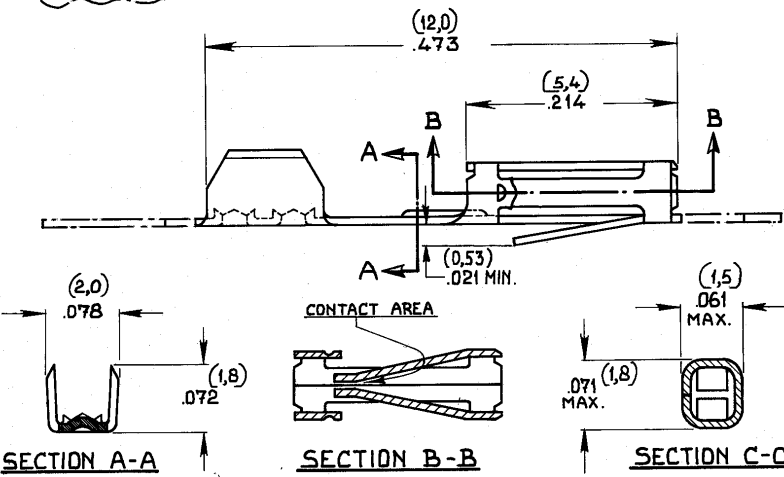
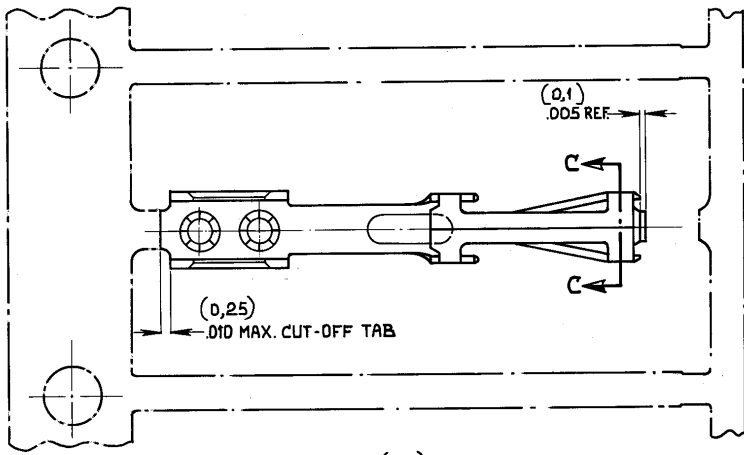
DRAWING MADE IN AMERICAN PROJECTION

REVISIONS

P	LTR	DESCRIPTION	DATE	DWN	AP'D
	F1	ECR-08-015304	30-12-08	AEG	WRV

NOTES:

- CONTACT IS DESIGNED FOR FLEXIBLE ETCHED CIRCUITS ACC. TO VDO-SPEC. MV-4511.
- THIS PARTNR. TO BE ORDERED WHEN THE GERMAN X-Y APPLICATION MACHINE IS USED. (OR USA 455942 SERIES APPLICATOR.)
- THIS PARTNR. TO BE ORDERED WHEN THE GERMAN HAND OPERATED TOOLING IS USED. (OR USA 693790 SERIES APPLICATOR.)
- THIS PARTNR. IS FOR SPECIAL CUSTOMER DESIGNED TOOLING.
- BUTT-WELD SPliced CONTACT STRIP TO BE ORDERED WHEN OTHER THAN AMP APPLICATION MACHINES ARE USED.



OBSOLETE

	166395-4	PHOSPHORBRONZE	PRE-TINNED
	166395-3	PHOSPHORBRONZE	PRE-TINNED
	166395-2	PHOSPHORBRONZE	PRE-TINNED
	166395-1	PHOSPHORBRONZE	PRE-TINNED
	ORDER NO.	MATERIAL	PLATING

CUSTOMER COPY FOR REFERENCE ONLY

DR. W.R. VERBEET.	DATE	31-1-80	©1980 BY AMP-HOLLAND N.V. ALL RIGHTS RESERVED A-MP PRODUCTS COVERED BY PATENTS AND/OR PATENTS PENDING.		AMP - HOLLAND N.V. 's-Hertogenbosch	
CHK. R. Vertigan	DATE	26-2-80	WIRE-RANGE SEE. NDTE 1	INSUL.-RANGE SEE. NDTE 1		FIRST USED
DE	DATE		SCALE	SIZE	NO. C-166395	REV. F1
APP.	DATE	27.2.80	NAME MODU-FEC RECEPTACLE CONTACT.			

DIMENSIONS IN (IN.) DO NOT SCALE PRINT

AMP 1253-H 8 7 6 5 4 3 2 1