

4

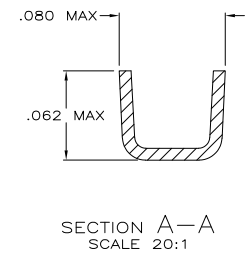
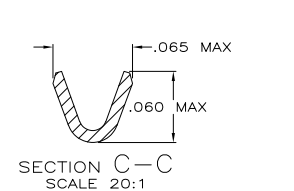
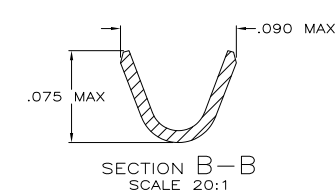
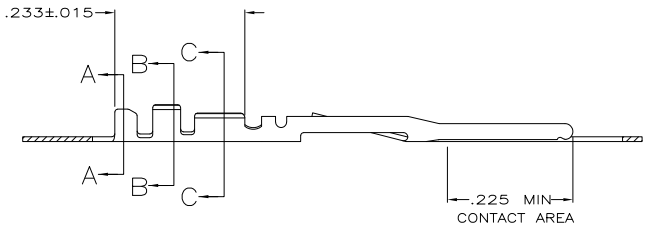
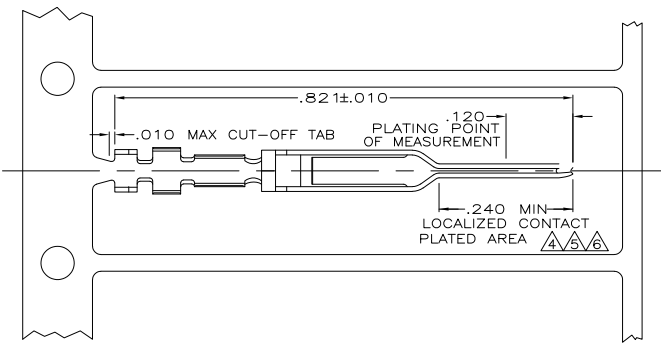
3

2

1

THIS DRAWING IS UNPUBLISHED. RELEASED FOR PUBLICATION  
 © COPYRIGHT BY TYCO ELECTRONICS CORPORATION. ALL RIGHTS RESERVED.

LOC		DIBT		REVISIONS			
GP	00	P	LTR	DESCRIPTION	DATE	BY	APP'D
		W		REVISED PER ECO-09-001588	25JUN2009	CJV	CWR
		W1		REVISED PER ECO-09-021828	01SEP09	KK	AEQ



- △ FOR STD APPLICATOR.
- △ FOR MINI APPLICATOR.
- △ FINISH: .000100 MIN THK BRIGHT-TIN LEAD OVER .000050 MIN THK NICKEL ON ENTIRE CONTACT.
- △ FINISH: GOLD FLASH ALL OVER, .000015 THK GOLD IN LOCALIZED CONTACT PLATING AREA OVER .000050 MIN THK NICKEL ON ENTIRE CONTACT, -OR- GOLD FLASH OVER PALLADIUM-NICKEL, .000015 MIN TOTAL THK IN LOCALIZED CONTACT PLATING AREA AND GOLD FLASH ON REMAINDER OVER .000050 MIN NICKEL ON ENTIRE CONTACT.
- △ FINISH: GOLD FLASH ALL OVER, .000030 THK GOLD IN LOCALIZED CONTACT PLATING AREA OVER .000050 MIN THK NICKEL ON ENTIRE CONTACT.
- △ FINISH: GOLD FLASH ALL OVER, .000050 THK GOLD IN LOCALIZED CONTACT PLATING AREA OVER .000050 MIN THK NICKEL ON ENTIRE CONTACT.
- 7. FOR 26-32 AWG WIRE WITH AN INSULATION RANGE OF .025-.048 DIA.
- △ OBSOLETE PART NO.
- △ FINISH: .000100 MIN THK MATTE TIN OVER .000050 MIN THK NICKEL ON ENTIRE CONTACT.
- △ OBSOLETE PARTS: OBSOLETE CIS STREAMLINING PER D.RENAUD/D.SINISI

OBsolete	REMARKS	FINISH	PART NO.
-		△	1-88048-4
-	LOOSE PIECE	△	1-88048-3
-		△	1-88048-2
-		△	1-88048-1
-	LOOSE PIECE	△	1-88048-0
-		△	88048-9
-		△	88048-8
-		△	88048-7
-		△	88048-6
88048-4	LOOSE PIECE	△	88048-5
-		△	88048-4
88048-2	LOOSE PIECE	△	88048-3
-		△	88048-2

THIS DRAWING IS A CONTROLLED DOCUMENT. **J. CALLUCCI** 6-27-89  
**D.L. ROCKER** 6-28-89  
**TYCO ELECTRONICS** Tyco Electronics Corporation  
 Harrisburg, PA 17105-3608

DIMENSIONS: INCHES	0 PLC ± .005	1 PLC ± .005	2 PLC ± .005	3 PLC ± .005	4 PLC ± .005	ANGLES ± .5	FINISH SEE TABLE		
MATERIAL: PHOS. BRONZE	PRODUCT SPEC: 108-9024	APPLICATION SPEC: 114-16003	WEIGHT: -	SIZE: A2	CAGE CODE: 00779	DRAWING NO: C-88048	RESTRICTED TO: -		
CUSTOMER DRAWING							SCALE: 8:1	SHEET: 1 of 1	REV: W1

AMP 1471-9 REV 31MM0000-mechd\_070827\_070933 (VMMED) (HMMSE) (Inp)  
 ComputerAided, Inc. - Medary Revision 12.2.93