

4

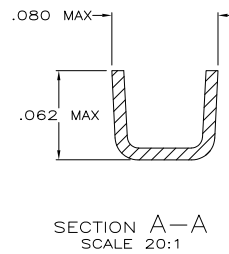
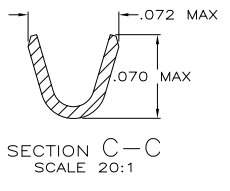
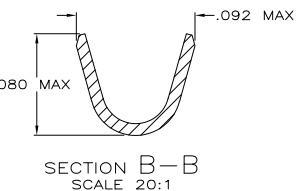
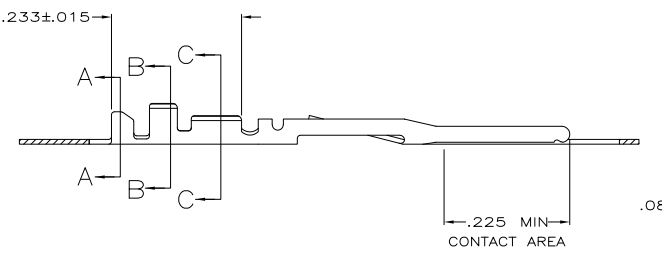
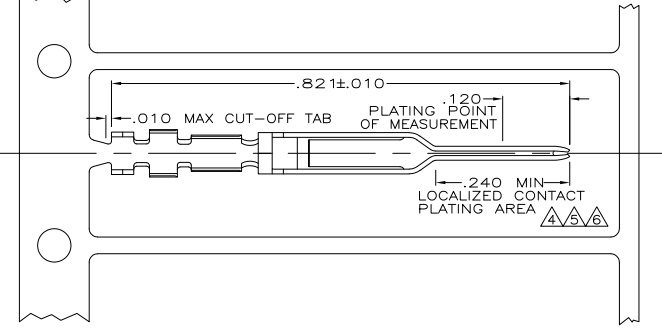
3

2

1

THIS DRAWING IS UNPUBLISHED. RELEASED FOR PUBLICATION
 © COPYRIGHT - By - ALL RIGHTS RESERVED.

LOC	DIST	REVISIONS				
GP	00	F	LR	DATE	BY	APP
		AA1	REVISED PER ECO-11-004835	11MAR11	RK	HMR



- ▲ FOR STD APPLICATOR.
- ▲ FOR MINI APPLICATOR.
- ▲ FINISH: .000100 MIN THK BRIGHT TIN LEAD OVER .000050 MIN THK NICKEL ON ENTIRE CONTACT.
- ▲ FINISH: .000015 THK GOLD IN LOCALIZED CONTACT PLATING AREA AND GOLD FLASH IN OTHER AREAS OVER .000050 MIN NICKEL ON ENTIRE CONTACT, -OR- GOLD FLASH OVER PALLADIUM-NICKEL, .000015 MIN TOTAL THK IN LOCALIZED CONTACT PLATING AREA AND GOLD FLASH ON REMAINDER OVER .000050 MIN NICKEL ON ENTIRE CONTACT.
- ▲ FINISH: .000030 THK GOLD IN LOCALIZED CONTACT PLATING AREA AND GOLD FLASH IN OTHER AREAS OVER .000050 MIN NICKEL ON ENTIRE CONTACT. -OR- GOLD FLASH OVER PALLADIUM-NICKEL, .000030 MIN TOTAL THK IN LOCALIZED CONTACT PLATING AREA AND GOLD FLASH ON REMAINDER OVER .000050 MIN NICKEL ON ENTIRE CONTACT.
- ▲ FINISH: .000050 THK GOLD IN LOCALIZED CONTACT PLATING AREA AND GOLD FLASH IN OTHER AREAS OVER .000050 MIN NICKEL ON ENTIRE CONTACT. -OR- GOLD FLASH OVER PALLADIUM-NICKEL, .000050 MIN TOTAL THK IN LOCALIZED CONTACT PLATING AREA AND GOLD FLASH ON REMAINDER OVER .000050 MIN NICKEL ON ENTIRE CONTACT.
- ▲ FINISH: .000030 THK GOLD ON ENTIRE CONTACT (EXCEPT .000003 PERMISSIBLE ON INTERIOR OF CONTACT NOSE) OVER .000050 MIN THK NICKEL ON ENTIRE CONTACT.
- 8. FOR 22-26 AWG WIRE WITH AN INSULATION RANGE OF .040-.056 DIA.
- ▲ OBSOLETE PART NO.
- ▲ FINISH: .000100 MIN THK TIN OVER .000050 MIN THK NICKEL ON ENTIRE CONTACT.

▲	1-86561-0	▲	▲	1-86557-9
▲		▲	▲	1-86557-7
▲		▲	▲	1-86557-5
▲	86561-9	▲	▲	1-86557-4
▲		▲	▲	1-86557-3
▲		▲	▲	1-86557-2
▲		▲	▲	1-86557-1
▲		▲	▲	1-86557-0
▲		▲	▲	86557-8
▲	86561-7	▲	▲	86557-7
▲	86561-6	▲	▲	86557-6
▲	86561-4	▲	▲	86557-4
FINISH	LOOSE PIECE			PART NO
	PART NO			PART NO

THIS DRAWING IS A CONTROLLED DOCUMENT. DIM J. GALLUCCI 4-27-89
 OK S.L. ROCKER 4-28-89
 D.D. MILLER 4-29-89

DIMENSIONS: INCHES
 0 PLC ± .005
 1 PLC ± .005
 2 PLC ± .005
 3 PLC ± .005
 4 PLC ± .005
 ANGLES ± .005

MATERIAL PHOS. BRONZE FINISH SEE TABLE

PRODUCT SPEC 108-9024
 APPLICATION SPEC 114-16003
 WEIGHT -

SIZE CASE CODE DRAWING NO A2 00779 C-86557
 CUSTOMER DRAWING SCALE 8:1 SHEET 1 of 1 REV AA1

TE Connectivity
 CONTACT, PIN, .025 SQ
 ROUND WIRE, .100 CENTERLINE,
 FCC