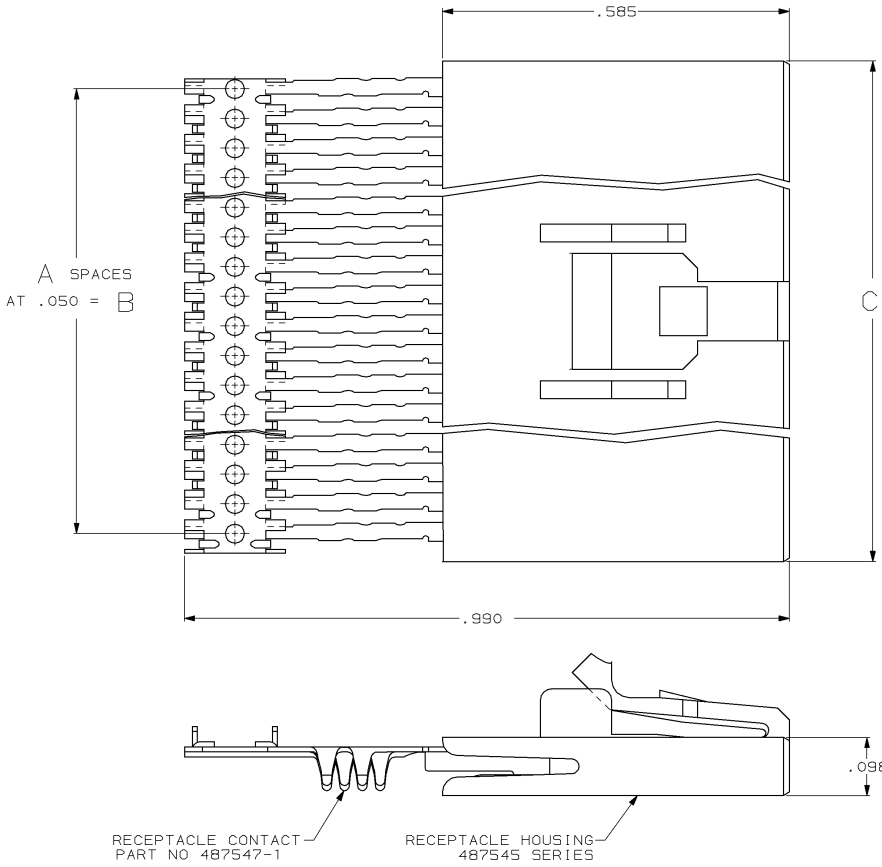


DRAWING MADE IN THIRD ANGLE PROJECTION  
 THIS DRAWING IS UNPUBLISHED. RELEASED FOR PUBLICATION 19  
 © COPYRIGHT 19 BY AMP INCORPORATED. ALL INTERNATIONAL RIGHTS RESERVED.

LOC	DIST	P	F	ZONE	LTR	REVISIONS	DATE	APPD
AR	39					F REV PER EC 0020-354-93	04/01/93	GDM
						G OBS -4, -19, -47 PER EC 0020-0943-93	11/22/93	DK
						H OBS -42 PER EC 0020-0501-94	05/12/94	GM
						J OBS -33 PER EC 0020-663-94	12/19/94	DM
						K OBS -37 PER EC 0020-918-95	02 FEB 96	DLK



OBSOLETE	2.544	2.450	49	50	4-487550-7
OBSOLETE	2.294	2.200	44	45	4-487550-2
OBSOLETE	2.044	1.950	39	40	3-487550-7
OBSOLETE	1.844	1.750	35	36	3-487550-3
	1.544	1.450	29	30	2-487550-7
	1.294	1.200	24	25	2-487550-2
OBSOLETE	1.144	1.050	21	22	1-487550-9
	1.044	.950	19	20	1-487550-7
	.894	.800	16	17	1-487550-4
	.794	.700	14	15	1-487550-2
	.694	.600	12	13	1-487550-0
	.644	.550	11	12	487550-9
	.544	.450	9	10	487550-7
	.444	.350	7	8	487550-5
OBSOLETE	.394	.300	6	7	487550-4
	.344	.250	5	6	487550-3
	.294	.200	4	5	487550-2
	.244	.150	3	4	487550-1
	C	B	A	NO OF POSN	PART NUMBER

- 1. BLACK FLAME RETARDANT THERMOPLASTIC.
- 2. NICKEL .000050 MIN THK UNDERPLATE ON ENTIRE CONTACT WITH GOLD .000030 MIN THK ON MATING AREA AND BRIGHT TIN/LEAD .000100 MIN THK ON CRIMP AREA.
- 3. TO BE TERMINATED TO FLEXIBLE FLAT CONDUCTOR CABLE IN APPLICATOR 818973-1.
- 4. MIN MATING POST LENGTH .125.

THIS DRAWING IS A CONTROLLED DOCUMENT FOR AMP INCORPORATED. IT IS SUBJECT TO CHANGE AND THE CONTROLLING ENGINEERING ORGANIZATION SHOULD BE CONTACTED FOR THE LATEST REVISION.

DO NOT SCALE PRINT. UNLESS SPECIFIED DIMENSIONS IN INCHES. TOLERANCES ON : 2 PLC DEC ± - 3 PLC DEC ± .005 ANGLES ± -	DR 10-18-85 D.DOLLYHIGH CHK 10-18-85 D.R.WORTHINGTON APPD 10-21-85 JERRY L. TONEY	<b>AMP</b> AMP Incorporated Harrisburg, PA 17105-3608	
MATERIAL HOUSING:	NAME PRE-LOADED HOUSING, RCPT, .0500, FFC	SIZE C	DRAWING NO C=487550
CONTACTS: PHOS BRONZE	PRODUCT SPEC 108-16022	CAGE CODE 00779	SHEET 1 OF 1
FINISH CONTACTS:	APPLICATION SPEC 114-16008	SCALE 8:1	
WEIGHT -			