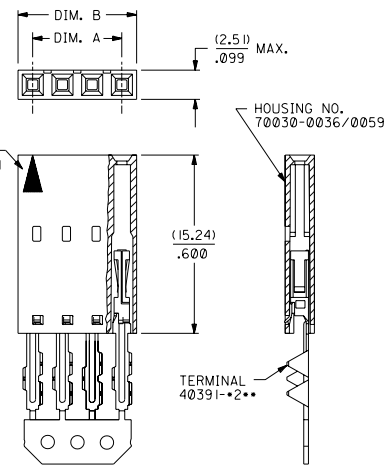
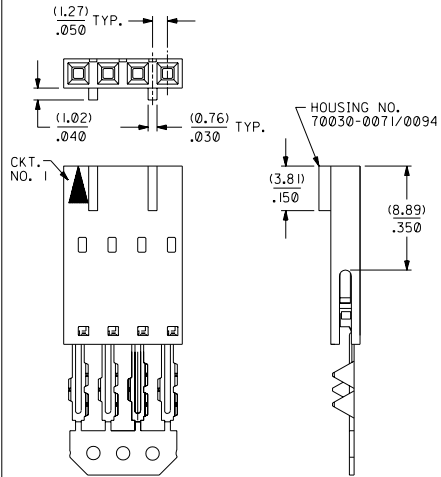


13 12 11 10 9 8 7 6 70430 4 3 2 1

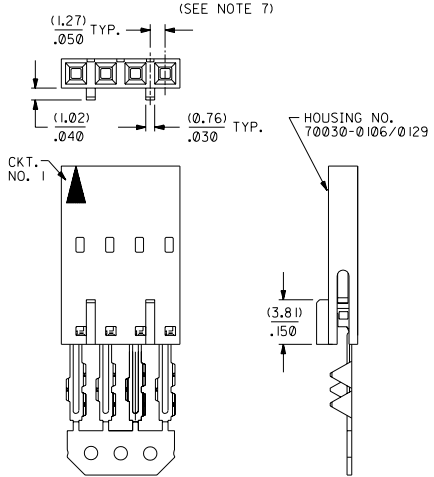
OPTION -A-



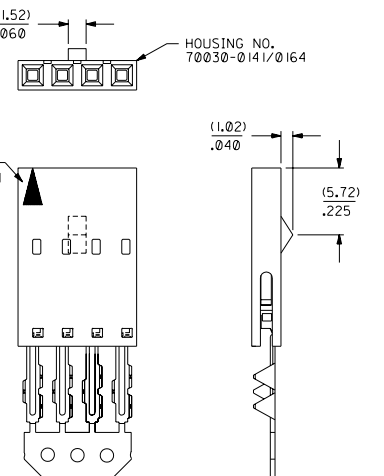
OPTION -C-



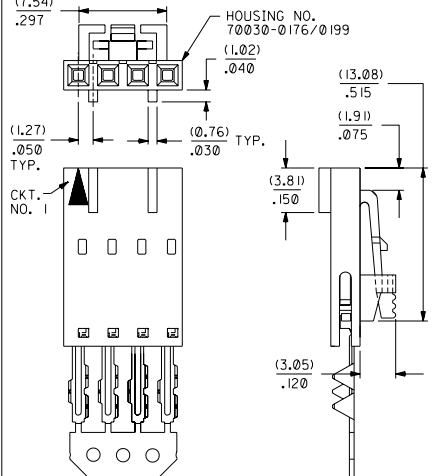
OPTION -D- (SEE NOTE 7)



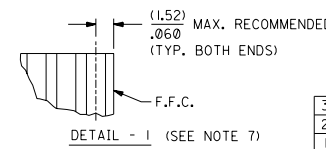
OPTION -E-



OPTION -G- (SEE NOTE 8)



- NOTES:
- SEE CHART FOR CIRCUIT SIZES.
 - TERMINALS ARE SHOWN PRE-LOADED INTO HOUSING AND LOCKED INTO FIRST ROW.
 - STANDARD PACKAGING PER PKT0873-0001 SHALL BE USED.
 - ALL DIMENSIONS ARE FOR REFERENCE ONLY.
 - SEE SHEET (2) OF FAMILY DRAWING FOR PART NOS. AND PLATINGS
 - PRE LOADED ASSEMBLY TO BE USED WITH (0.35)/.014 MAX. THICK FLAT FLEX CABLE WITH (1.57)/.062 WIDE COPPER CONDUCTORS ON (2.54)/.100 CENTERS OR, (0.13)/.005 - (0.28)/.011 THICK MYLAR WITH (1.02)/.040 - (1.65)/.065 WIDE SILVER INK CONDUCTORS ON (2.54)/.100 CENTERS.
 - RECOMMENDED F.F.C. CONFIGURATION FOR OPTION 'D' ONLY; WHEN USED WITH INTERIM CLIPS, SEE DETAIL I.
 - SEE SHEET 3 FOR CORE-OUT CONFIGURATION, 'G' OPTION.
 - TWO (2) CIRCUIT ASSEMBLIES SUPPLIED ASA GROUPED PAIRS.
 - PLATING IS COLOR CODED. SEE TABLE ON SHEET 2.



CKT. SIZE	*A*	*B* (MAX.)
2	(2.54)	(5.05)
3	.100	.199
4	(5.08)	(7.59)
	.200	.299
5	(7.62)	(10.13)
	.300	.399
6	(10.16)	(12.67)
	.400	.499
7	(12.70)	(15.21)
	.500	.599
8	(15.24)	(17.75)
	.600	.699
9	(17.78)	(20.29)
	.700	.799
10	(20.32)	(22.83)
	.800	.899
11	(22.86)	(25.37)
	.900	.999
12	(25.40)	(27.91)
	1.000	1.099
13	(27.94)	(30.45)
	1.100	1.199
14	(30.48)	(32.99)
	1.200	1.299
15	(33.02)	(35.53)
	1.300	1.399
16	(35.56)	(38.07)
	1.400	1.499
17	(38.10)	(40.61)
	1.500	1.599
18	(40.64)	(43.15)
	1.600	1.699
19	(43.18)	(45.69)
	1.700	1.799
20	(45.72)	(48.23)
	1.800	1.899
21	(48.26)	(50.77)
	1.900	1.999
22	(50.80)	(53.31)
	2.000	2.099
23	(53.34)	(55.85)
	2.100	2.199
24	(55.88)	(58.39)
	2.200	2.299
25	(58.42)	(60.93)
	2.300	2.399
	(60.96)	(63.47)
	2.400	2.499

D	PRINT CORRECTIONS ECN *1012001-1268 BSMART 05/14/01	DIMENSIONS SHOWN METRIC INCH UNLESS OTHERWISE SPECIFIED TOLERANCES ANGULAR ± 1/32"	▽ = TBD ▼ = TBD REVISE ONLY ON CAD SYSTEM
C3	ADD CARRIER CHAMP ECN *1011998-0280 05/20/98 LMCORATH	INCH METRIC 3 PLACE ± --- ± --- 2 PLACE --- ± --- ± --- 1 PLACE --- ± --- ± ---	ASSEMBLY CONNECTOR F.F.C. FEMALE SINGLE ROW (2.54)/.100 GRID: (FAMILY INDEX)
E	LEAD FREE UCP2004-1769 RWHITE 04/03/24	REVISOR 05-19-94 WGM	MOLEX INCORPORATED LITELI.L. 68532 U.S.A.
LTR. REVISIONS	LTR. REVISIONS	DATE 7/23/86	SHEET NO. 1 OF 3
		PART NO. FAMILY INDEX SDA-70430-0000	DRWG. NO. DA C
		FILE NAME SE78430X1	NO. DRAWING CONTAINS INFORMATION THAT IS PROPRIETARY TO MOLEX INC. AND SHOULD NOT BE USED WITHOUT WRITTEN PERMISSION.

13 12 11 10 9 8 7 6 5 4 3 2 NO PS 1

13

12

11

10

9

8

7

6

5

4

3

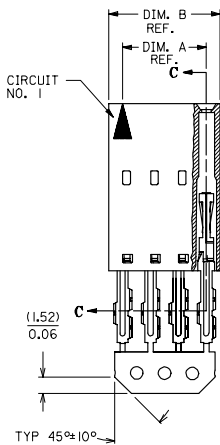
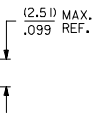
2

1

*A" - OPTION

NOTES:

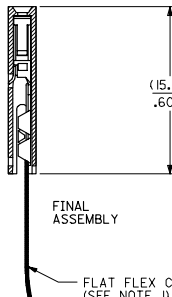
- 1) PRE LOADED ASSEMBLY TO BE USED WITH (0.30)/.012 MAX. THICK FLAT FLEX CABLE WITH (1.57)/.062 WIDE COPPER CONDUCTORS ON (2.54)/.100 CENTERS OR, (0.13)/.005 - (0.28)/.011 THICK MYLAR WITH (1.02)/.040 - (1.65)/.065 WIDE SILVER INK CONDUCTORS ON (2.54)/.100 CENTERS.
- 2) STANDARD PACKING PER PK70873-0001 SHALL BE USED.
- 3) SEE CHART FOR CIRCUIT SIZES, "A" AND "B" DIMENSIONS.
- 4) TWO (2) CIRCUIT ASSEMBLIES SUPPLIED AS GROUPED PAIRS.
- 5) PART MATES WITH (0.64)/.025 SO. PINS, (8.13)/.320 TO (5.08)/.200 LONG ON (2.54)/.100 CENTERS.
- 6) REFER TO SDA-70430-**** (SHEET 3) FOR MINOR VARIATIONS TO "G" OPTION HOUSINGS.
- 7) PARTS CONFORM TO CLASS B OF COSMETIC SPECIFICATION PS-45499-002.



SECTION C-C



PRE-LOAD ASSEMBLY



FINAL ASSEMBLY

FLAT FLEX CABLE (F.F.C.) (SEE NOTE 1)

HOUSING MATERIAL: GLASS FILLED POLYESTER, UL 94V-0.
 TERMINAL MATERIAL: PHOSPHOR BRONZE.
 PLATING: TIN - .000150 MINIMUM TIN OVER
 .000050 MINIMUM NICKEL PLATE.

CONTACT PLATING	COLOR CODE
TIN	NONE
15 GOLD	YELLOW
30 GOLD	RED

CKT. SIZE	EDP. NO.	ENG. NO.	A	B
2	015-38-8028	70430-0001	(2.54) .100	(5.05) .199
3	015-38-8038	70430-0002	(5.08) .200	(7.59) .299
4	015-38-8048	70430-0003	(7.62) .300	(10.13) .399
5	015-38-8058	70430-0004	(10.16) .400	(12.67) .499
6	015-38-8068	70430-0005	(12.70) .500	(15.21) .599
7	015-38-8078	70430-0006	(15.24) .600	(17.75) .699
8	015-38-8088	70430-0007	(17.78) .700	(20.29) .799
9	015-38-8098	70430-0008	(20.32) .800	(22.83) .899
10	015-38-8108	70430-0009	(22.86) .900	(25.37) .999
11	015-38-8118	70430-0010	(25.40) 1.000	(27.91) 1.099
12	015-38-8128	70430-0011	(27.94) 1.100	(30.45) 1.199
13	015-38-8138	70430-0012	(30.48) 1.200	(32.99) 1.299
14	015-38-8148	70430-0013	(33.02) 1.300	(35.53) 1.399
15	015-38-8158	70430-0014	(35.56) 1.400	(38.07) 1.499
16	015-38-8168	70430-0015	(38.10) 1.500	(40.61) 1.599
17	015-38-8178	70430-0016	(40.64) 1.600	(43.15) 1.699
18	015-38-8188	70430-0017	(43.18) 1.700	(45.69) 1.799
19	015-38-8198	70430-0018	(45.72) 1.800	(48.23) 1.899
20	015-38-8208	70430-0019	(48.26) 1.900	(50.77) 1.999
21	015-38-8218	70430-0020	(50.80) 2.000	(53.31) 2.099
22	015-38-8228	70430-0021	(53.34) 2.100	(55.85) 2.199
23	015-38-8238	70430-0022	(55.88) 2.200	(58.39) 2.299
24	015-38-8248	70430-0023	(58.42) 2.300	(60.93) 2.399
25	015-38-8258	70430-0024	(60.96) 2.400	(63.47) 2.499

ADD TOLERANCE EC NO. UCP2007-2849 DRAWING ORGAN 2007/05/18 CHK'D BY SIBARRA 2007/05/17 APPR: SHILLER 2007/05/17 REV	QUALITY SYMBOLS ▽=0 ▽=0	GENERAL TOLERANCES (UNLESS SPECIFIED)		DIMENSION STYLE MM/IN	SCALE 4:1	DESIGN UNITS INCH	THIRD ANGLE PROJECTION	
		4 PLACES ± --- ± --- 3 PLACES ± --- ± .010 2 PLACES ± 0.25 ± .015 1 PLACE ± 0.38 ± --- ANGULAR ±1/2°	DRAWN BY RAS DATE 1986/07/21 CHECKED BY DATE APPROVED BY WAZ DATE 1986/07/21	TITLE ASSEMBLY, CONNECTOR FFC FEMALE SINGLE ROW (2.54)/.100 GRID		MATERIAL NO. SEE TABLE DOCUMENT NO. SDA-70430-0001-0024		SHEET NO. 1 OF 1
DRAFT WHERE APPLICABLE MUST REMAIN WITHIN DIMENSIONS				THIS DRAWING CONTAINS INFORMATION THAT IS PROPRIETARY TO MOLEX INCORPORATED AND SHOULD NOT BE USED WITHOUT WRITTEN PERMISSION				MOLEX MOLEX INCORPORATED

12

11

10

9

8

7

6

5

4

3

2

1