

4

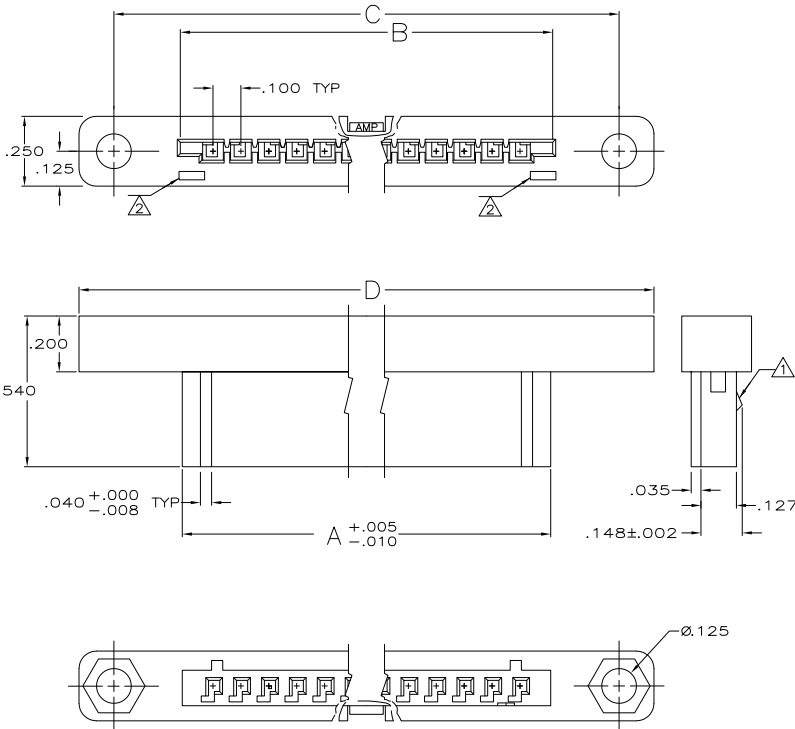
3

2

1

THIS DRAWING IS UNPUBLISHED. RELEASED FOR PUBLICATION  
 © COPYRIGHT BY TYCO ELECTRONICS CORPORATION. ALL RIGHTS RESERVED.

LOC	DIST	REVISIONS					
GP	00	P	LTR	DESCRIPTION	DATE	BY	APPD
		AF		REVISED PER ECO-09-001598	01JUN2009	CJV	CWR
		AF1		REVISED PER ECO-09-020932	08SEP09	KK	AEG



- △ AMP TRADEMARK MOLDED IN THIS AREA
- △ OPTIONAL AREA FOR AMP TRADEMARK ( ORIENTATION OPTIONAL )
- △ INDICATES POSITION 1
- △ OBSOLETE PART NUMBER.
- △ POLYESTER, GLASS FILLED, COLOR: BLACK.
- △ OBSOLETE PARTS: OBSOLETE CIS STREAMLINING PER D.RENAUD/D.SINISI

D	C	B	A	NO. OF POSN	PART NUMBER
4.260	4.010	3.634	3.520	35	△3-485913-3
4.160	3.910	3.534	3.420	34	△3-485913-2
4.060	3.810	3.434	3.320	33	△3-485913-1
3.960	3.710	3.334	3.220	32	△3-485913-0
3.860	3.610	3.234	3.120	31	△2-485913-9
3.760	3.510	3.134	3.020	30	△2-485913-8
3.660	3.410	3.034	2.920	29	△2-485913-7
3.560	3.310	2.934	2.820	28	△2-485913-6
3.460	3.210	2.834	2.720	27	△2-485913-5
3.360	3.110	2.734	2.620	26	△2-485913-4
3.260	3.010	2.634	2.520	25	△2-485913-3
3.160	2.910	2.534	2.420	24	△2-485913-2
3.060	2.810	2.434	2.320	23	△2-485913-1
2.960	2.710	2.334	2.220	22	△2-485913-0
2.860	2.610	2.234	2.120	21	△1-485913-9
2.760	2.510	2.134	2.020	20	△1-485913-8
2.660	2.410	2.034	1.920	19	△1-485913-7
2.560	2.310	1.934	1.820	18	△1-485913-6
2.460	2.210	1.834	1.720	17	△1-485913-5
2.360	2.110	1.734	1.620	16	△1-485913-4
2.260	2.010	1.634	1.520	15	1-485913-3
2.160	1.910	1.534	1.420	14	1-485913-2
2.060	1.810	1.434	1.320	13	1-485913-1
1.960	1.710	1.334	1.220	12	1-485913-0
1.860	1.610	1.234	1.120	11	485913-9
1.760	1.510	1.134	1.020	10	485913-8
1.660	1.410	1.034	.920	9	485913-7
1.560	1.310	.934	.820	8	△485913-6
1.460	1.210	.834	.720	7	△485913-5
1.360	1.110	.734	.620	6	△485913-4
1.260	1.010	.634	.520	5	△485913-3
1.160	.910	.534	.420	4	485913-2
1.060	.810	.434	.320	3	485913-1

- △6
- OBSOLETE
- △OBSOLETE
- △OBSOLETE
- △6
- OBSOLETE

THIS DRAWING IS A CONTROLLED DOCUMENT. DATE HELM 11-1-89  
 CK KATE HELM 3-2-89  
 D L. ROCKER  
 DIMENSIONS: INCHES  
 TOLERANCES UNLESS OTHERWISE SPECIFIED:  
 0 PLC ± .005  
 1 PLC ± .005  
 2 PLC ± .005  
 3 PLC ± .005  
 4 PLC ± .005  
 ANGLES ± .005  
 FINISH  
 MATERIAL  
 FINISH

108-9024  
 APPLICATION SPEC  
 HEIGHT  
 CUSTOMER DRAWING

11-1-89  
 Tyco Electronics Corporation  
 Harrisburg, PA 17105-3608  
 HOUSING, RCPT, W/MTG EARS  
 .100  
 SIZE CASE CODE DRAWING NO  
 A2 00779 C=485913  
 RESTRICTED TO  
 SCALE 4:1 SHEET 1 of 1 REV AF1

AMP 1471-9 REV 31MM2000