

4

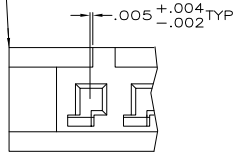
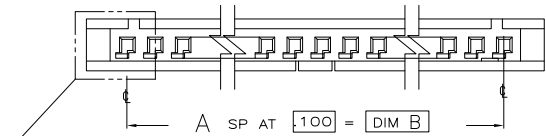
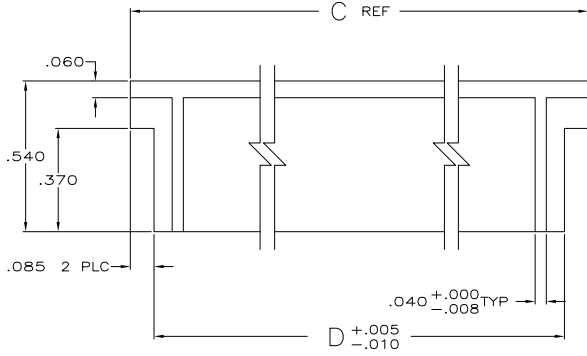
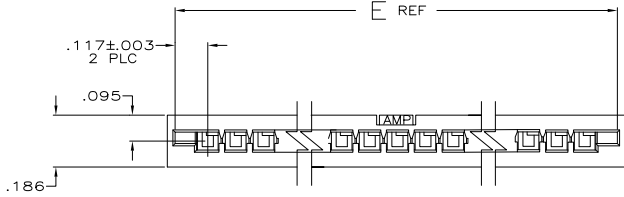
3

2

1

THIS DRAWING IS UNPUBLISHED. RELEASED FOR PUBLICATION  
 © COPYRIGHT - By - ALL RIGHTS RESERVED.

| LOC | DIBT | REVISIONS |                           |         |        |
|-----|------|-----------|---------------------------|---------|--------|
|     |      | P         | LR                        | DATE    | BY     |
| GP  | 00   | W2        | REVISED PER ECO-11-004835 | 11MAR11 | RK HMR |



SCALE 8:1

- 1 GLASS-FILLED PBT, BLACK, UL V-0.
- 2 OBSOLETE PARTS: OBSOLETE CIS STREAMLINING PER D.RENAUD/D.SINISI

|          |       |       |       |       |    |    |           |
|----------|-------|-------|-------|-------|----|----|-----------|
|          | 3.634 | 3.520 | 3.690 | 3.400 | 34 | 35 | 3-88859-3 |
| OBSOLETE | 3.534 | 3.420 | 3.590 | 3.300 | 33 | 34 | 3-88859-2 |
| OBSOLETE | 3.434 | 3.320 | 3.490 | 3.200 | 32 | 33 | 3-88859-1 |
|          | 3.334 | 3.220 | 3.390 | 3.100 | 31 | 32 | 3-88859-0 |
| OBSOLETE | 3.234 | 3.120 | 3.290 | 3.000 | 30 | 31 | 2-88859-9 |
| OBSOLETE | 3.134 | 3.020 | 3.190 | 2.900 | 29 | 30 | 2-88859-8 |
|          | 3.034 | 2.920 | 3.090 | 2.800 | 28 | 29 | 2-88859-7 |
| OBSOLETE | 2.934 | 2.820 | 2.990 | 2.700 | 27 | 28 | 2-88859-6 |
| OBSOLETE | 2.834 | 2.720 | 2.890 | 2.600 | 26 | 27 | 2-88859-5 |
| OBSOLETE | 2.734 | 2.620 | 2.790 | 2.500 | 25 | 26 | 2-88859-4 |
| OBSOLETE | 2.634 | 2.520 | 2.690 | 2.400 | 24 | 25 | 2-88859-3 |
| OBSOLETE | 2.534 | 2.420 | 2.590 | 2.300 | 23 | 24 | 2-88859-2 |
| OBSOLETE | 2.434 | 2.320 | 2.490 | 2.200 | 22 | 23 | 2-88859-1 |
| OBSOLETE | 2.334 | 2.220 | 2.390 | 2.100 | 21 | 22 | 2-88859-0 |
| OBSOLETE | 2.234 | 2.120 | 2.290 | 2.000 | 20 | 21 | 1-88859-9 |
| OBSOLETE | 2.034 | 1.920 | 2.090 | 1.800 | 18 | 19 | 1-88859-8 |
| OBSOLETE | 1.934 | 1.820 | 1.990 | 1.700 | 17 | 18 | 1-88859-7 |
| OBSOLETE | 1.834 | 1.720 | 1.890 | 1.600 | 16 | 17 | 1-88859-6 |
|          | 1.734 | 1.620 | 1.790 | 1.500 | 15 | 16 | 1-88859-5 |
|          | 1.234 | 1.120 | 1.290 | 1.000 | 10 | 11 | 1-88859-4 |
|          | 1.034 | .920  | 1.090 | .800  | 8  | 9  | 1-88859-3 |
|          | .834  | .720  | .890  | .600  | 6  | 7  | 1-88859-2 |
|          | .634  | .520  | .690  | .400  | 4  | 5  | 1-88859-1 |
|          | .534  | .420  | .590  | .300  | 3  | 4  | 1-88859-0 |
|          | .434  | .320  | .490  | .200  | 2  | 3  | 88859-9   |
|          | 2.134 | 2.020 | 2.190 | 1.900 | 19 | 20 | 88859-8   |
|          | 1.534 | 1.420 | 1.590 | 1.300 | 13 | 14 | 88859-7   |
|          | 1.634 | 1.520 | 1.690 | 1.400 | 14 | 15 | 88859-6   |
|          | 1.434 | 1.320 | 1.490 | 1.200 | 12 | 13 | 88859-5   |
|          | 1.334 | 1.220 | 1.390 | 1.100 | 11 | 12 | 88859-4   |
|          | 1.134 | 1.020 | 1.190 | .900  | 9  | 10 | 88859-3   |
|          | .934  | .820  | .990  | .700  | 7  | 8  | 88859-2   |
|          | .734  | .620  | .790  | .500  | 5  | 6  | 88859-1   |

THIS DRAWING IS A CONTROLLED DOCUMENT. DIM H. MOLL 6-8-88  
 OK C. D. MILLER 6-4-88  
 NAME  
 PRODUCT SPEC  
 APPLICATION SPEC  
 WEIGHT  
 FINISH

TE Connectivity  
 HOUSING, RECEPTACLE,  
 FFC, .100 CL

SIZE CAGE CODE DRAWING NO. RESTRICTED TO  
 A2 00779 C-88859

CUSTOMER DRAWING SCALE 4:1 SHEET 1 of 1 REV W2

88859

A

D

C

B

A

1

2

3

4

D

C

B

A

1

2

3

4

D

C

B

A

1

2

3

4

D

C

B

A

1

2

3

4

D

C

B

A

1

2

3

4

D

C

B

A

1

2

3

4

D

C

B

A

1

2

3

4

D

C

B

A

1

2

3

4

D

C

B

A

1

2

3

4

D

C

B

A

1

2

3

4

D

C

B

A

1

2

3

4

D

C

B

A

1

2

3

4

D

C

B

A

1

2

3

4

D

C

B

A

1

2

3

4

D

C

B

A

1

2

3

4

D

C

B

A

1

2

3

4

D

C

B

A

1

2

3

4

D

C

B

A

1

2

3

4

D

C

B

A

1

2

3

4

D

C

B

A

1

2

3

4

D

C

B

A

1

2

3

4

D

C

B

A

1

2

3

4

D

C

B

A

1

2

3

4

D

C

B

A

1

2

3

4

D

C

B

A

1

2

3

4

D

C

B

A

1

2

3

4

D

C

B

A

1

2

3

4

D

C

B

A

1

2

3

4

D

C

B

A

1

2

3

4

D

C

B

A

1

2

3

4

D

C

B

A

1

2

3

4

D

C

B