

4

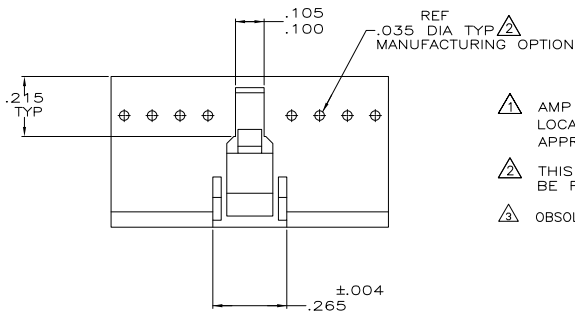
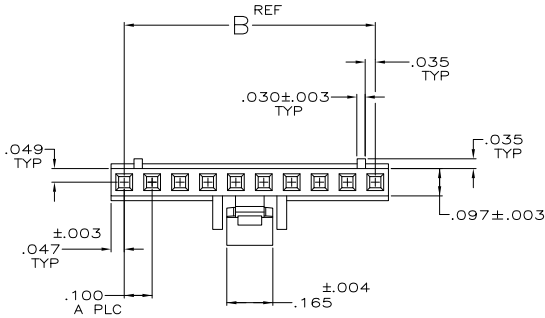
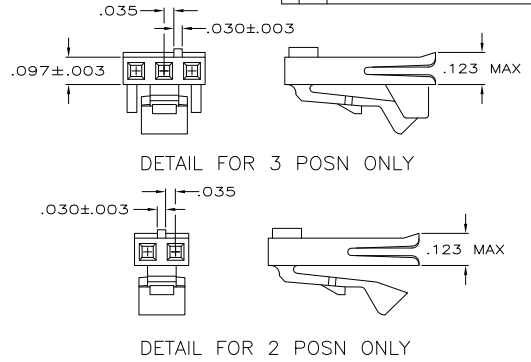
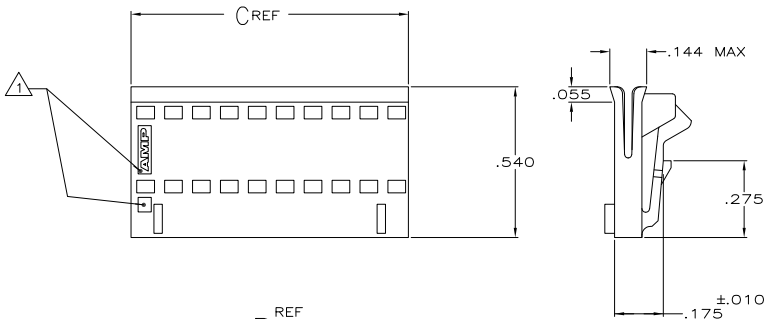
3

2

1

THIS DRAWING IS UNPUBLISHED. RELEASED FOR PUBLICATION. ALL RIGHTS RESERVED.

LOC	DIST	REVISIONS					
GP	00	P	LTR	DESCRIPTION	DATE	BY	APPD
		22		REVISED PER ECO-11-005033	23MAR11	RK	HMR



- △ AMP TRADEMARK AND MOLD CAVITY IDENTIFICATION LOCATED AT EITHER END OF THE HOUSING IN APPROXIMATE AREA SHOWN.
- △ THIS HOLE IS FOR MOLDING PURPOSES ONLY AND MAY BE FLASHED OVER,
- △ OBSOLETE PARTS: OBSOLETE CIS STREAMLINING PER D.RENAUD/D.SINISI

	2.494	2.400	24	25	2-487526-4
	2.394	2.300	23	24	2-487526-3
△ OBSOLETE	2.294	2.200	22	23	2-487526-2
△ OBSOLETE	2.194	2.100	21	22	2-487526-1
△ OBSOLETE	2.094	2.000	20	21	2-487526-0
	1.994	1.900	19	20	1-487526-9
	1.894	1.800	18	19	1-487526-8
	1.794	1.700	17	18	1-487526-7
	1.694	1.600	16	17	1-487526-6
	1.594	1.500	15	16	1-487526-5
	1.494	1.400	14	15	1-487526-4
	1.394	1.300	13	14	1-487526-3
	1.294	1.200	12	13	1-487526-2
	1.194	1.100	11	12	1-487526-1
	1.094	1.000	10	11	1-487526-0
	.994	.900	9	10	487526-9
	.894	.800	8	9	487526-8
	.794	.700	7	8	487526-7
	.694	.600	6	7	487526-6
	.594	.500	5	6	487526-5
	.494	.400	4	5	487526-4
	.394	.300	3	4	487526-3
	.294	.200	2	3	487526-2
	.194	.100	1	2	487526-1
C REF	B	A	NO OF POSNS	PRODUCT PART NO	

THIS DRAWING IS A CONTROLLED DOCUMENT. DIM. P. BERRY 12-11-85
 OK. 12-13-85
 D. DOLLYHIGH
 NAME

TE Connectivity
 HOUSING, RECEPTACLE, LATCH, POLARIZED, FFC

108-9024
 APPLICATION SPEC
 114-16015

SIZE CASE CODE DRAWING NO. RESTRICTED TO
 A2 00779 C=487526

MATERIAL THERMOPLASTIC. FINISH

CUSTOMER DRAWING SCALE 4:1 SHEET 1 of 1 REV 72