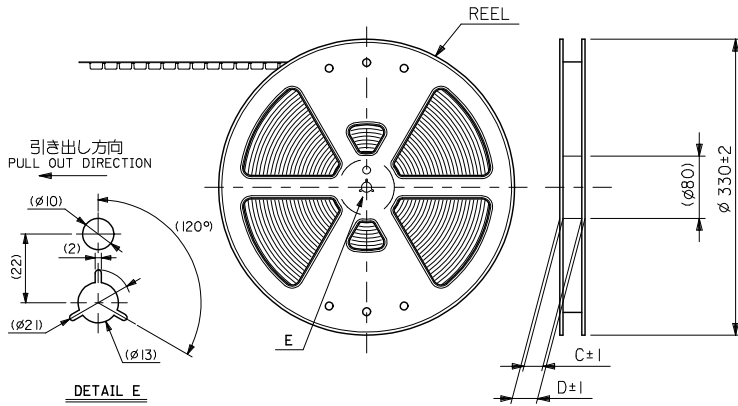
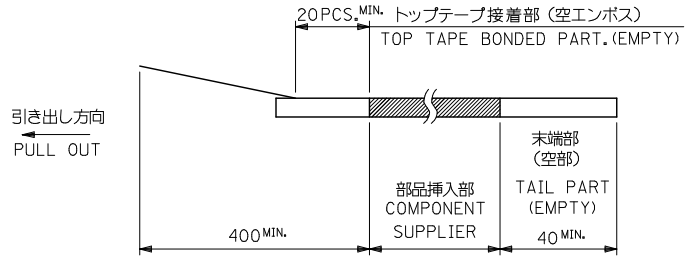


10 9 8 7 6 5 4 3 2 1



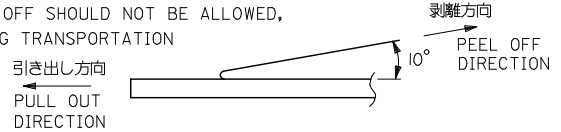
**注記 NOTES**

- 製品番号 52559-\*\*-19 の梱包状態はアクチュエータがロックした状態とする。  
 詳細寸法については図面 SD-52559-027 を参照下さい。  
 IN THE PACKAGE,ACTUATOR OF PART NO.52559-\*\*-19 SHOULD BE LOCKED RE DETAILED DIMENSIONS,SEE SD-52559-027
- 梱包数量：1000個/リール  
 NUMBER OF CONNECTORS:1000PCS/REEL
- リードテープ長さ LEAD TAPE LENGTH



- トップテープの剥離強度：(剥離方向は下図参照)  
 0.1~1.3N {10gf~130gf} 尚、本規格値は、出荷時に適用。  
 (但し、輸送時に剥離が発生しない事。)

PEELING OFF FORCE OF TOP TAPE  
 0.1~1.3N{10gf~130gf}PEELING DIRECTION AS SHOWN IN FOLLOWING FIG.)  
 THIS REQUIREMENT SHOULD BE APPLIED AT SHIPMENT  
 PEEL OFF SHOULD NOT BE ALLOWED,  
 DURING TRANSPORTATION



- 材料  
 キャリアテープ：ポリプロピレン (PP)  
 トップテープ：PET, PE, PEF  
 リール：ポリスチレン (PS) <リサイクル材を含む>

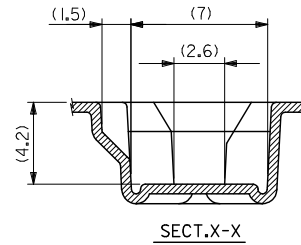
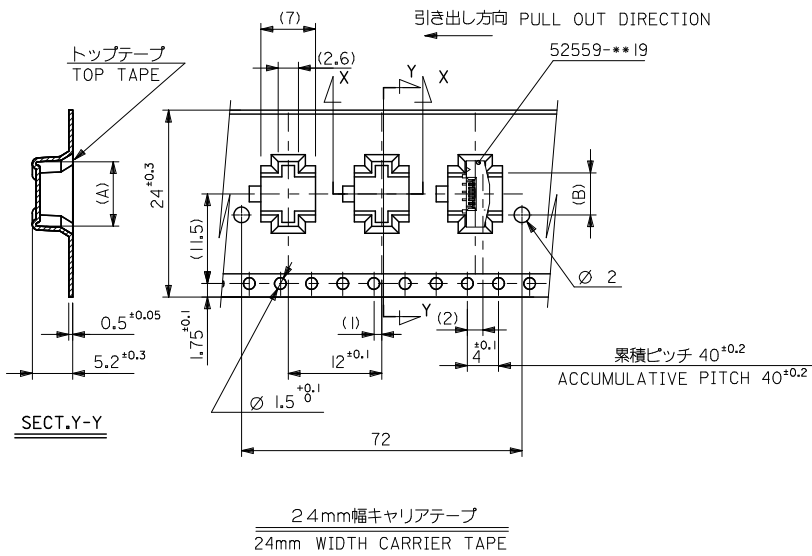
MATERIAL CARRIER TAPE:POLYPROPYLENE  
 TOP TAPE:PET,PE,PEF  
 REEL:POLYSTYRENE(PS)  
 <RECYCLE MATERIAL CONTAINED>

- 本製品は 52559-\*\*-92の鉛フリー品である。  
 THIS PRODUCT IS LEAD FREE OF 52559-\*\*-92
- 本製品は乾燥剤入り、ハイバリア梱包仕様である。  
 THIS PRODUCT IS HIGH BARRIER PACKAGE WITH DESICCANT.

52559-\*\*-72  
 MODEL NO.

REVISED EC NO: J2009-2061 DRAWN BY DRYUNIKON 2009/05/20 CHKD:HATSUMOTO 2009/05/21 APPR:NIKIITA 2009/05/21	GENERAL TOLERANCES (UNLESS SPECIFIED)		DIMENSION STYLE MM ONLY		SCALE ---	DESIGN UNITS METRIC	THIRD ANGLE PROJECTION
	10 UNDER	±0.2	DRAWN BY H. SHIMABUKUR	DATE 2004/01/07	TITLE 0.5 FPC CONN ASSY ZIF SMT ST EMBSTP PKG -LEAD FREE-		
	10 OVER 30 UNDER	±0.25	CHECKED BY K. TOJO	DATE 2004/01/07	MOLEX INCORPORATED		
	30 OVER	±0.3	APPROVED BY M. SASAO	DATE 2004/01/07	MATERIAL NO. SEE SHEET 2-4	DOCUMENT NO. SD-52559-028	SHEET NO. 1 OF 4
	ANGULAR ±3°	DRAFT WHERE APPLICABLE MUST REMAIN WITHIN DIMENSIONS		THIS DRAWING CONTAINS INFORMATION THAT IS PROPRIETARY TO MOLEX INCORPORATED AND SHOULD NOT BE USED WITHOUT WRITTEN PERMISSION			

10 9 8 7 6 5 4 3 2 1

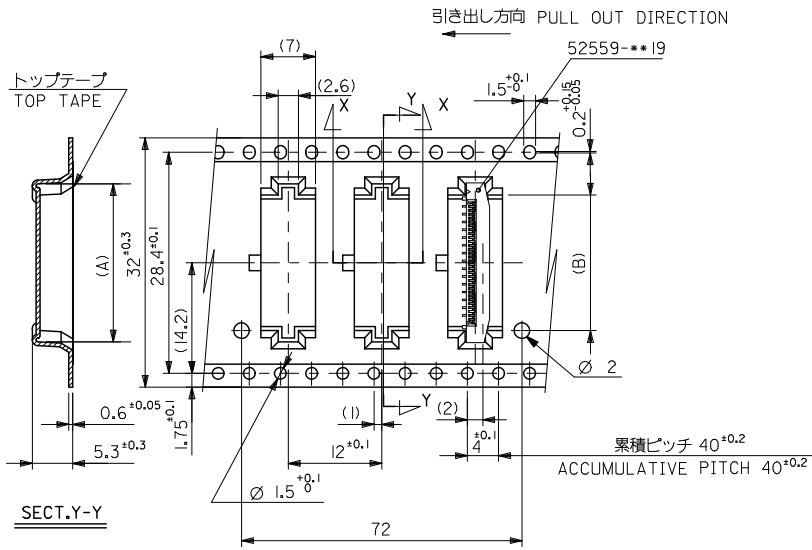


24	29.4	25.4	14.4	17.3	52559-2472	24
			13.9	16.8	52559-2372	23
			12.9	15.8	52559-2172	21
			12.4	15.3	52559-2072	20
			10.9	13.8	52559-1772	17
			10.4	13.3	52559-1672	16
			9.9	12.8	52559-1572	15
			9.4	12.3	52559-1472	14
			8.4	11.3	52559-1272	12
			7.4	10.3	52559-1072	10
			6.9	9.8	52559-0972	9
5.4	8.3	52559-0672	6			

52559-**72	キャリアテープ幅	D	C	(B)	(A)	MATERIAL NO.	CIRCUIT NO.
MODEL NO.	CARRIER TAPE WIDTH						

REVISED ELC NO: J2009-2061 DRAWN BY CHYKOHMATSUNO 2009/05/21 APPR:NIKI TA 2009/05/21	GENERAL TOLERANCES (UNLESS SPECIFIED)		DIMENSION STYLE	SCALE	DESIGN UNITS	THIRD ANGLE PROJECTION	
			MM ONLY	---	METRIC		
	10 UNDER	±0.2	DRAWN BY	H. SHIMABUKUR	DATE	2004/01/07	TITLE 0.5 FPC CONN ASSY ZIF SMT ST EMBSTP PKG -LEAD FREE-
	10 OVER 30 UNDER	±0.25	CHECKED BY	K. TOJO	DATE	2004/01/07	
	30 OVER	±0.3	APPROVED BY	M. SASAO	DATE	2004/01/07	MOLEX INCORPORATED DOCUMENT NO. SD-52559-028 SHEET NO. 2 OF 4
ANGULAR	±3 °	MATERIAL NO.	SEE TABLE				
DRAFT WHERE APPLICABLE MUST REMAIN WITHIN DIMENSIONS		SIZE	THIS DRAWING CONTAINS INFORMATION THAT IS PROPRIETARY TO MOLEX INCORPORATED AND SHOULD NOT BE USED WITHOUT WRITTEN PERMISSION				

10 9 8 7 6 5 4 3 2 1



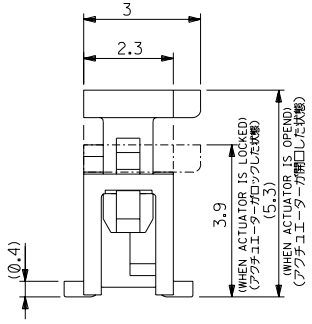
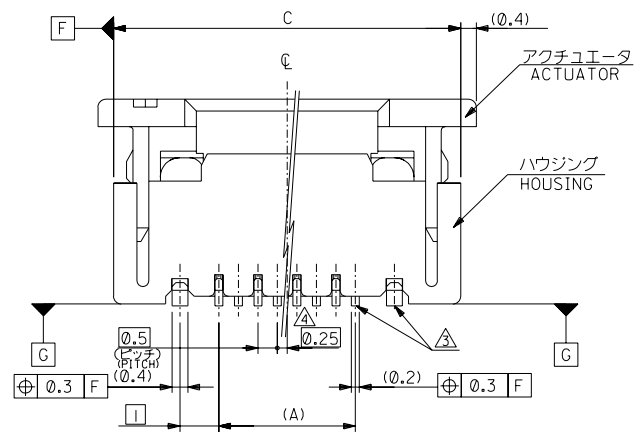
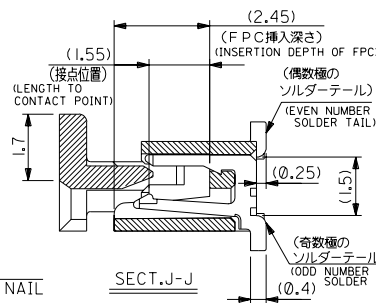
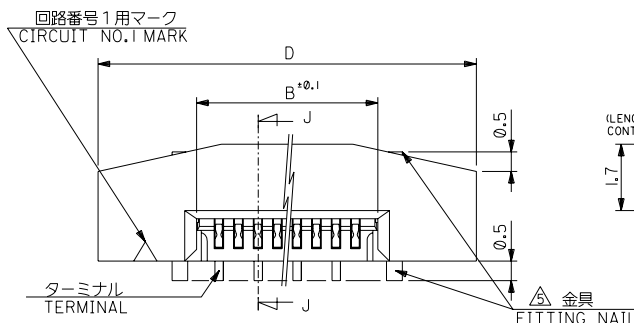
52559-**-72	キャリアテープ幅 CARRIER TAPE WIDTH	D	C	18.4	21.3	52559-3272	32		
				17.4	20.3	52559-3072	30		
				16.4	19.3	52559-2872	28		
				15.9	18.8	52559-2772	27		
				15.4	18.3	52559-2672	26		
MODEL NO.				(B)	(A)	MATERIAL NO.	CIRCUIT NO.		
GENERAL TOLERANCES (UNLESS SPECIFIED)		DIMENSION STYLE MM ONLY		SCALE ---		DESIGN UNITS METRIC		THIRD ANGLE PROJECTION	
10 UNDER	±0.2	DRAWN BY H. SHIMABUKUR		DATE 2004/01/07		TITLE 0.5 FPC CONN ASSY ZIF SMT ST EMBSTP PKG -LEAD FREE-			
10 OVER 30 UNDER	±0.25	CHECKED BY K. TOJO		DATE 2004/01/07		MOLEX INCORPORATED			
30 OVER	±0.3	APPROVED BY M. SASAO		DATE 2004/01/07					
ANGULAR ±3 °		MATERIAL NO. SEE TABLE		DOCUMENT NO. SD-52559-028		SHEET NO. 3 OF 4			
DRAFT WHERE APPLICABLE MUST REMAIN WITHIN DIMENSIONS		THIS DRAWING CONTAINS INFORMATION THAT IS PROPRIETARY TO MOLEX INCORPORATED AND SHOULD NOT BE USED WITHOUT WRITTEN PERMISSION							

ib\_frame\_A3\_J\_ME\_S  
Rev. E 2006/04/15

EN-02JA(021)



DWG. NO. SD-52559-045



注記 NOTES

- I. 使用材料: MATERIAL
- ハウジング HOUSING : 46NYLON UL94V-0
  - アクチュエータ ACTUATOR : PPS UL94V-0
  - ターミナル TERMINAL : リン青銅 (t=0.2) PHOS-BRO
  - 金具 FITTING NAIL : 銅ビスマスマック 1.0マイクromメートル以上 TIN-BISMUTH 1.0 MICROMETER MINIMUM
  - ニッケル下地 1.0マイクromメートル以上 NICKEL(UNDER PLATING) 1.0 MICROMETER MINIMUM
  - リン青銅 (t=0.4) PHOS-BRO
  - 銅メッキ 1.0マイクromメートル以上 TIN 1.0 MICROMETER MINIMUM
  - ニッケル下地 1.0マイクromメートル以上 NICKEL(UNDER PLATING) 1.0 MICROMETER MINIMUM
2. エンボステップ梱包時は、アクチュエータがロックした状態とする。  
IN THE PACKAGE, ACTUATOR OF PART NO.52559-\*\*\*9 SHOULD BE LOCKED.
- △ソルダータール半田付け面のズレ量、及び金具半田付け面のズレ量は、基準面 [G] に対し上方向 0.05 MAX.、下方向 0.15 MAX.とする。  
MISALIGNMENT OF SOLDER TAILS AND FITTING NAILS FROM [G] UPPER DIRECTION: 0.05 MAX. . LOWER DIRECTION: 0.15 MAX.
- △偶数種に適用。  
APPLY FOR EVEN CIRCUIT.
- △パタンはくくり止め用金具。  
FITTING NAIL FOR PREVENTION OF PEELING OF P.C.B. PATTERN.
- △RO. 3は、FPCの導体部にかからないこと。  
RO.3 MUST NOT BE OVERLAPPED TO PATTERN OF FPC.
7. 本製品は 52559-\*\*\*17 の鉛フリー品である。  
THIS PRODUCT IS LEAD FREE OF 52559-\*\*\*17

DO NOT SCALE DRAWING

8 8BAND. DRWN: CHK: APPR: 7 E33NO. DRWN: CHK: APPR: E32NO. DRWN: CHK: APPR: REVISED E31 NO. J2004-3551 DRWN: H. KAWABATA CHK: K. TOJO APPR: H. SAEKI 6 RELEASED E30 NO. J2004-1818 DRWN: H. SHIMABUKURO CHK: K. TOJO APPR: H. SAEKI 5 MATERIAL 材料 注記参照 SEE NOTES FINISH 仕上げ WIRE RANGE 適用電線範囲 INS. RANGE 被覆外径 REV DESCRIPTION		4 GENERAL TOLERANCES: (UNLESS SPECIFIED) 一般公差 10 UNDER 未満 +0.2 10 OVER 以上 30 UNDER 未満 +0.25 30 OVER 以上 +0.3 ANGLE 角度 +3°		3 SCALE 比例尺 DESIGN UNITS 設計単位 <input checked="" type="checkbox"/> mm <input type="checkbox"/> INCH DRAWN BY & DATE H. SHIMABUKURO '04/01/07 CHECKED BY & DATE K. TOJO '04/01/07 APPROVED BY & DATE H. SAEKI '04/01/07 CAD FILENAME SD-52559-045.S01		2 MODEL NO. 52559-***19 DIMENSIONS: 寸法 <input type="checkbox"/> mm <input type="checkbox"/> INCH <input checked="" type="checkbox"/> mm ONLY <input type="checkbox"/> SHT <input type="checkbox"/> REV <input type="checkbox"/> INCH <input type="checkbox"/> mm ONLY <input checked="" type="checkbox"/> CAD ONLY TITLE: 0.5 FPC Conn. Assy ZIF. -LEAD FREE- MOLEX INCORPORATED		1 SHEET NO. 1 OF 2 SIZE B EN-02J(097) MXJ-54	
---	--	---	--	--	--	--	--	---	--

DWG. NO. SD-52559-045

F

D

C

B

DO NOT SCALE DRAWING

8 7 6 5 4 3 2 1

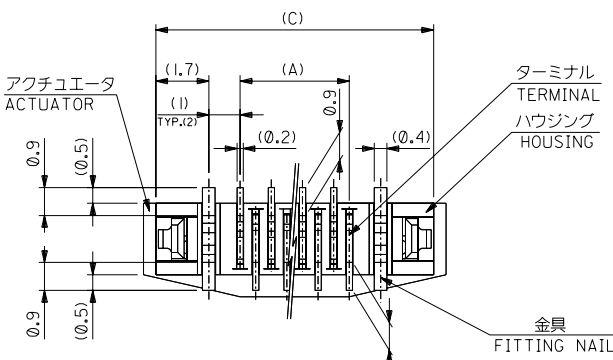
F

E

D

C

B

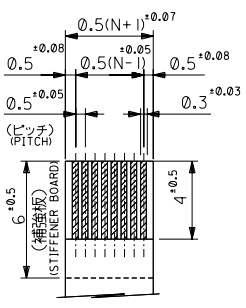


FPCについて：  
 打抜き方向は導体側から補強板側を推奨致します。  
 補強フィルム材質はポリイミドを推奨致します。  
 接着剤は熱硬化接着剤を推奨致します。

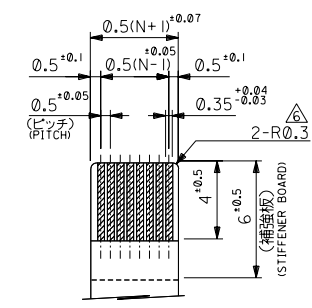
ABOUT FPC：  
 RECOMMENDED PUNCHER DIRECTION : FROM CONDUCTOR SIDE TO STIFFENER BOARD SIDE.  
 RECOMMENDED MATERIAL：  
 STIFFENER FILM : POLYIMIDE  
 BONDING AGENT : THERMOSETTING BONDING AGENT

25.7	24.9	20.65	19.5	52559-40	19	40
23.7	22.9	18.65	17.5		-36	36
22.2	21.4	17.15	16.0		-33	33
21.7	20.9	16.65	15.5		-32	32
21.2	20.4	16.15	15.0		-31	31
20.7	19.9	15.65	14.5		-30	30
20.2	19.4	15.15	14.0		-29	29
19.7	18.9	14.65	13.5		-28	28
19.2	18.4	14.15	13.0		-27	27
18.7	17.9	13.65	12.5		-26	26
18.2	17.4	13.15	12.0		-25	25
17.7	16.9	12.65	11.5		-24	24
17.2	16.4	12.15	11.0		-23	23
16.7	15.9	11.65	10.5		-22	22
16.2	15.4	11.15	10.0		-21	21
15.7	14.9	10.65	9.5		-20	20
15.2	14.4	10.15	9.0		-19	19
14.7	13.9	9.65	8.5		-18	18
14.2	13.4	9.15	8.0		-17	17
13.7	12.9	8.65	7.5		-16	16
13.2	12.4	8.15	7.0		-15	15
12.7	11.9	7.65	6.5		-14	14
12.2	11.4	7.15	6.0		-13	13
11.7	10.9	6.65	5.5		-12	12
11.2	10.4	6.15	5.0		-11	11
10.7	9.9	5.65	4.5		-10	10
10.2	9.4	5.15	4.0		-09	9
9.7	8.9	4.65	3.5		-08	8
8.7	7.9	3.65	2.5	52559-06	19	6
D	C	B	(A)	MATERIAL NO.	種数	CTY

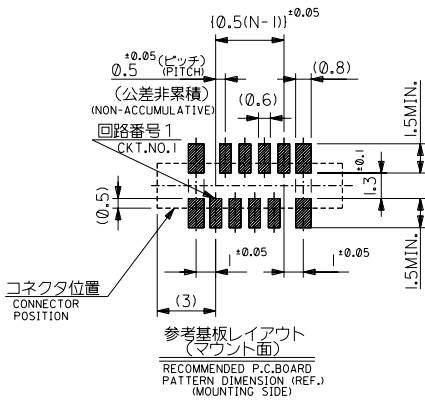
下面図  
BOTTOM VIEW



適合FPC推奨寸法  
 APPLICABLE FPC  
 RECOMMENDED DIMENSION.  
 (仕上がり厚さ: 0.3<sup>+0.05</sup>)  
 (THICKNESS: 0.3<sup>+0.05</sup>)



適合FPC推奨寸法  
 APPLICABLE FPC  
 RECOMMENDED DIMENSION.  
 (仕上がり厚さ: 0.3<sup>+0.05</sup>)  
 (THICKNESS: 0.3<sup>+0.05</sup>)



コネクタ位置  
CONNECTOR POSITION

参考基板レイアウト  
(マウント面)  
RECOMMENDED P.C. BOARD  
PATTERN DIMENSION (REF.)  
(MOUNTING SIDE)

REV. NO.	REVISED	GENERAL TOLERANCES: (UNLESS SPECIFIED)	SCALE	DESIGN UNITS	MODEL NO.	52559-0019	DIMENSIONS:	SHT	REV			
DRWN: H. SAKABE	DRWN: H. SAKABE	10 UNDER 未満	1:1	mm	PROJ	0	mm	2	1			
CHK: K. TOJO	CHK: K. TOJO	10 OVER 以上		INCH	ANGLE	0	INCH	2	1			
APPR: H. SAKABE	APPR: H. SAKABE	30 UNDER 未満			PROJECTION	0	mm	2	1			
REV. NO.	RELEASED	30 OVER 以上			TITLE:	0.5 FPC Conn. Assy ZIF. -LEAD FREE-						
DRWN: H. SAKABE	DRWN: H. SAKABE	ANGLE 角度			APPROVED BY & DATE	MOLEX INCORPORATED						
CHK: K. TOJO	CHK: K. TOJO				CAD FILENAME	SD-52559-045.S02	MATERIAL NO.	SEE CHART	DRAWING NO.	SD-52559-045	SHEET NO.	2 OF 2
APPR: H. SAKABE	APPR: H. SAKABE										SIZE	B
												EN-02J(097) MXJ-54

25.7 24.9 20.65 19.5 52559-40 19 40