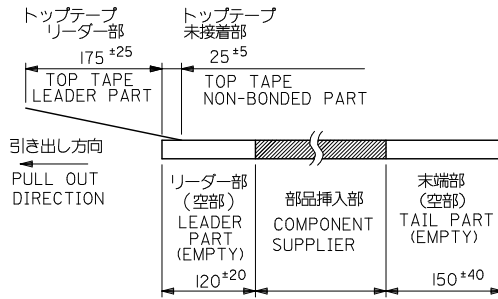
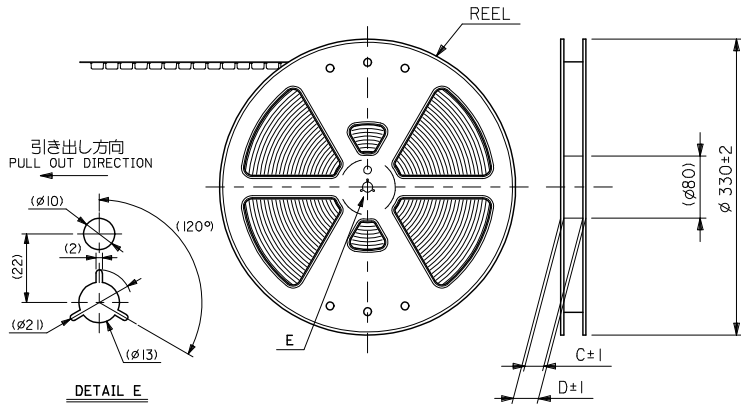


注記 NOTES

- 製品番号 52559-***19 の梱包状態はアクチュエータがロックした状態とする。
 詳細寸法については図面 SD-52559-***19 を参照下さい。
 IN THE PACKAGE,ACTUATOR OF PART NO.52559-***19 SHOULD BE LOCKED RE DETAILED DIMENSIONS,SEE SD-52559-***19
- 梱包数量：1000個/リール
 NUMBER OF CONNECTORS:1000PCS/REEL
- リードテープ長さ LEAD TAPE LENGTH



5. 材料 キャリアテープ：ポリプロピレン (PP)
 トップテープ：PET, PE, PEF
 リール：ポリスチレン (PS) <リサイクル材を含む>

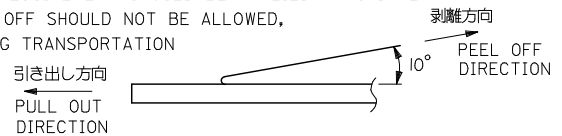
MATERIAL CARRIER TAPE:POLYPROPYLENE
 TOP TAPE:PET,PE,PEF
 REEL:POLYSTYREN(PS)
 <RECYCLE MATERIAL CONTAINED>

6. 本製品は 52559-***90 の鉛フリー品である。
 THIS PRODUCT IS LEAD FREE OF

7. 本製品は乾燥剤入り、ハイバリア梱包仕様である。
 THIS PRODUCT IS HIGH BARRIER PACKAGE WITH DESICCANT.

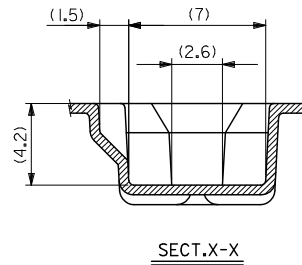
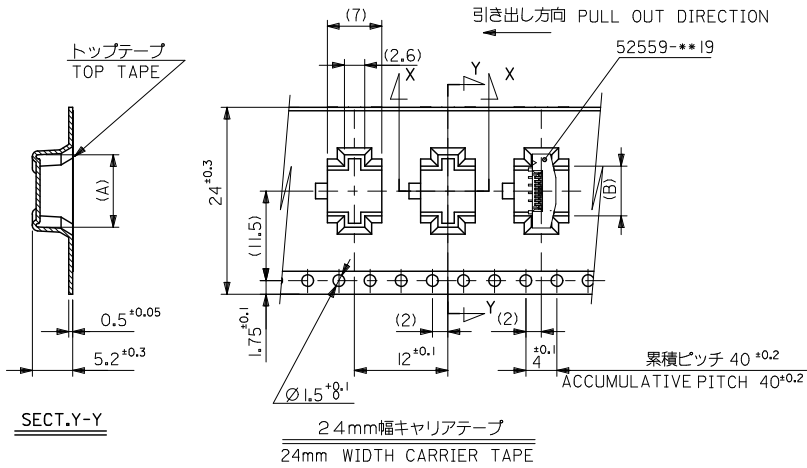
- トップテープの剥離強度：(剥離方向は下図参照)
 0.1N~1.3N (10gf~130gf)毎、本規格値は、出荷時に適用。
 (但し、輸送時に剥離が発生しない事。)

PEELING OFF FORCE OF TOP TAPE
 0.1~1.3N(10gf~130gf)(PEELING DIRECTION AS SHOWN IN FOLLOWING FIG.)
 THIS REQUIREMENT SHOULD BE APPLIED AT SHIPMENT
 PEEL OFF SHOULD NOT BE ALLOWED,
 DURING TRANSPORTATION



REVISED EC NO: J2009-2061 DRAWN BY DRYKUN 2009/05/20 CHECKED BY CHYKHMATSUMOTO 2009/05/21 APPROVED BY APPRNKIKITA 2009/05/21	GENERAL TOLERANCES (UNLESS SPECIFIED)		DIMENSION STYLE MM ONLY		SCALE ---	52559-***70	MODEL NO.	
	10 UNDER	±0.2	DRAWN BY HSHIMABUKURO	DATE '04/01/07	TITLE	DESIGN UNITS METRIC	THIRD ANGLE PROJECTION	
	10 OVER 30 UNDER	±0.25	CHECKED BY KT0JO	DATE '04/01/07	0.5 FPC CONN ASSY ZIF SMT SMT EMBSTP PKG -LEAD FREE-	MOLEX INCORPORATED	SHEET NO. 1 OF 4	
	30 OVER	±0.3	APPROVED BY MSASAO	DATE '04/01/07				
ANGULAR	±3 °	MATERIAL NO. SEE SHEET 2-4		DOCUMENT NO. SD-52559-029				
DRAFT WHERE APPLICABLE MUST REMAIN WITHIN DIMENSIONS			THIS DRAWING CONTAINS INFORMATION THAT IS PROPRIETARY TO MOLEX INCORPORATED AND SHOULD NOT BE USED WITHOUT WRITTEN PERMISSION					

10 9 8 7 6 5 4 3 2 1

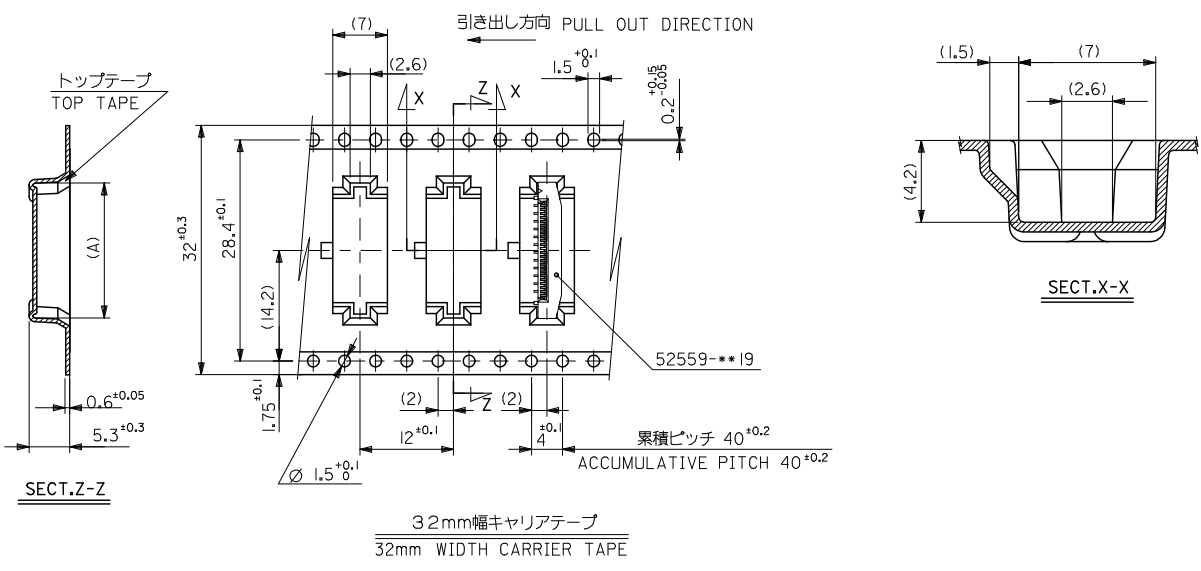


24	29.4	25.4	13.4	16.3	52559-2270	22
			12.4	15.3	52559-2070	20
			11.9	14.8	52559-1970	19
			11.4	14.3	52559-1870	18
			10.4	13.3	52559-1670	16
			9.9	12.8	52559-1570	15
			9.4	12.3	52559-1470	14
			8.9	11.8	52559-1370	13
			8.4	11.3	52559-1270	12
			7.9	10.8	52559-1170	11
6.4	9.3	52559-0870	8			
5.4	8.3	52559-0670	6			

MODEL No.52559-**-70 キャリアテープ幅 24mm CARRIER TAPE WIDTH D C (B) (A) MATERIAL. NO. 極微細

REVISED ELC NO: J2009-2061 DRAWN BY: DRWNTKON 2009/05/20 CHYKOHMATSUOTO 2009/05/21 APPR:NIKIITA 2009/05/21	GENERAL TOLERANCES (UNLESS SPECIFIED)		DIMENSION STYLE MM ONLY		SCALE ---	DESIGN UNITS METRIC	THIRD ANGLE PROJECTION
	10 UNDER	±0.2	DRAWN BY HSHIMABUKURO	DATE '04/01/07	TITLE 0.5 FPC CONN ASSY ZIF SMT SMT EMBSTP PKG -LEAD FREE-		
	10 OVER 30 UNDER	±0.25	CHECKED BY KT0JO	DATE '04/01/07	MOLEX INCORPORATED		
	30 OVER	±0.3	APPROVED BY MSASAO	DATE '04/01/07	DOCUMENT NO. SD-52559-029	SHEET NO. 2 OF 4	
ANGULAR ±3°		DRAFT WHERE APPLICABLE MUST REMAIN WITHIN DIMENSIONS		MATERIAL NO. SEE TABLE			
SIZE A3				THIS DRAWING CONTAINS INFORMATION THAT IS PROPRIETARY TO MOLEX INCORPORATED AND SHOULD NOT BE USED WITHOUT WRITTEN PERMISSION			

10 9 8 7 6 5 4 3 2 1



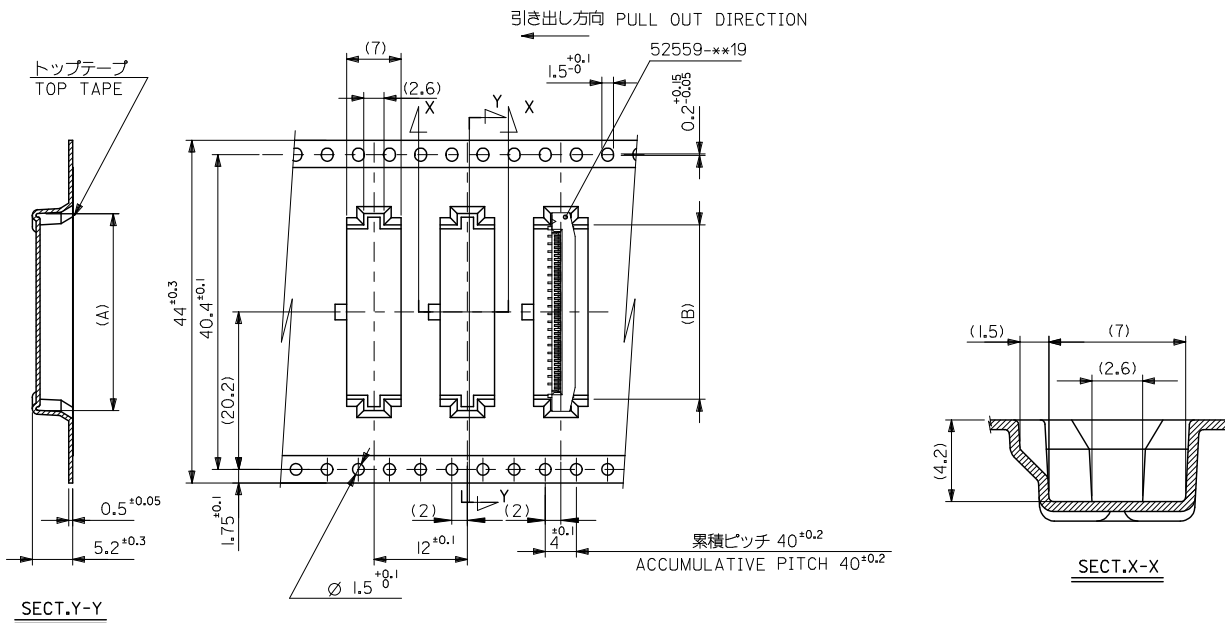
32mm幅キャリアテープ
32mm WIDTH CARRIER TAPE

32	37.4	33.4	18.9	21.8	52559-3370	33
			18.4	21.3	52559-3270	32
			17.4	20.3	52559-3070	30
			16.4	19.3	52559-2870	28
			15.4	18.3	52559-2670	26
			14.9	17.8	52559-2570	25
			14.4	17.3	52559-2470	24

MODEL No.52559-***70 キャリアテープ幅 CARRIER TAPE WIDTH D C (B) (A) MATERIAL. NO. 種別コード

REVISED IEC NO: J2009-2061 DRAWN BY: CHYKOHMATSUNO CHECKED BY: APPR:NIKIITA DATE: 2009/05/20 DATE: 2009/05/21 DATE: 2009/05/21	GENERAL TOLERANCES (UNLESS SPECIFIED)		DIMENSION STYLE MM ONLY		SCALE ---	DESIGN UNITS METRIC	THIRD ANGLE PROJECTION
	10 UNDER	±0.2	DRAWN BY HSHIMABUKURO	DATE '04/01/07	TITLE 0.5 FPC CONN ASSY ZIF SMT SMT EMBSTP PKG -LEAD FREE-		
	10 OVER 30 UNDER	±0.25	CHECKED BY KTOJO	DATE '04/01/07	MOLEX INCORPORATED		
	30 OVER	±0.3	APPROVED BY MSASAO	DATE '04/01/07	MATERIAL NO. SEE TABLE	DOCUMENT NO. SD-52559-029	SHEET NO. 3 OF 4
	ANGULAR ±3 °		DRAFT WHERE APPLICABLE MUST REMAIN WITHIN DIMENSIONS		THIS DRAWING CONTAINS INFORMATION THAT IS PROPRIETARY TO MOLEX INCORPORATED AND SHOULD NOT BE USED WITHOUT WRITTEN PERMISSION		

10 9 8 7 6 5 4 3 2 1

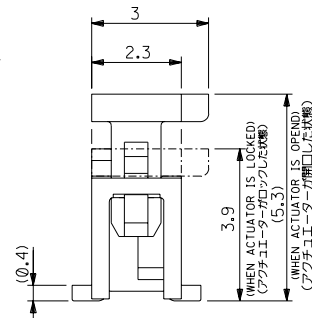
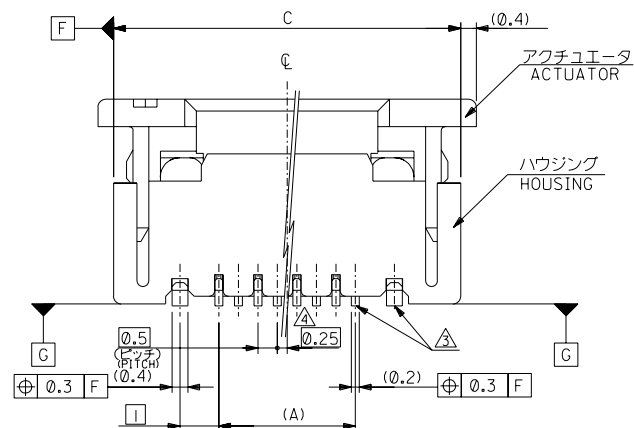
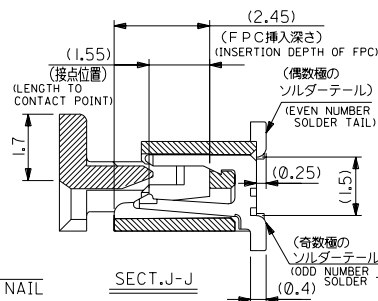
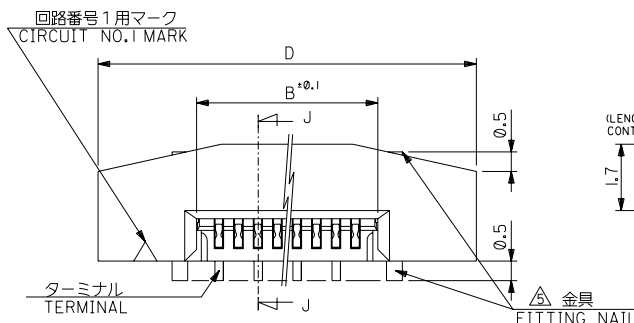


44mm幅キャリアテープ
44mm WIDTH CARRIER TAPE

44	49.4	45.4	22.4	25.3	52559-4070	40
20.4	23.3	(B)	(A)	52559-3670	MATERIAL NO.	CIRCUIT NO.
DIMENSION STYLE		SCALE	DESIGN UNITS		THIRD ANGLE PROJECTION	
MM ONLY		---	METRIC			
DRAWN BY DATE		TITLE				
HSHIMABUKURO '04/01/07		0.5 FPC CONN ASSY ZIF				
CHECKED BY DATE		SMT ST EMBSTP PKG				
KT0JO '04/01/07		-LEAD FREE-				
APPROVED BY DATE		MOLEX		MOLEX INCORPORATED		
MSASAO '04/01/07		DOCUMENT NO.		SD-52559-029		
MATERIAL NO.		SEE TABLE		SHEET NO.		
				4 OF 4		
THIS DRAWING CONTAINS INFORMATION THAT IS PROPRIETARY TO MOLEX INCORPORATED AND SHOULD NOT BE USED WITHOUT WRITTEN PERMISSION						

REVISED	DESCRIPTION
1	GENERAL TOLERANCES (UNLESS SPECIFIED)
2	10 UNDER ±0.2
3	10 OVER 30 UNDER ±0.25
4	30 OVER ±0.3
5	ANGULAR ±3 °
6	DRAFT WHERE APPLICABLE MUST REMAIN WITHIN DIMENSIONS

DWG. NO. SD-52559-045



注記 NOTES

- I. 使用材料: MATERIAL
- ハウジング HOUSING : 46NYLON UL94V-0
 - アクチュエータ ACTUATOR : PPS UL94V-0
 - ターミナル TERMINAL : リン青銅 (t=0.2) PHOS-BRO
 - 金具 FITTING NAIL : 銅ビスマスメッキ 1.0マイクrometer以上 TIN-BISMUTH 1.0 MICROMETER MINIMUM
 - ニッケル下地 1.0マイクrometer以上 NICKEL(UNDER PLATING) 1.0 MICROMETER MINIMUM
 - リン青銅 (t=0.4) PHOS-BRO
 - 銅メッキ 1.0マイクrometer以上 TIN 1.0 MICROMETER MINIMUM
 - ニッケル下地 1.0マイクrometer以上 NICKEL(UNDER PLATING) 1.0 MICROMETER MINIMUM
2. エンボステップ梱包時は、アクチュエータがロックした状態とする。
IN THE PACKAGE, ACTUATOR OF PART NO.52559-***9 SHOULD BE LOCKED.
- △ソルダータール半田付け面のズレ量、及び金具半田付け面のズレ量は、基準面 [G] に対し上方向 0.05 MAX.、下方向 0.15 MAX.とする。
MISALIGNMENT OF SOLDER TAILS AND FITTING NAILS FROM [G] UPPER DIRECTION: 0.05 MAX. . LOWER DIRECTION: 0.15 MAX.
- △偶数種に適用。
APPLY FOR EVEN CIRCUIT.
- △パタンはくくり止め用金具。
FITTING NAIL FOR PREVENTION OF PEELING OF P.C.B. PATTERN.
- △RO. 3は、FPCの導体部にかからないこと。
RO.3 MUST NOT BE OVERLAPPED TO PATTERN OF FPC.
7. 本製品は 52559-***17 の鉛フリー品である。
THIS PRODUCT IS LEAD FREE OF 52559-***17

DO NOT SCALE DRAWING

8 8BAND. DRWN: CHK: APPR: 7 E33NO. DRWN: CHK: APPR: E32NO. DRWN: CHK: APPR: REVISED E31 NO. J2004-3551 DRWN: H. KAWABATA CHK: K. TOJO APPR: H. SAEKI RELEASED E30 NO. J2004-1818 DRWN: H. SHIMABUKURO CHK: K. TOJO APPR: H. SAEKI		6 MATERIAL 材料 注記参照 SEE NOTES FINISH 仕上げ WIRE RANGE 適用電線範囲 INS. RANGE 被覆外径		5 GENERAL TOLERANCES: (UNLESS SPECIFIED) 一般公差 10 UNDER 未満 +0.2 10 OVER 以上 30 UNDER 未満 +0.25 30 OVER 以上 +0.3 ANGLE 角度 +3°		4 SCALE 縮尺 DESIGN UNITS 設計単位 <input checked="" type="checkbox"/> mm <input type="checkbox"/> INCH DRAWN BY & DATE H. SHIMABUKURO '04/01/07 CHECKED BY & DATE K. TOJO '04/01/07 APPROVED BY & DATE H. SAEKI '04/01/07 CAD FILENAME SD-52559-045.S01		3 DIMENSIONS: 寸法 <input type="checkbox"/> mm <input type="checkbox"/> INCH <input checked="" type="checkbox"/> mm ONLY <input type="checkbox"/> INCH <input type="checkbox"/> mm SHT REV 2 2 REVISE ON CAD ONLY TITLE: 0.5 FPC Conn. Assy ZIF. -LEAD FREE- MOLEX INCORPORATED		2 MATERIAL NO. SEE CHART DRAWING NO. SD-52559-045 SHEET NO. 1 OF 2 SIZE B EN-02J(097) MXJ-54	
--	--	---	--	---	--	---	--	--	--	---	--

DWG. NO. SD-52559-045

F

D

V

C

B

DO NOT SCALE DRAWING

8 7 6 5 4 3 2 1

F

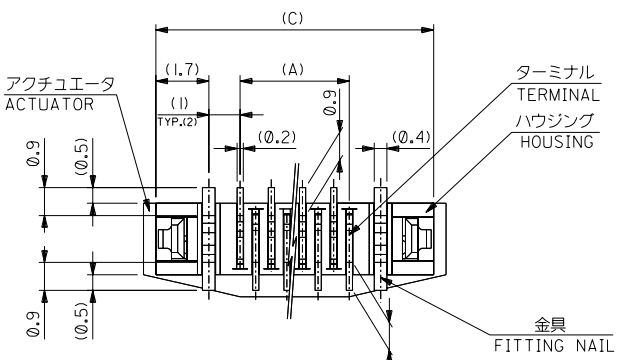
E

D

C

B

25
52-52559-045

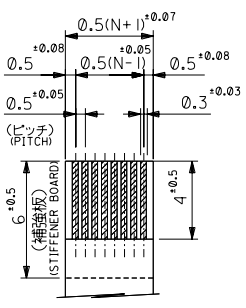


FPCについて：
打抜き方向は導体側から補強板側を推奨致します。
補強フィルム材質はポリイミドを推奨致します。
接着剤は熱硬化接着剤を推奨致します。

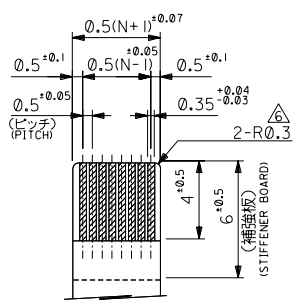
ABOUT FPC :
RECOMMENDED PUNCHER DIRECTION : FROM CONDUCTOR SIDE TO STIFFENER BOARD SIDE.
RECOMMENDED MATERIAL :
STIFFENER FILM : POLYIMIDE
BONDING AGENT : THERMOSETTING BONDING AGENT

25.7	24.9	20.65	19.5	52559-40	19	40
23.7	22.9	18.65	17.5		-36	36
22.2	21.4	17.15	16.0		-33	33
21.7	20.9	16.65	15.5		-32	32
21.2	20.4	16.15	15.0		-31	31
20.7	19.9	15.65	14.5		-30	30
20.2	19.4	15.15	14.0		-29	29
19.7	18.9	14.65	13.5		-28	28
19.2	18.4	14.15	13.0		-27	27
18.7	17.9	13.65	12.5		-26	26
18.2	17.4	13.15	12.0		-25	25
17.7	16.9	12.65	11.5		-24	24
17.2	16.4	12.15	11.0		-23	23
16.7	15.9	11.65	10.5		-22	22
16.2	15.4	11.15	10.0		-21	21
15.7	14.9	10.65	9.5		-20	20
15.2	14.4	10.15	9.0		-19	19
14.7	13.9	9.65	8.5		-18	18
14.2	13.4	9.15	8.0		-17	17
13.7	12.9	8.65	7.5		-16	16
13.2	12.4	8.15	7.0		-15	15
12.7	11.9	7.65	6.5		-14	14
12.2	11.4	7.15	6.0		-13	13
11.7	10.9	6.65	5.5		-12	12
11.2	10.4	6.15	5.0		-11	11
10.7	9.9	5.65	4.5		-10	10
10.2	9.4	5.15	4.0		-09	9
9.7	8.9	4.65	3.5		-08	8
8.7	7.9	3.65	2.5	52559-06	19	6
D	C	B	(A)	MATERIAL NO.	種数	CTY

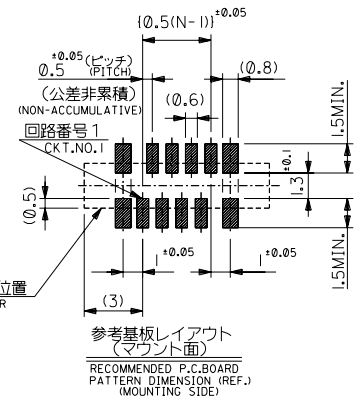
下面図
BOTTOM VIEW



適合FPC推奨寸法
APPLICABLE FPC
RECOMMENDED DIMENSION.
(仕上がり厚さ: 0.3^{+0.05})
(THICKNESS: 0.3^{+0.05})



適合FPC推奨寸法
APPLICABLE FPC
RECOMMENDED DIMENSION.
(仕上がり厚さ: 0.3^{+0.05})
(THICKNESS: 0.3^{+0.05})



推奨P.C.ボードパターン寸法 (マウント面)
RECOMMENDED P.C. BOARD
PATTERN DIMENSION (REF.)
(MOUNTING SIDE)

EGBNO. DRWNG. CHK'G. APPR: EGBNO. DRWNG. CHK'G. APPR: EGBNO. DRWNG. CHK'G. APPR:		REVISED EGBNO. J2004-3551 DRWNG. HAMAGATA CHK'G. K. TOJO APPR: H. SALAB	RELEASED EGBNO. J2004-1818 DRWNG. SHIMABUKURO CHK'G. K. TOJO APPR: H. SALAB	MATERIAL 材料 注記参照 SEE NOTES	GENERAL TOLERANCES: (UNLESS SPECIFIED) 一般公差	SCALE DESIGN UNITS <input checked="" type="checkbox"/> mm <input type="checkbox"/> INCH	MODEL NO. 52559-045 DIMENSIONS: <input checked="" type="checkbox"/> mm <input type="checkbox"/> INCH <input type="checkbox"/> mm ONLY	SHT REV OTHERWISE ON CAD ONLY
WIRE RANGE 適用電線範囲		FINISH 仕上げ		FINISH RANGE 適用電線範囲	10 UNDER 未満 +0.2 10 OVER 以上 30 未満 +0.25 30 OVER 以上 +0.3	DRAWN BY & DATE H. SHIMABUKURO '04/01/07 CHECKED BY & DATE K. TOJO '04/01/07 APPROVED BY & DATE H. SALAB '04/01/07	TITLE: 0.5 FPC Conn. Assy ZIF. -LEAD FREE-	SHEET NO. 2 OF 2
INS. RANGE 適用外径		WIRE RANGE 適用電線範囲		CAD FILENAME SD-52559-045.S02	ANGLE 角度 +3°	MATERIAL NO. SEE CHART DRAWING NO. SD-52559-045	MOLEX INCORPORATED	SIZE B

EN-02J(097) MXJ-54