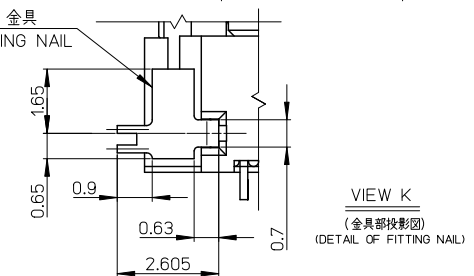
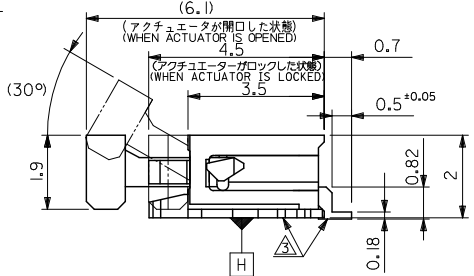
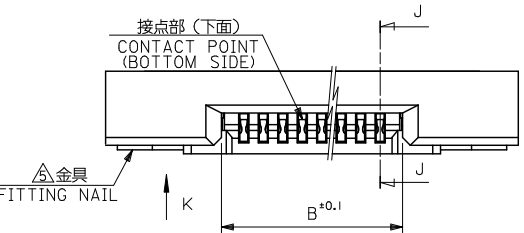
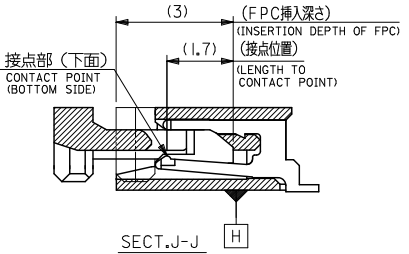
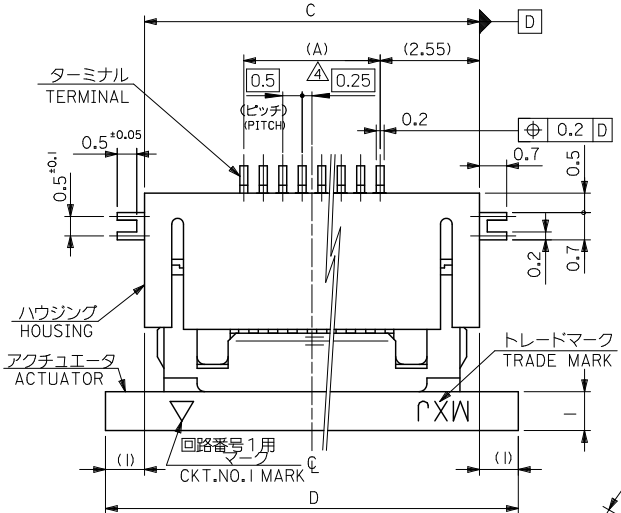


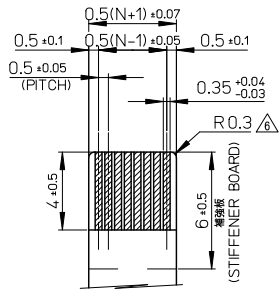
10 9 8 7 6 5 4 3 2 1



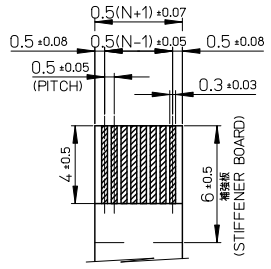
21.6	19.6	15.65	14.5	52437-3072	30
21.1	19.1	15.15	14.0	52437-2972	29
20.6	18.6	14.65	13.5	52437-2872	28
20.1	18.1	14.15	13.0	52437-2772	27
19.6	17.6	13.65	12.5	52437-2672	26
19.1	17.1	13.15	12.0	52437-2572	25
18.6	16.6	12.65	11.5	52437-2472	24
18.1	16.1	12.15	11.0	52437-2372	23
17.6	15.6	11.65	10.5	52437-2272	22
17.1	15.1	11.15	10.0	52437-2172	21
16.6	14.6	10.65	9.5	52437-2072	20
D	C	B	(A)	EMBOSSED PACKAGE ORDER No. オオーダー番号	極数 CKT.

CONNECTOR SERIES NO. : 52437-***26

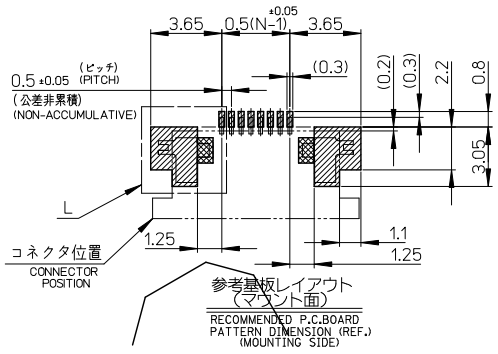
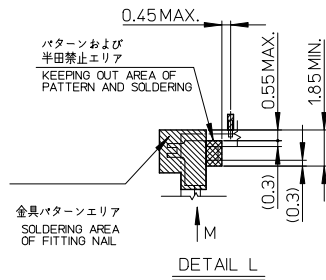
REVISED E.C. NO: J2011-0806 DRW:HYOSHINO 2010/05/12 CHK:KISHINOYAMA 2010/06/10 APPR:KIMORI KAWA 2010/12/17 DESCRIPTION D REV	GENERAL TOLERANCES (UNLESS SPECIFIED)		DIMENSION STYLE MM ONLY		SCALE ---	DESIGN UNITS METRIC	THIRD ANGLE PROJECTION
	10 UNDER	±0.2	DRAWN BY YSAKIYAM	DATE '04/01/08	TITLE 0.5 FPC CONN. ZIF FOR SMT R/A (BOTTOM CONTACT) TIN-BISMUTH PLATING		
	10 OVER 30 UNDER	±0.25	CHECKED BY MSASAO	DATE '04/01/08	MOLEX INCORPORATED		
	30 OVER	±0.3	APPROVED BY MSASAO	DATE '04/01/08	MATERIAL NO. SEE TABLE	DOCUMENT NO. SD-52437-017	SHEET NO. 1 OF 2
ANGULAR ±3° DRAFT WHERE APPLICABLE MUST REMAIN WITHIN DIMENSIONS			THIS DRAWING CONTAINS INFORMATION THAT IS PROPRIETARY TO MOLEX INCORPORATED AND SHOULD NOT BE USED WITHOUT WRITTEN PERMISSION				



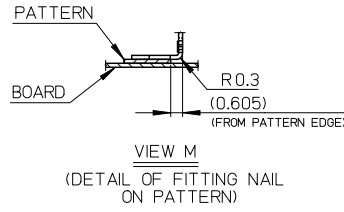
適合銅系めっきFPC推奨寸法
 APPLICABLE FPC OF TIN
 PLATING RECOMMENDED DIMENSION
 仕上がり厚さ: 0.3±0.05
 THICKNESS: 0.3±0.05/-0.05



適合銅系めっきFFC推奨寸法
 APPLICABLE FFC OF TIN
 PLATING RECOMMENDED DIMENSION
 仕上がり厚さ: 0.3±0.05
 THICKNESS: 0.3±0.05/-0.05



参考基板レイアウト
 (マウント面)
 RECOMMENDED P.C. BOARD
 PATTERN DIMENSION (REF.)
 (MOUNTING SIDE)



VIEW M
 (DETAIL OF FITTING NAIL
 ON PATTERN)

注記NOTES

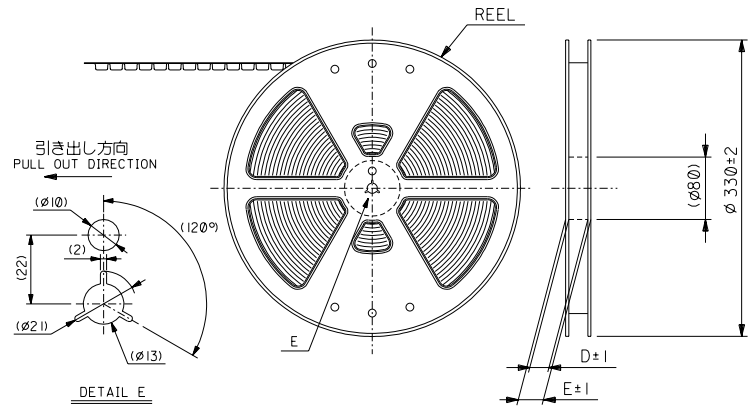
- 1.使用材料
 MATERIAL
 ハウジング: 46ナイロン、ガラス充填、UL94V-0、白
 HOUSING: PA46, GLASS FILLED, UL94V-0, WHITE
 アクチュエータ: ポリフェニレンサルファイド (PPS)、ガラス充填、UL94V-0、茶色
 ACTUATOR: POLYPHENYLENE SULFIDE, GLASS FILLED, UL94V-0, BROWN
 ターミナル: リン青銅、ニッケル下地鍍びスマスめっき (I=0.2)
 TERMINAL: PHOSPHOR BRONZE, TIN BISMUTH OVER NICKEL PLATING
 金具: リン青銅、ニッケル下地鍍びめっき (I=0.2)
 FITTING NAIL: PHOSPHOR BRONZE, TIN OVER NICKEL PLATING
- 2.エンボステープ梱包時は、アクチュエータがロックした状態になります。
 IN THE PACKAGE, ACTUATOR OF PART
 NO.52437-**-26 SHOULD BE LOCKED.
- △ ソルダータール半田付け面のズレ量、及び金具半田付け面のズレ量は、
 基準面Hに対して上方向に0.1MAXIMUM、下方向0.15MAXIMUMとする。
 MISALIGNMENT OF SOLDER TAILS AND FITTING NAILS FROM
 DATUM-H.
 UPPER DIRECTION: 0.1MAXIMUM
 LOWER DIRECTION: 0.15 MAXIMUM
- △ 偶数極に適用
 APPLY FOR EVEN CIRCUIT.
- △ ハターン制離止め金具
 FITTING NAIL FOR PREVENTION OF PEELING OF P.W.B. PATTERN.
- △ R0.3は、FPCの導体部にかからないこと
 R0.3 MUST NOT BE OVERLAPED TO PATTERN OF FPC.
7. ソルダータールの平坦度は、0.1MAXIMUMとする。
 SOLDER TAIL COPLANARITY IS 0.1 MAXIMUM.
8. ELV 及び RoHS 適合品
 ELV AND RoHS COMPLIANT

FPCについて:
 打抜き方向は導体側から補強板側を推奨致します。
 補強フィルム材質はポリイミドを推奨致します。
 接着剤は熱硬化接着剤を推奨致します。

ABOUT FPC:
 RECOMMENDED PUNCHER DIRECTION :
 FROM CONDUCTOR SIDE TO STIFFENER BOARD SIDE.
 RECOMMENDED MATERIAL:
 STIFFENER FILM : POLYIMIDE
 BONDING AGENT : THERMOSETTING BONDING AGENT

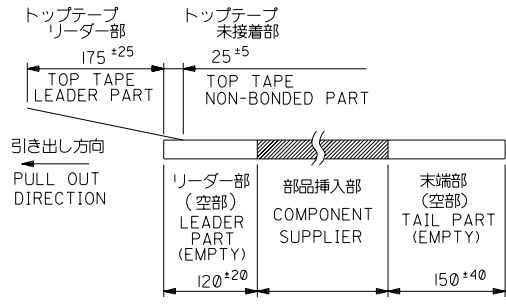
REVISED EC NO: J2011-0806 DRAWN: YOSHIHINO 2010/05/12 CHKD: SHIROYAMA 2010/06/10 APPR: MORIKAWA 2010/12/17 DESCRIPTION	GENERAL TOLERANCES (UNLESS SPECIFIED)		DIMENSION STYLE MM ONLY	SCALE ---	DESIGN UNITS METRIC	THIRD ANGLE PROJECTION
	10 UNDER	±0.2	DRAWN BY YSAKIYAM	DATE '04/01/08	TITLE 0.5 FPC CONN. ZIF FOR SMT R/A (BOTTOM CONTACT) TIN-BISMUTH PLATING	
	10 OVER 30 UNDER	±0.25	CHECKED BY MSASAO	DATE '04/01/08	MOLEX INCORPORATED	
	30 OVER	±0.3	APPROVED BY MSASAO	DATE '04/01/08	DOCUMENT NO. SD-52437-017	SHEET NO. 2 OF 2
	ANGULAR ±3 °	DRAFT WHERE APPLICABLE MUST REMAIN WITHIN DIMENSIONS	MATERIAL NO. SEE TABLE	THIS DRAWING CONTAINS INFORMATION THAT IS PROPRIETARY TO MOLEX INCORPORATED AND SHOULD NOT BE USED WITHOUT WRITTEN PERMISSION		

8 7 6 5 4 3 2 1

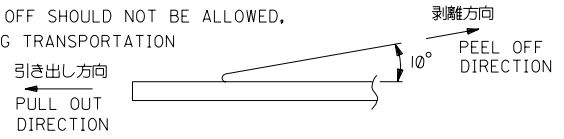


注記 NOTES

- 製品番号 52437-**-26 の梱包状態はアクチュエータがロックした状態とする。
詳細寸法については図面 SD-52437-017 を参照下さい。
IN THE PACKAGE,ACTUATOR OF PART NO.52437-**-26 SHOULD BE LOCKED RE DETAILED DIMENSIONS,SEE SD-52437-017.
- 梱包数量：1000個/リール
NUMBER OF CONNECTORS:1000PCS/REEL
- リードテープ長さ LEAD TAPE LENGTH



- トップテープの剥離強度：(剥離方向は下図参照)
0.1N~1.3N (10gf~130gf) 尚、本規格値は、出荷時に適用。
(但し、輸送時に剥離が発生しない事。)
PEELING OFF FORCE OF TOP TAPE
0.1N ~1.3N(10gf ~130gf)(PEELING DIRECTION AS SHOWN IN FOLLOWING FIG.)
THIS REQUIREMENT SHOULD BE APPLIED AT SHIPMENT
PEEL OFF SHOULD NOT BE ALLOWED,
DURING TRANSPORTATION

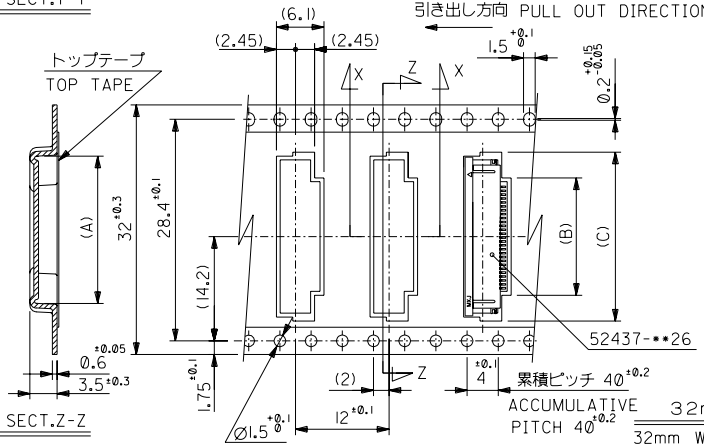
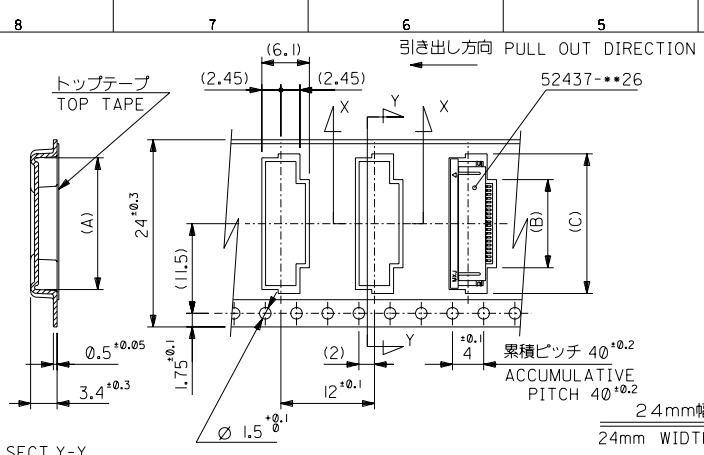


- 材料 (MATERIAL)
キャリアテープ (CARRIER TAPE) :ポリプロピレン (POLYPROPYLENE)
トップテープ (TOPTAPE) : PET, PE, PEF
リール (REEL): ポリスチレン (PS) <リサイクル材を含む>
POLYSTYREN (PS) <RECYCLE MATERIAL CONTAINED>
- 本製品は 52437-**-91 の鉛フリー品である。
THIS PRODUCT IS LEAD FREE OF 52437-**-91.

DO NOT SCALE DRAWING

EC NO. DRWN: CH/K: APPR:		EC NO. DRWN: CH/K: APPR:		EC NO. DRWN: CH/K: APPR:		REVISED '04/02/09 EC NO. J2004-2350 DRWN: N.AIDA CHK: K.TOJO APPR: M.SASAO		RELEASED '04/01/08 EC NO. J2004-1850 DRWN: Y.SAKIYAMA CHK: M.SASAO APPR: M.SASAO		MATERIAL 材料 注記参照 SEE NOTES		GENERAL TOLERANCES: (UNLESS SPECIFIED) 一般公差		SCALE 1/1		DESIGN UNITS <input checked="" type="checkbox"/> mm <input type="checkbox"/> INCH		THIRD ANGLE PROJECTION <input type="checkbox"/> mm <input type="checkbox"/> INCH <input checked="" type="checkbox"/> mm ONLY		SHT REV REVISE ON CAD ONLY	
				A		0		DESCRIPTION		FINISH 仕上げ //		10 UNDER 未満 10 OVER 以上 30 UNDER 未満 30 OVER 以上		DRAWN BY & DATE Y.SAKIYAMA '04/01/08		CHECKED BY & DATE M.SASAO '04/01/08		APPROVED BY & DATE M.SASAO '04/01/08		TITLE: 0.5 FPC Conn Assy ZIF SMT RA With Tape Embstp Pkg -LEAD FREE-	
								WIRE RANGE 適用電線範囲 //		INS. RANGE 被覆外径 //		ANGLE 角度 ±3°		CAD FILENAME SD-52437-018.S01		MATERIAL NO. 52437-**-72		DRAWING NO. SD-52437-018		SHEET NO. 1 OF 3 SIZE B	

DWG. NO. SD-52437-018

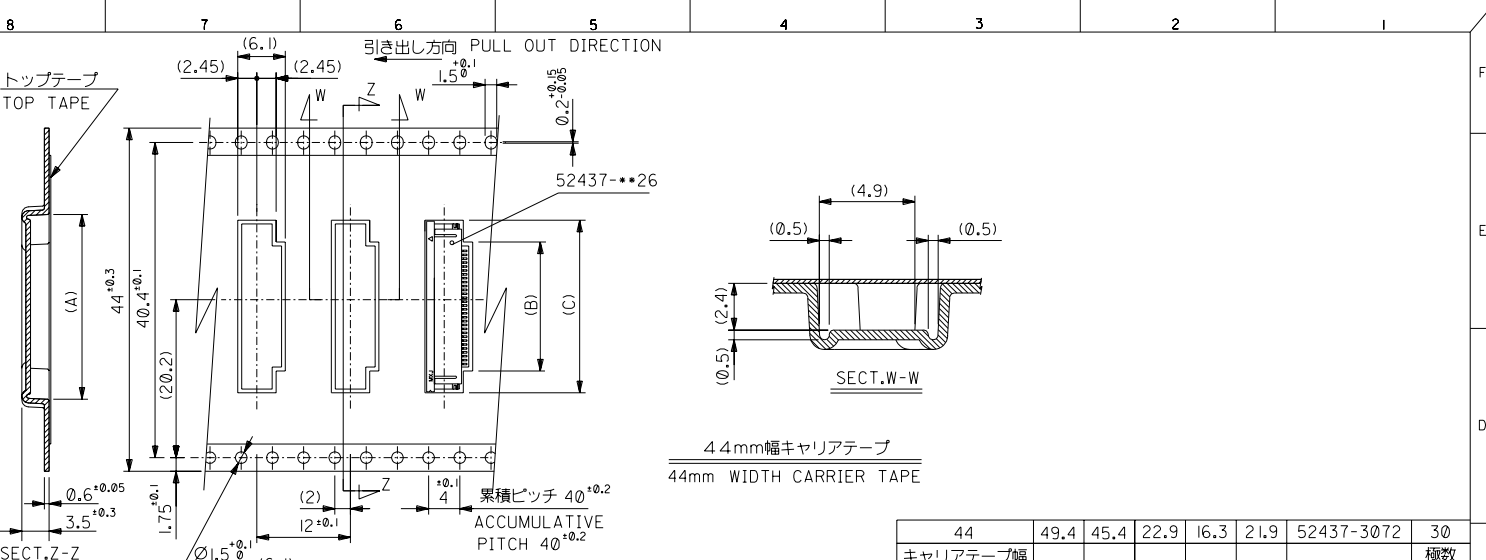


CARRIER TAPE WIDTH	E	D	(C)	(B)	(A)	MATERIAL NO.	極致
32	37.4	33.4	22.4	15.8	21.4	52437-2972	29
			21.9	15.3	20.9	-2872	28
			21.4	14.8	20.4	-2772	27
			20.9	14.3	19.9	-2672	26
			20.4	13.8	19.4	-2572	25
			19.9	13.3	18.9	-2472	24
			19.4	12.8	18.4	-2372	23
			18.9	12.3	17.9	-2272	22
			17.9	11.3	16.9	-2072	20
			17.4	10.8	16.4	-1972	19
			16.9	10.3	15.9	-1872	18
			16.4	9.8	15.4	-1772	17
			15.9	9.3	14.9	-1672	16
			15.4	8.8	14.4	-1572	15
			14.9	8.3	13.9	-1472	14
24	29.4	25.4	14.4	7.8	13.4	-1372	13
			13.9	7.3	12.9	-1272	12
			13.4	6.8	12.4	-1172	11
			12.9	6.3	11.9	-1072	10
			12.4	5.8	11.4	-0972	9
			11.9	5.3	10.9	-0872	8
			11.4	4.8	10.4	-0772	7
			10.9	4.3	9.9	52437-0672	6

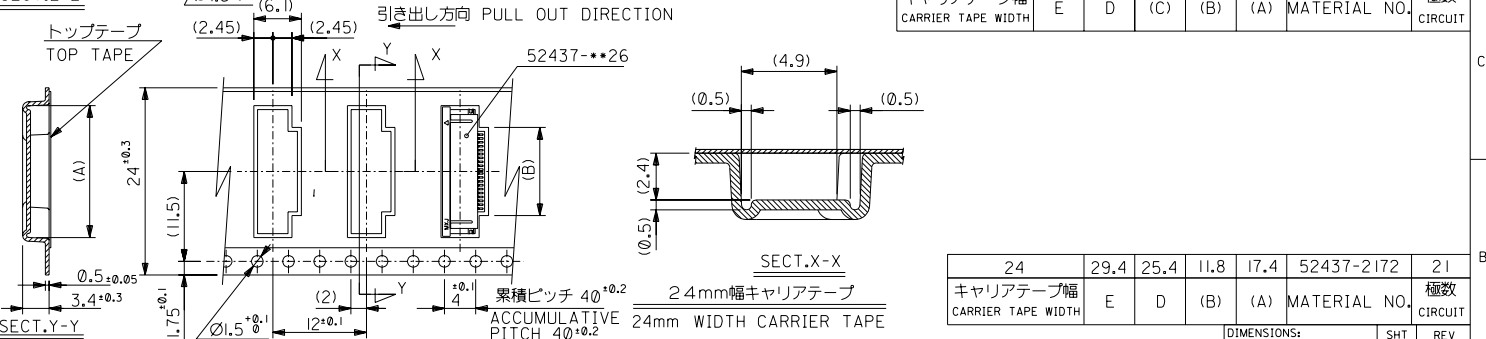
DO NOT SCALE DRAWING		EC NO. DRWN: CH/K: APPR:		EC NO. DRWN: CH/K: APPR:		EC NO. DRWN: CH/K: APPR:		REVISED '04/02/05 EC NO. J2004-2350 DRWN: N.AIDA CH/K: K.TOUJ APPR: M.SASAO		RELEASED '04/01/08 EC NO. J2004-1850 DRWN: Y.SAKIYAMA CH/K: M.SASAO APPR: M.SASAO		MATERIAL 材料 SHEET 1 OF 3 参照 REFER TO SHEET 1 OF 3		GENERAL TOLERANCES: (UNLESS SPECIFIED) 一般公差		SCALE 1/1		DESIGN UNITS mm INCH		THIRD ANGLE PROJECTION		DIMENSIONS: mm INCH mm ONLY		SHT REV					
												FINISH 仕上げ //		10 UNDER 未満		DRAWN BY & DATE Y.SAKIYAMA '04/01/08		CHECKED BY & DATE M.SASAO '04/01/08		APPROVED BY & DATE M.SASAO '04/01/08		TITLE: 0.5 FPC Conn Assy ZIF SMT RA With Tape Embstp Pkg -LEAD FREE-		MATERIAL NO. 52437-**72		DRAWING NO. SD-52437-018		SHEET NO. 2 OF 3	
												WIRE RANGE 適用電線範囲 //		10 OVER 以上		ANGLE 角度 3°		CAD FILENAME SD-52437-018.S02		MATERIAL NO. 52437-**72		DRAWING NO. SD-52437-018		SHEET NO. 2 OF 3		SIZE B			

EN-02J(097) MXJ-54

DWG. NO.
SD-52437-018



44	49.4	45.4	22.9	16.3	21.9	52437-3072	30
キャリアテープ幅 CARRIER TAPE WIDTH	E	D	(C)	(B)	(A)	MATERIAL NO.	極致 CIRCUIT



24	29.4	25.4	11.8	17.4	52437-2172	21
キャリアテープ幅 CARRIER TAPE WIDTH	E	D	(B)	(A)	MATERIAL NO.	極致 CIRCUIT

DO NOT SCALE DRAWING	EC NO. DRWN: CHK: APPR:	EC NO. DRWN: CHK: APPR:	EC NO. DRWN: CHK: APPR:	REVISED '04/02/08 EC NO. J2004-2350 DRWN: N.AIDA CHK: K.TOUJ APPR: M.SASAO	RELEASED '04/01/08 EC NO. J2004-1850 DRWN: Y.SAKIYAMA CHK: M.SASAO APPR: M.SASAO	MATERIAL 材料 SHEET 1 OF 3 参照 REFER TO SHEET 1 OF 3	GENERAL TOLERANCES: (UNLESS SPECIFIED) — 公差	SCALE — / —	DESIGN UNITS <input checked="" type="checkbox"/> mm <input type="checkbox"/> INCH	<input checked="" type="checkbox"/> THIRD ANGLE <input type="checkbox"/> FIRST ANGLE PROJECTION	DIMENSIONS: <input type="checkbox"/> mm <input type="checkbox"/> INCH <input checked="" type="checkbox"/> mm ONLY	SHT REVISE ON CAD ONLY	REV
	FINISH 仕上げ — / —	WIRE RANGE 適用線径範囲 — / —	INS. RANGE 被覆外径 — / —	DESCRIPTION	ANGLE 角度 ±3°	DRAWN BY & DATE Y.SAKIYAMA '04/01/08	CHECKED BY & DATE M.SASAO '04/01/08	APPROVED BY & DATE M.SASAO '04/01/08	CAD FILENAME SD-52437-018.S03	TITLE: 0.5 FPC Conn Assy ZIF SMT RA With Tape Embstp Pkg -LEAD FREE-	MATERIAL NO. 52437-***72	DRAWING NO. SD-52437-018	SHEET NO. 3 OF 3
8	7	6	5	4	3	2	EN-02J(097) MXJ-54						