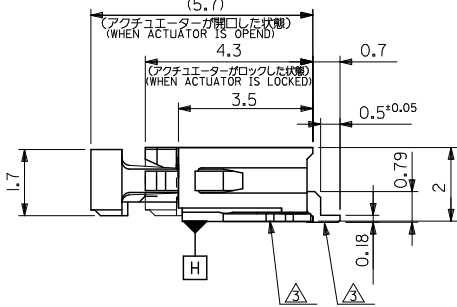
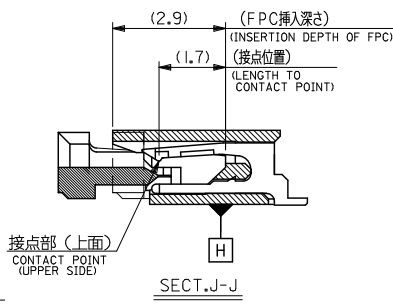
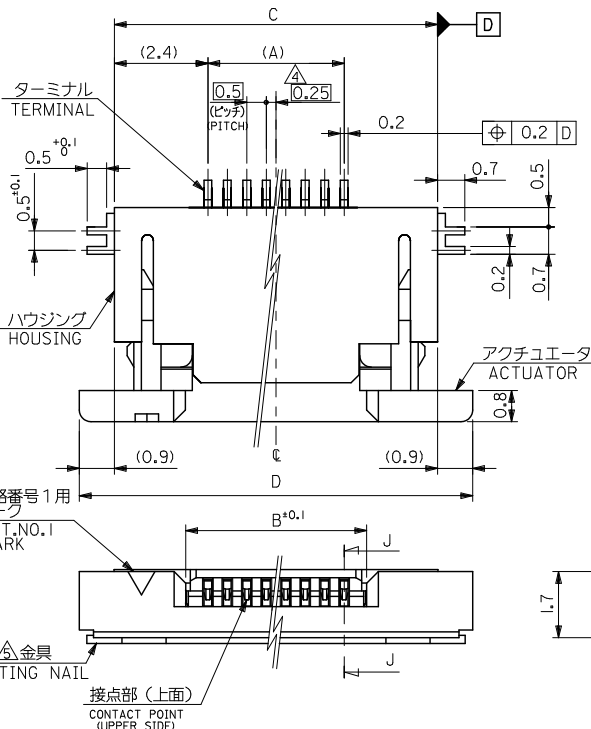


10 9 8 7 6 5 4 3 2 1



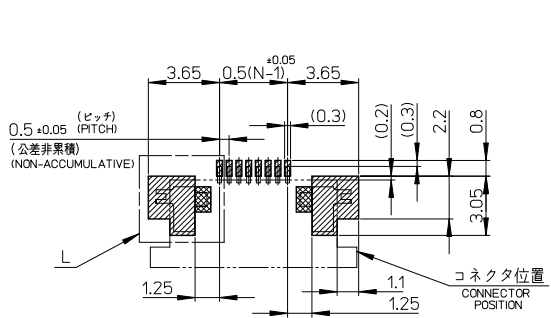
注記 NOTES

1. 使用材料 MATERIAL
 - ハウジング HOUSING : ポリアミド46, ガラス充填, UL94V-0 (白) POLYAMIDE46, GLASS FILLED, UL94V-0(WHITE)
 - アクチュエータ ACTUATOR : ポリフェニレンサルファイド ガラス充填, UL94V-0 (黒) POLYPHENYLENE SULFIDE ,GLASS FILLED, UL94V-0(BLACK)
 - ターミナル TERMINAL : リン青銅, ニッケル下地鍍ビスマスメッキ (t=0.2) PHOSPOR BRONZE ,TIN-BISMUTH OVER NICKEL PLATING
 - 金具 FITTING NAIL : リン青銅, ニッケル下地鍍メッキ (t=0.2) PHOSPOR BRONZE ,TIN OVER NICKEL PLATING
2. エンボステープ梱包時は、アクチュエータがロックした状態とする。
IN THE PACKAGE,ACTUATOR OF PART NO. 52745-**19 SHOULD BE LOCKED.
- △ ソルダータール半田付け面のスレ量、及び金具半田付け面のスレ量は、基準面 H に対し上方向 0.1 MAX., 下方向 0.15MAX. とする。
MISALIGNMENT OF SOLDER TAILS AND FITTING NAILS FROM H UPPER DIRECTION: 0.1MAX. , LOWER DIRECTION: 0.15MAX.
- △ 偶数極に適用。
APPLY FOR EVEN CIRCUIT.
- △ パターンはくり止め用金具
FITTING NAIL FOR PREVENTION OF PEELING OF P.C.B. PATTERN.
6. 本製品は 52745-**17 の鉛フリー品である。
THIS PRODUCT IS LEAD FREE OF 52745-**17
- △ RO. 3は、FPCの導体部にかからないこと。
RO.3 MUST NOT BE OVERLAPPED TO PATTERN OF FPC.

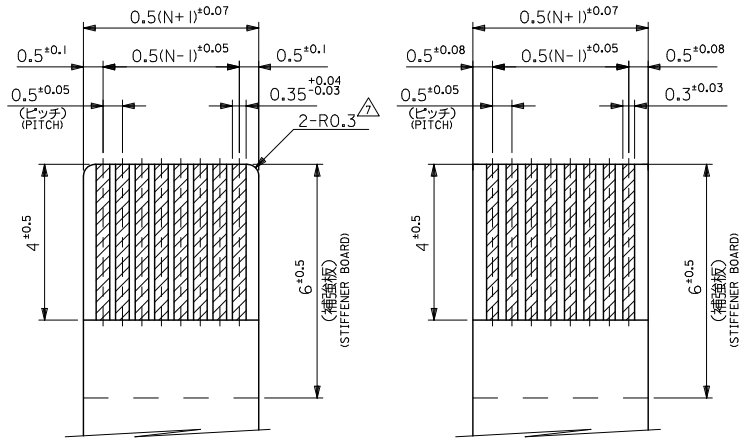
16.1	14.3	10.65	9.5	52745-2096	52745-2019	20
15.6	13.8	10.15	9.0	-1996	-1919	19
15.1	13.3	9.65	8.5	-1896	-1819	18
14.6	12.8	9.15	8.0	-1796	-1719	17
14.1	12.3	8.65	7.5	-1696	-1619	16
13.6	11.8	8.15	7.0	-1596	-1519	15
13.1	11.3	7.65	6.5	-1496	-1419	14
12.6	10.8	7.15	6.0	-1396	-1319	13
12.1	10.3	6.65	5.5	-1296	-1219	12
11.6	9.8	6.15	5.0	-1196	-1119	11
11.1	9.3	5.65	4.5	-1096	-1019	10
10.6	8.8	5.15	4.0	-0996	-0919	9
10.1	8.3	4.65	3.5	-0896	-0819	8
9.6	7.8	4.15	3.0	-0796	-0719	7
9.1	7.3	3.65	2.5	-0696	-0619	6
8.1	6.3	2.65	1.5	52745-0496	52745-0419	4
D	C	B	(A)	EMBOSSED TAPE	MATERIAL NO.	極数 CIRCUIT
				ORDER No. 9-ター-88	52745-**19	MODEL NO.

REVISED EC NO: J2011-0806 DRAWN: JEB ISAWA 2010/12/13 CHKD: TAKAHASHI 2010/12/14 APPR: KMORI IKAWA 2010/12/17	GENERAL TOLERANCES (UNLESS SPECIFIED)		DIMENSION STYLE MM ONLY		SCALE ---	DESIGN UNITS METRIC	THIRD ANGLE PROJECTION
	10 UNDER	±0.2	DRAWN BY T. UENO	DATE '04/01/28	TITLE 0.5 FPC CONN ASSY ZIF UPR CONT -LEAD FREE-		
	10 OVER 30 UNDER	±0.25	CHECKED BY M. SASAO	DATE '04/01/28			
	30 OVER	±0.3	APPROVED BY M. SASAO	DATE '04/01/28	MOLEX INCORPORATED DOCUMENT NO. SD-52745-048		
ANGULAR	±3 °	MATERIAL NO. SEE TABLE		SHEET NO. 1 OF 2			
DRAFT WHERE APPLICABLE MUST REMAIN WITHIN DIMENSIONS			SIZE A3		THIS DRAWING CONTAINS INFORMATION THAT IS PROPRIETARY TO MOLEX INCORPORATED AND SHOULD NOT BE USED WITHOUT WRITTEN PERMISSION		

10 9 8 7 6 5 4 3 2 1



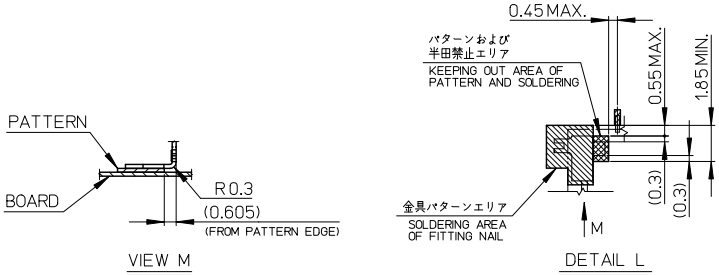
参考基板レイアウト
(マウント面)
RECOMMENDED P.C.BOARD
PATTERN DIMENSION (REF.)
(MOUNTING SIDE)



適合FPC推奨寸法
APPLICABLE FPC
RECOMMENDED DIMENSION
(仕上がり厚さ: 0.3±0.03)
(THICKNESS: 0.3±0.03)

適合FFC推奨寸法
APPLICABLE FFC
RECOMMENDED DIMENSION
(仕上がり厚さ: 0.3±0.03)
(THICKNESS: 0.3±0.03)

FPCについて:
打抜き方向は導体側から補強板側を推奨致します。
補強フィルム材質はポリイミドを推奨致します。
接着剤は熱硬化接着剤を推奨致します。
ABOUT FPC:
RECOMMENDED PUNCHER DIRECTION: FROM CONDUCTOR SIDE TO STIFFENER BOARD SIDE.
RECOMMENDED MATERIAL:
STIFFENER FILM: POLYIMIDE
BONDING AGENT: THERMOSETTING BONDING AGENT



VIEW M
(DETAIL OF FITTING NAIL
ON PATTERN)

DETAIL L

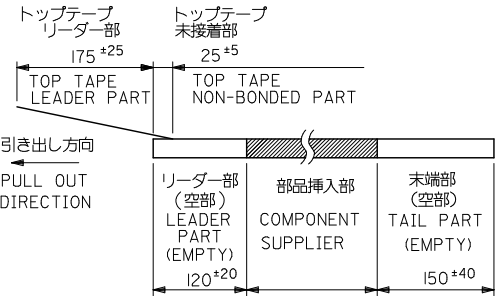
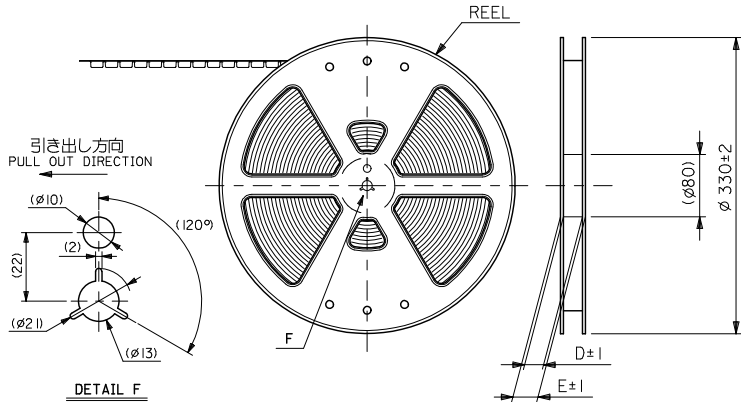
52745-**19 MODEL NO.

REVISED EC NO: J2011-0806 DRAWN: JEB ISAWA 2010/12/13 CHKD: KAKAHASHI 2010/12/14 APPR: KMORI KAWA 2010/12/17	GENERAL TOLERANCES (UNLESS SPECIFIED)		DIMENSION STYLE MM ONLY	SCALE ---	DESIGN UNITS METRIC	THIRD ANGLE PROJECTION
	10 UNDER	±0.2	DRAWN BY T. UENO	DATE '04/01/28	TITLE 0.5 FPC CONN ASSY ZIF UPR CONT -LEAD FREE-	
	10 OVER 30 UNDER	±0.25	CHECKED BY M. SASAO	DATE '04/01/28	MOLEX INCORPORATED	
	30 OVER	±0.3	APPROVED BY M. SASAO	DATE '04/01/28	MATERIAL NO. SEE SHEET 1	DOCUMENT NO. SD-52745-048
REV	DESCRIPTION	ANGULAR ±3°	DRAFT WHERE APPLICABLE MUST REMAIN WITH DIMENSIONS		SIZE A3 THIS DRAWING CONTAINS INFORMATION THAT IS PROPRIETARY TO MOLEX INCORPORATED AND SHOULD NOT BE USED WITHOUT WRITTEN PERMISSION	

10 9 8 7 6 5 4 3 2 1

注記 NOTES

- 製品番号 52745-***19 の梱包状態はアクチュエータがロックした状態とする。
詳細寸法については図面 SD-52745-048 を参照下さい。
IN THE PACKAGE,ACTUATOR OF PART NO.52745-***19 SHOULD BE LOCKED
RE DETAILED DIMENSIONS,SEE SD-52745-048.
- 梱包数量：1000個/リール
NUMBER OF CONNECTORS:1000PCS/REEL
- リードテープ長さ LEAD TAPE LENGTH

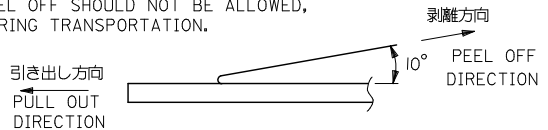


5. 材料
 キャリアテープ:ポリプロピレン (PP)
 トップテープ:PET, PE, PEF
 リール:ポリスチレン (PS) <リサイクル材を含む>
 MATERIAL CARRIER TAPE:POLYPROPYLENE
 TOP TAPE:PET,PE,PEF
 REEL:POLYSTYRENE(PS)
 <RECYCLE MATERIAL CONTAINED>

6. 本製品は 52745-***90 の鉛フリー品である。
 THIS PRODUCT IS LEAD FREE OF 52745-***90

7. 本製品は乾燥剤入り、ハイバリア梱包仕様である。
 THIS PRODUCT IS HIGH BARRIER PACKAGE WITH DESICCANT.

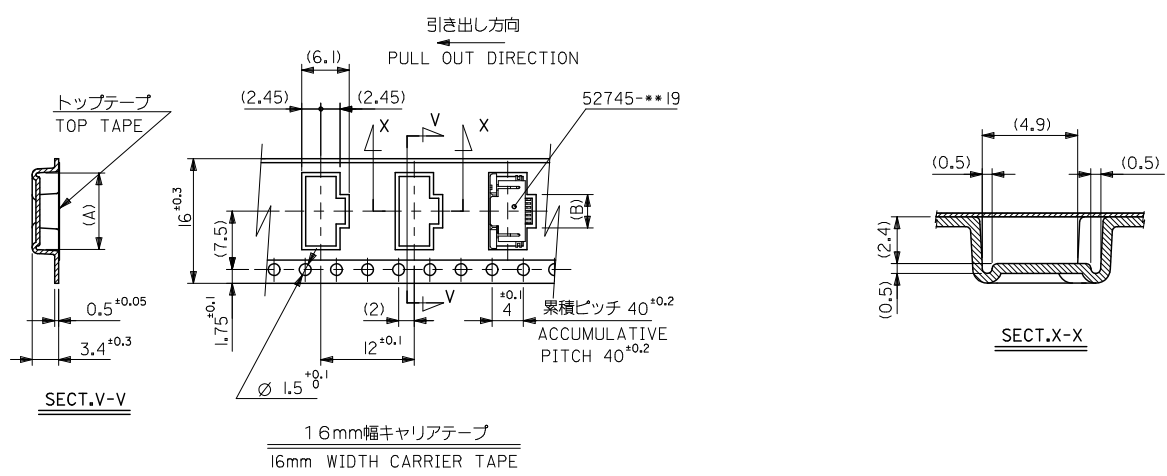
- トップテープの剥離強度：(剥離方向は下図参照)
 0.1N~1.3N (10gf~130gf) 尚、本規格値は、出荷時に適用。
 (但し、輸送時に剥離が発生しない事。)
 PEELING OFF FORCE OF TOP TAPE:
 0.1N~1.3N(10gf~130gf)(PEELING DIRECTION AS SHOWN IN FOLLOWING FIG.)
 THIS REQUIREMENT SHOULD BE APPLIED AT SHIPMENT
 PEEL OFF SHOULD NOT BE ALLOWED,
 DURING TRANSPORTATION.



52745-***96 MODEL NO.

REVISED EC NO: J2009-2061 DRAWN BY DRYUNIKON 2009/05/20 CHKD:HATSUMOTO 2009/05/21 APPR:HIKITA 2009/05/21	GENERAL TOLERANCES (UNLESS SPECIFIED)		DIMENSION STYLE MM ONLY		SCALE ---	DESIGN UNITS METRIC	THIRD ANGLE PROJECTION
	10 UNDER	±0.2	DRAWN BY T.UENO	DATE 2004/01/08	TITLE 0.5 FPC CONN UPR CONT EMBSTP PKG -LEAD FREE-		
	10 OVER 30 UNDER	±0.25	CHECKED BY M.SASAO	DATE 2004/01/08	MOLEX INCORPORATED		
	30 OVER	±0.3	APPROVED BY M.SASAO	DATE 2004/01/08	MATERIAL NO. SEE SHEET 2,3	DOCUMENT NO. SD-52745-049	SHEET NO. 1 OF 3
REV	ANGULAR ±3°		SIZE A3		THIS DRAWING CONTAINS INFORMATION THAT IS PROPRIETARY TO MOLEX INCORPORATED AND SHOULD NOT BE USED WITHOUT WRITTEN PERMISSION		
DRAFT WHERE APPLICABLE MUST REMAIN WITHIN DIMENSIONS							

10 9 8 7 6 5 4 3 2 1



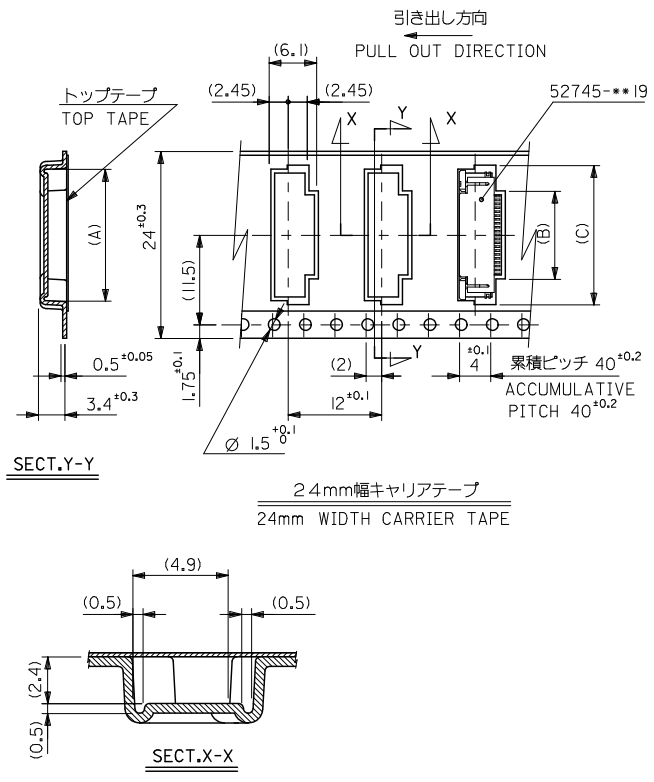
16	21.4	17.4	17.5	2.8	8.4	52745-0496	4
キャリアテープ幅 CARRIER TAPE WIDTH	E	D	(C)	(B)	(A)	MATERIAL NO.	極数 CIRCUIT

REVISED EC NO: J2009-2061 DRAWN BY: DRWNTKON CHKD: HATSUMOTO APPR: NIKITA	DESCRIPTION 2009/05/20 2009/05/21 2009/05/21	GENERAL TOLERANCES (UNLESS SPECIFIED)		DIMENSION STYLE MM ONLY		SCALE ---	DESIGN UNITS METRIC	THIRD ANGLE PROJECTION	
		10 UNDER	±0.2	DRAWN BY T. UENO	DATE 2004/01/08	TITLE 0.5 FPC CONN UPR CONT EMBSTP PKG -LEAD FREE-			
		10 OVER 30 UNDER	±0.25	CHECKED BY M. SASAO	DATE 2004/01/08	MOLEX INCORPORATED DOCUMENT NO. SD-52745-049 SHEET NO. 2 OF 3			
		30 OVER	±0.3	APPROVED BY M. SASAO	DATE 2004/01/08				
ANGULAR ±3°		DRAFT WHERE APPLICABLE MUST REMAIN WITHIN DIMENSIONS		MATERIAL NO. SEE TABLE		SIZE A3 THIS DRAWING CONTAINS INFORMATION THAT IS PROPRIETARY TO MOLEX INCORPORATED AND SHOULD NOT BE USED WITHOUT WRITTEN PERMISSION			

ib_frame_A3_J_ME_S
Rev. E 2006/04/15

9 8 7 6 5 4 3 2 1 EN-02JA(021)

10 9 8 7 6 5 4 3 2 1



24	29.4	25.4	17.4	10.8	16.4	52745-2096	20
			16.9	10.3	15.9	-1996	19
			16.4	9.8	15.4	-1896	18
			15.9	9.3	14.9	-1796	17
			15.4	8.8	14.4	-1696	16
			14.9	8.3	13.9	-1596	15
			14.4	7.8	13.4	-1496	14
			13.9	7.3	12.9	-1396	13
			13.4	6.8	12.4	-1296	12
			12.9	6.3	11.9	-1196	11
			12.4	5.8	11.4	-1096	10
			11.9	5.3	10.9	-0996	9
			11.4	4.8	10.4	-0896	8
10.9	4.3	9.9	-0796	7			
10.4	3.8	9.4	52745-0696	6			
キャリアテープ幅 CARRIER TAPE WIDTH	E	D	(C)	(B)	(A)	MATERIAL NO.	極数 CIRCUIT

52745-***96 MODEL NO.

REVISED IEC NO: J2009-2061 DRAWN BY: DRWNTKON 2009/05/20 CHECKED BY: CHYKHMATSUMOTO 2009/05/21 APPROVED BY: APPRNIKIITA 2009/05/21	GENERAL TOLERANCES (UNLESS SPECIFIED)		DIMENSION STYLE MM ONLY		SCALE ---	DESIGN UNITS METRIC	THIRD ANGLE PROJECTION
	10 UNDER	±0.2	DRAWN BY T. UENO	DATE 2004/01/08	TITLE 0.5 FPC CONN UPR CONT EMBSTP PKG -LEAD FREE-		
	10 OVER 30 UNDER	±0.25	CHECKED BY M. SASAO	DATE 2004/01/08	MOLEX INCORPORATED		
	30 OVER	±0.3	APPROVED BY M. SASAO	DATE 2004/01/08	DOCUMENT NO. SD-52745-049	SHEET NO. 3 OF 3	
	ANGULAR	±3°	MATERIAL NO. SEE TABLE		THIS DRAWING CONTAINS INFORMATION THAT IS PROPRIETARY TO MOLEX INCORPORATED AND SHOULD NOT BE USED WITHOUT WRITTEN PERMISSION		
DRAFT WHERE APPLICABLE MUST REMAIN WITHIN DIMENSIONS							