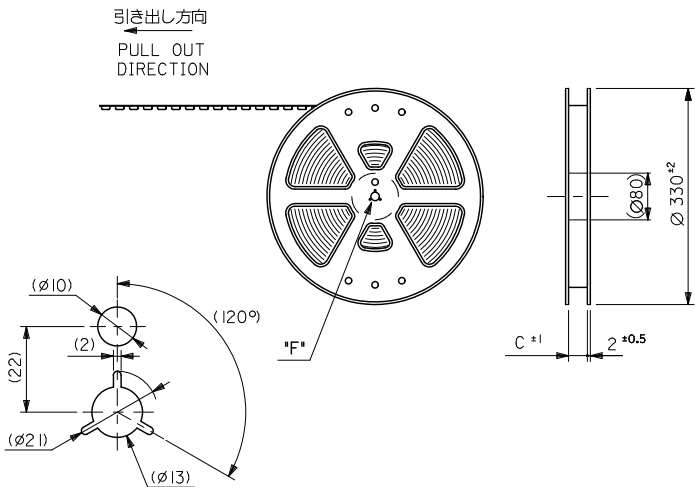


10 9 8 7 6 5 4 3 2 1

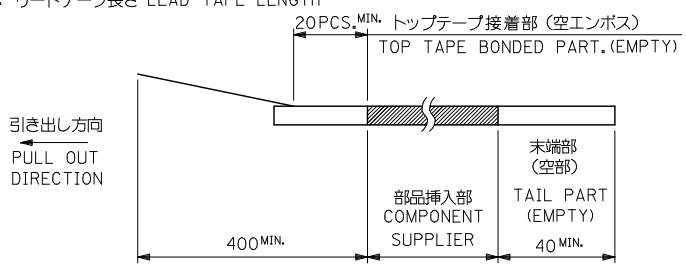
**注記 NOTES**

- 製品番号 52559-\*\*\*17 の梱包状態はアクチュエータがロックした状態とする。  
 詳細寸法については図面 SD-52559-\*\*\*17 を参照下さい。  
 IN THE PACKAGE,ACTUATOR OF PART NO.52559-\*\*\*17 SHOULD BE LOCKED RE DETAILED DIMENSIONS,SEE SD-52559-\*\*\*17
- 梱包数量：1000個/リール  
 NUMBER OF CONNECTORS:1000PCS/REEL
- リードテープ長さ LEAD TAPE LENGTH



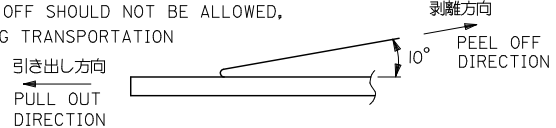
**DETAIL \*F\***

5. 材料  
 キャリアテープ:ポリプロピレン (PP)  
 トップテープ:PET, PE, PEF  
 リール:ポリスチレン (PS) <リサイクル材を含む>  
 MATERIAL CARRIER TAPE:POLYPROPYLENE  
 TOP TAPE:PET,PE,PEF  
 REEL:POLYSTYREN(PS)  
 <RECYCLE MATERIAL CONTAINED>



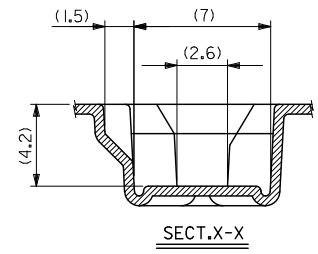
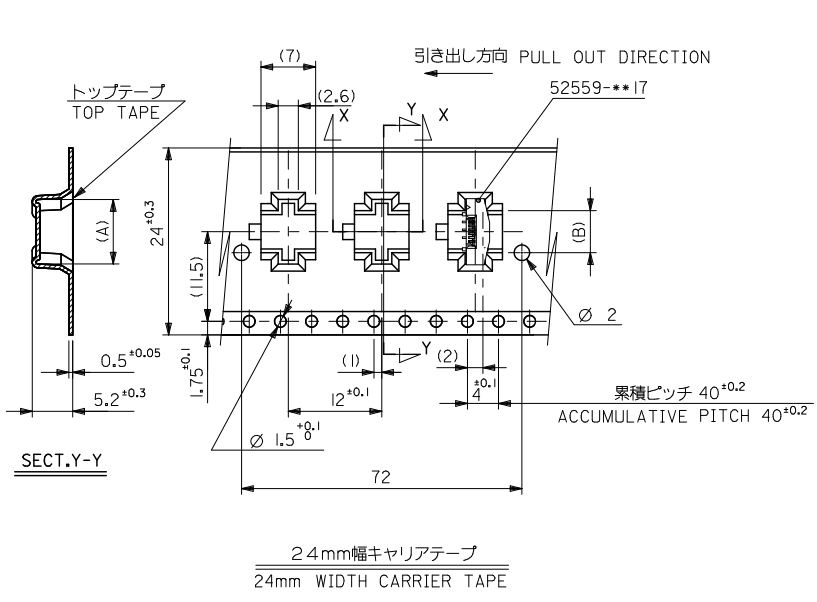
- トップテープの剥離強度：(剥離方向は下図参照)  
 0.1N~0.7N (10.2gf~71.4gf)尚、本規格値は、出荷時に適用。  
 (但し、輸送時に剥離が発生しない事。)

PEELING OFF FORCE OF TOP TAPE  
 0.1N~0.7N(10.2gf~71.4gf)(PEELING DIRECTION AS SHOWN IN FOLLOWING FIG.)  
 THIS REQUIREMENT SHOULD BE APPLIED AT SHIPMENT  
 PEEL OFF SHOULD NOT BE ALLOWED,  
 DURING TRANSPORTATION



REVISED EC NO: J2011-0691 K	2010/10/19	DRWN: JEB ISAWA	2010/10/19	CHKD: TAKAHASHI	2010/10/19	APPR: MORIKAWA	2010/12/16	DESCRIPTION	GENERAL TOLERANCES (UNLESS SPECIFIED)		DIMENSION STYLE MM ONLY		SCALE ---	DESIGN UNITS METRIC	THIRD ANGLE PROJECTION
	10 UNDER	±0.3	DRAWN BY M. SHIMIZU		DATE 2000/12/20		TITLE 0.5 FPC CONN ASSY ZIF SMT ST EMBSTP PKG								
	10 OVER 30 UNDER	±0.25	CHECKED BY S. KUNISHI		DATE 2000/12/20		MOLEX INCORPORATED								
	30 OVER	±0.2	APPROVED BY M. FUKUSHIMA		DATE 2000/12/20		DOCUMENT NO. SD-52559-054								
ANGULAR ±3°		DRAFT WHERE APPLICABLE MUST REMAIN WITHIN DIMENSIONS		MATERIAL NO. SEE NOTES		SHEET NO. 1 OF 4		SIZE A3 THIS DRAWING CONTAINS INFORMATION THAT IS PROPRIETARY TO MOLEX INCORPORATED AND SHOULD NOT BE USED WITHOUT WRITTEN PERMISSION							

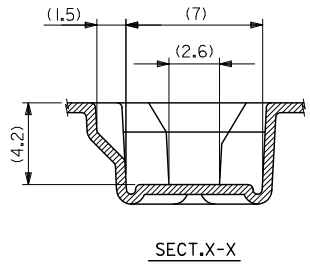
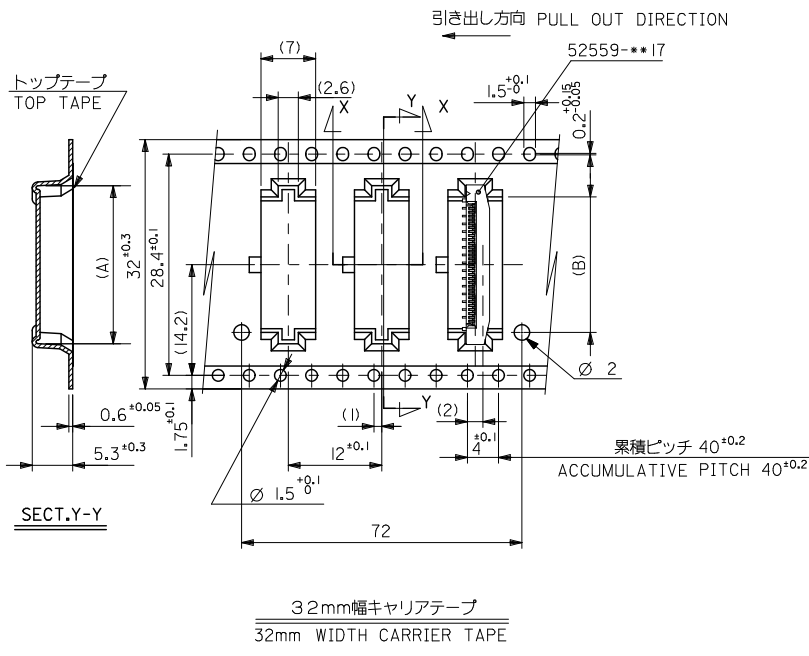
10 9 8 7 6 5 4 3 2 1



24	25.5	14.4	17.3	52559-2492	24
		12.4	15.3	52559-2092	20
		9.4	12.3	52559-1492	14
		8.4	11.3	52559-1292	12
		7.4	10.3	52559-1092	10
		5.4	8.3	52559-0692	6
キャリアテープ幅 CARRIER TAPE WIDTH	C	(B)	(A)	ENG. NO.	極細 CIRCUIT

REVISED E.C. NO: J2011-0691 DRWN: JEB ISAWA 2010/10/19 CHKD: TAKAHASHI 2010/10/19 APPR: MORIKAWA 2010/12/16 K	GENERAL TOLERANCES (UNLESS SPECIFIED)		DIMENSION STYLE	SCALE	DESIGN UNITS	THIRD ANGLE PROJECTION	
	10 UNDER	±0.3	MM ONLY	---	METRIC		
	10 OVER 30 UNDER	±0.25	DRAWN BY	M. SHIMIZU	DATE	2000/12/20	TITLE
	30 OVER	±0.2	CHECKED BY	S. KUNISHI	DATE	2000/12/20	0.5 FPC CONN ASSY ZIF SMT ST EMBSTP PKG
	ANGULAR	±3°	APPROVED BY	M. FUKUSHIMA	DATE	2000/12/20	MOLEX INCORPORATED
DRAFT WHERE APPLICABLE MUST REMAIN WITHIN DIMENSIONS			MATERIAL NO.	SEE SHEET	DOCUMENT NO.	SD-52559-054	SHEET NO. 2 OF 4
THIS DRAWING CONTAINS INFORMATION THAT IS PROPRIETARY TO MOLEX INCORPORATED AND SHOULD NOT BE USED WITHOUT WRITTEN PERMISSION							

10 9 8 7 6 5 4 3 2 1



32mm幅キャリアテープ  
32mm WIDTH CARRIER TAPE

32	33.5	17.4	20.3	52559-3092	30
キャリアテープ幅 CARRIER TAPE WIDTH	C	(B)	(A)	ENG. NO.	種別 CATEGORY

REVISED E.C. NO.: J2011-0691 DRAWN: JEB ISAWA 2010/10/19 CHYKDK TAKAHASHI 2010/10/19 APPR: KMORI KAWA 2010/12/16 K REV:	GENERAL TOLERANCES (UNLESS SPECIFIED)		DIMENSION STYLE MM ONLY		SCALE ---		DESIGN UNITS METRIC		THIRD ANGLE PROJECTION	
	10 UNDER	±0.3	DRAWN BY	M. SHIMIZU	DATE	2000/12/20	TITLE 0.5 FPC CONN ASSY ZIF SMT ST EMBSTP PKG			
	10 OVER	30 UNDER	CHECKED BY	S. KUNISHI	DATE	2000/12/20				
	30 OVER	±0.2	APPROVED BY	M. FUKUSHIMA	DATE	2000/12/20	MOLEX INCORPORATED		SHEET NO. 3 OF 4	
ANGULAR ±3° DRAFT WHERE APPLICABLE MUST REMAIN WITHIN DIMENSIONS		MATERIAL NO. SEE SHEET		DOCUMENT NO. SD-52559-054		THIS DRAWING CONTAINS INFORMATION THAT IS PROPRIETARY TO MOLEX INCORPORATED AND SHOULD NOT BE USED WITHOUT WRITTEN PERMISSION				

