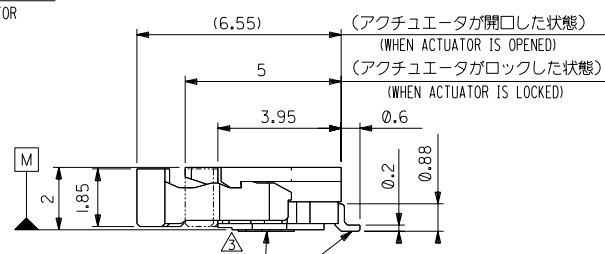
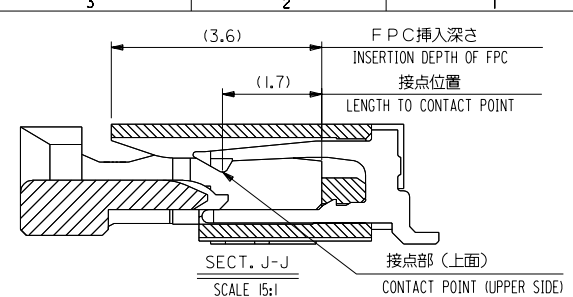
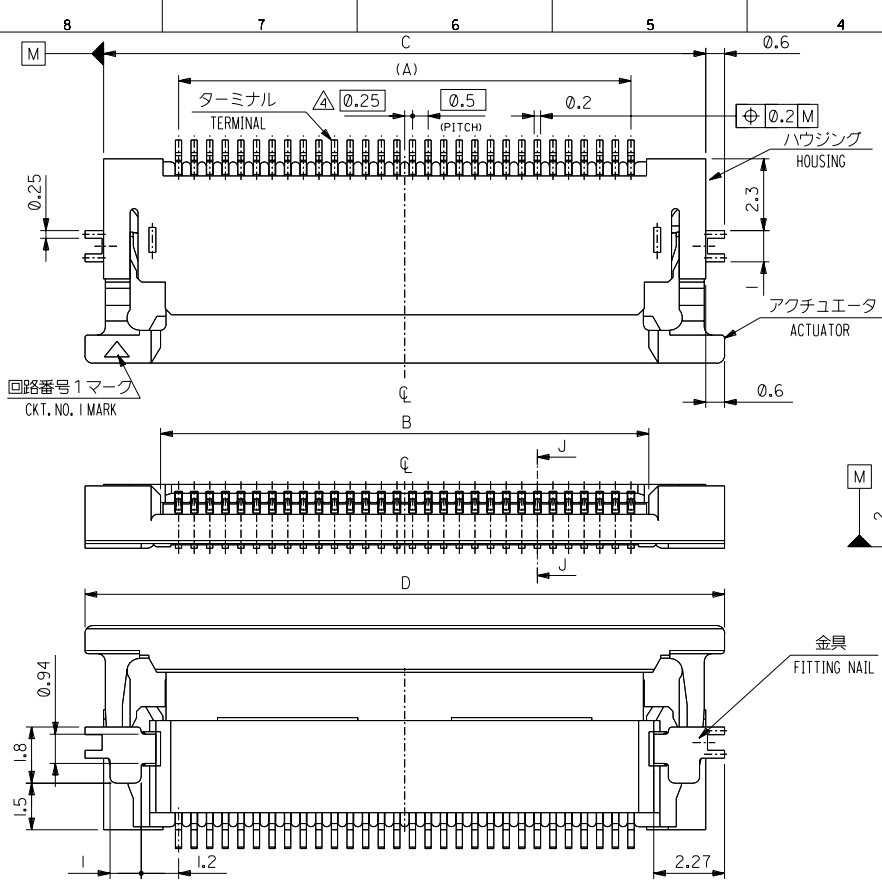


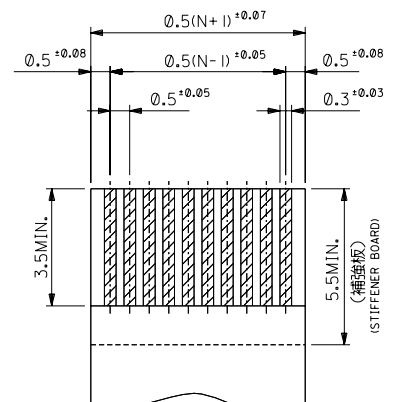
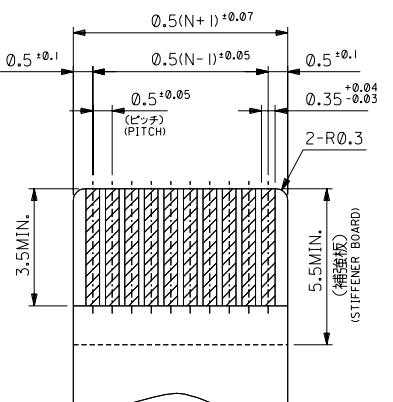
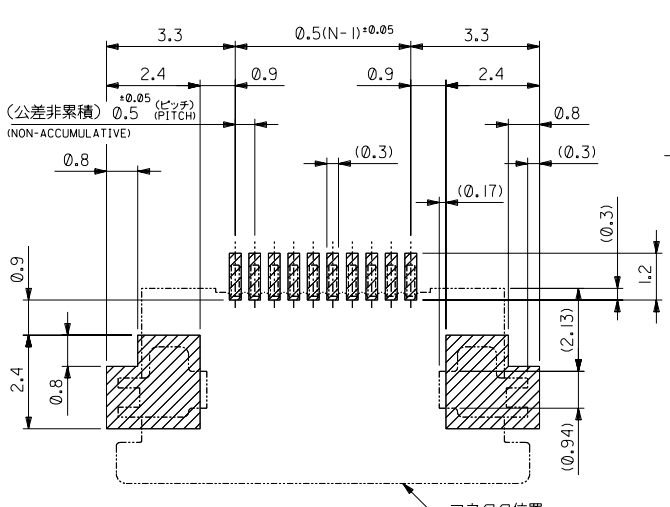
DWG. NO. SD-54104-023



30.5	29.3	25.65	24.5	54104 - 5037	50
28.5	27.3	23.65	22.5	54104 - 4637	46
28.0	26.8	23.15	22.0	54104 - 4537	45
27.0	25.8	22.15	21.0	54104 - 4337	43
25.5	24.3	20.65	19.5	54104 - 4037	40
24.5	23.3	19.65	18.5	54104 - 3837	38
23.5	22.3	18.65	17.5	54104 - 3637	36
23.0	21.8	18.15	17.0	54104 - 3537	35
22.5	21.3	17.65	16.5	54104 - 3437	34
22.0	20.8	17.15	16.0	54104 - 3337	33
21.5	20.3	16.65	15.5	54104 - 3237	32
20.5	19.3	15.65	14.5	54104 - 3037	30
D	C	B	A	MATERIAL NO.	CKT.

DO NOT SCALE DRAWING		REVISED '03/04/17 REVISED '02/10/15 REVISED '00/12/13		MATERIAL 材料 SHEET 2 OF 2 参照 SEE SHEET 2 OF 2		GENERAL TOLERANCES: (UNLESS SPECIFIED) 一般公差		SCALE		DESIGN UNITS mm INCH		DIMENSIONS: mm INCH		SHT REV	
E83NO. DRWN: CH'K: APPR:		E82NO. J2003-2624 DRWN: K.TOJO CH'K: M.SASAO APPR: M.SASAO		FINISH 仕上げ		10 UNDER 未満 +0.2		DRAWN BY & DATE N.YANO '00/12/13		PROJ ANGLE PROJECTION		TITLE: 0.5 FPC Conn Zif Hsg Assy for SMT RA Up'r Cont		REVISE ON CAD ONLY	
E81NO. J2003-0977 DRWN: K.TOJO CH'K: M.SASAO APPR: M.SASAO		E80NO. J2000-1-0415 DRWN: N.YANO CH'K: S.KUNISHI APPR: M.FUKUSHIMA		WIRE RANGE 適用電線範囲		10 OVER 以上 30 UNDER 未満 +0.25		CHECKED BY & DATE S.KUNISHI '00/12/13		MATERIAL NO. 54104-***37		DRAWING NO. SD-54104-023		SHEET NO. 1 OF 2	
E79NO. J2000-1-0415 DRWN: N.YANO CH'K: S.KUNISHI APPR: M.FUKUSHIMA		E78NO. J2000-1-0415 DRWN: N.YANO CH'K: S.KUNISHI APPR: M.FUKUSHIMA		INS. RANGE 被覆外径		30 OVER 以上 +0.3		APPROVED BY & DATE M.FUKUSHIMA '00/12/13		CAD FILENAME SD-54104-023.S01		SIZE B		EN-02J(097) MXJ-54	

DWG. NO. SD-54104-023



参考基板レイアウト
RECOMMENDED P.C.BOARD
PATTERN DIMENSION (REF.)
(マウント面)
(MOUNTING SIDE)

コネクタ位置
CONNECTOR POSITION

注記 NOTES

- 1. 使用材料 MATERIAL
- ハウジング : 46ナイロン、UL 94V-0
HOUSING : 46NYLON
- アクチュエータ : PPS、UL 94V-0
ACTUATOR : PPS
- ターミナル : リン青銅、銅下地半田メッキ (t=0.2)
TERMINAL : PHOS-BRO-TIN-LEAD(S)/0.3~0.5 MICRON METER OVER COPPER 1~2.5 MICRON METER PLATED
- 金具 : リン青銅、銅下地半田メッキ (t=0.2)
FITTING NAIL : PHOS-BRO-TIN-LEAD(S)/0.3~0.5 MICRON METER OVER COPPER 1~2.5 MICRON METER PLATED

- 2. インボーステープ梱包時は、アクチュエータがロックした状態とする。
IN THE PACKAGE, ACTUATOR OF PART NO.54104-***37 SHOULD BE LOCKED.
- △ソルダーテール半田付け面のズレ量、及び金具半田付け面のズレ量は、基準面 H)に對し上方向 0.1 MAX.、下方向 0.15 MAX. とし、相対的バラツキ量は、0.1 MAX. とする。
MISALIGNMENT OF SOLDER TAILS AND FITTING NAILS FROM UPPER DIRECTION: 0.1 MAX. . LOWER DIRECTION: 0.15 MAX. OFFSET BETWEEN UPPER AND LOWER 0.1 MAX.
- △偶数極に適用。
APPLY FOR EVEN CIRCUIT.
- △ノターンはくり止め用金具
FITTING NAIL FOR PREVENTION OF PEELING OF P.C.B. PATTERN.

FPC/FFCについて

打抜き方向は導体側から補強板側を推奨いたします。
導体部については軟銅箔35マイクロメートルまたは50マイクロメートルメッキ厚 3~9マイクロメートル錫または半田メッキ (電気メッキ)
RECOMMENDED PUNCHER DIRECTION: FROM CONDUCTOR SIDE TO STIFFENER BOARD SIDE.
RECOMMENDED CONDUCTOR SPEC.: THICKNESS OF SOFT COPPER FOIL: 35 micrometer or 50 micrometer TIN OR SOLDER PLATING: 3~9 micrometer (ELECTRICAL PLATING)

DO NOT SCALE DRAWING	REV. REVISED	03/04/17	03/04/17											SHT	REV
	DRWN: CHFK: APFR:	03/03-2624	03/03-2624											REVISE ON	
		02/10/15	02/10/15											CAD ONLY	
		00/12/13	00/12/13												
8	7	6	5	4	3	2	TITLE: 0.5 FPC Conn Zif Hsg Assy for SMT RA Up Cont				MOLEX INCORPORATED	SHEET NO. 2 OF 2	SIZE B		
MATERIAL 注記参照 SEE NOTES				GENERAL TOLERANCES: (UNLESS SPECIFIED):		SCALE DESIGN UNITS		DIMENSIONS:		DRAWING NO. SD-54104-023			EN-02J(097) MXJ-54		
FINISH 仕上げ				10 UNDER 未滿	+0.2	DRAWN BY & DATE N.YANO '00/12/13		<input type="checkbox"/> mm <input type="checkbox"/> INCH <input checked="" type="checkbox"/> mm ONLY		MATERIAL NO. 54104-***37		SHEET NO. 2 OF 2			
WIRE RANGE 適用電線範囲				10 OVER 30 未滿	+0.25	CHECKED BY & DATE S.KUNISHI '00/12/13		PROJECTION 1st ANGLE		DRAWING NO. SD-54104-023		SHEET NO. 2 OF 2			
INS. RANGE 被覆外径				30 OVER 以上	+0.3	APPROVED BY & DATE M.FUKUSHIMA '00/12/13		MOLEX INCORPORATED		DRAWING NO. SD-54104-023		SHEET NO. 2 OF 2			
				ANGLE 角度	+3°	CAD FILENAME SD-54104-023.S02		DRAWING NO. 54104-***37		DRAWING NO. SD-54104-023		SHEET NO. 2 OF 2			
DRAWING CONTAINS INFORMATION THAT IS PROPRIETARY TO MOLEX INCORPORATED AND SHOULD NOT BE USED WITHOUT WRITTEN PERMISSION.															

DWG. NO. SD-54104-024

8 7 6 5 4 3 2 1

F

D

C

B

F

E

D

C

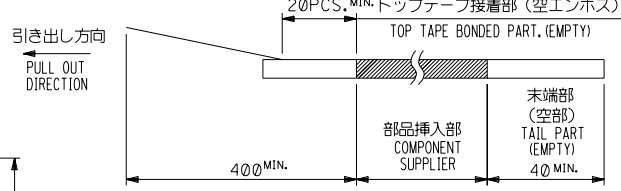
B

DO NOT SCALE DRAWING

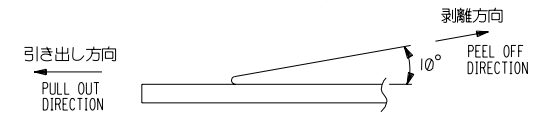
EMBANO. DRWN: CHK: APPR: E33NO. DRWN: CHK: APPR: E32NO. DRWN: CHK: APPR:		REVISED '02/10/15 E31NO. J2003-09177 DRWN: K.TOJO CHK: M.SASAO APPR: M.SASAO 新製品作成 RELEASED '00/12/13 E30NO. JC2001-0415 DRWN: N.YANO CHK: S.KUNISHI APPR: M.FUKUSHIMA		MATERIAL 材料 注記参照 SEE NOTES		GENERAL TOLERANCES: (UNLESS SPECIFIED) 一般公差 10 UNDER 未満 +0.2 10 OVER 以上 30 UNDER 未満 +0.25 30 OVER 以上 +0.3 ANGLE 角度 +3°		SCALE DESIGN UNITS <input checked="" type="checkbox"/> mm <input type="checkbox"/> INCH DRAWN BY & DATE N.YANO '00/12/13 CHECKED BY & DATE S.KUNISHI '00/12/13 APPROVED BY & DATE M.FUKUSHIMA '00/12/13 CAD FILENAME SD-54104-024.S01		DIMENSIONS: <input type="checkbox"/> mm <input type="checkbox"/> INCH <input checked="" type="checkbox"/> mm ONLY <input type="checkbox"/> PROJECTION SHT REV OTHERWISE ON CAD ONLY		TITLE: Embstp Pkg for 0.5 FPC Conn Zif Hsg Assy MOLEX INCORPORATED MATERIAL NO. 54104-**92 DRAWING NO. SD-54104-024 SHEET NO. 1 OF 2 SIZE B	
FINISH 仕上げ 〃		WIRE RANGE 適用電線範囲 〃		INS. RANGE 被覆外径 〃		DRAWING CONTAINS INFORMATION THAT IS PROPRIETARY TO MOLEX INCORPORATED AND SHOULD NOT BE USED WITHOUT WRITTEN PERMISSION.		EN-02J(097) MXJ-54					

NOTES

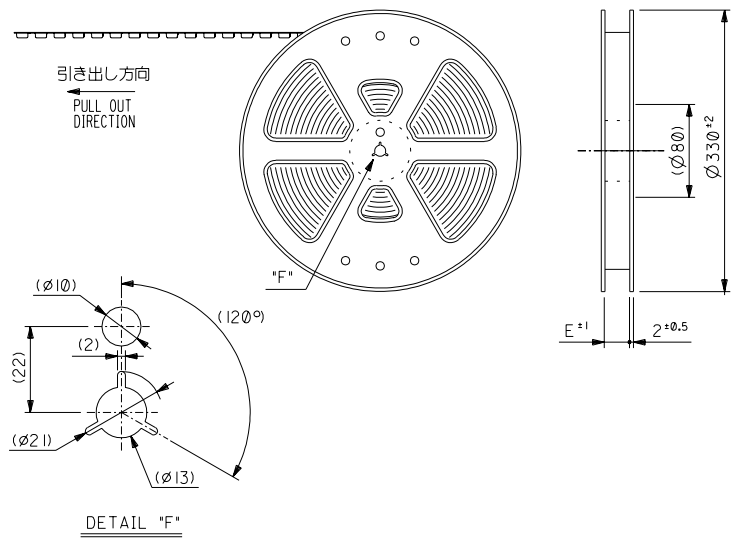
- 梱包数量：1500個/リール
NUMBER OF CONNECTORS：1500PCS/REEL
- リードテープ長さ LEAD TAPE LENGTH
20PCS, MIN. トップテープ接着部 (空エンボス)



- トップテープの剥離強度：0.1N ~ 0.7N(10.2gf ~ 71.4gf)
(剥離方向は下図参照)
尚、本規格値は出荷時に適用。(但し、輸送時に剥離が発生しないこと。)
PEELING OFF FORCE OF TOP TAPE：0.1N ~ 0.7N(10.2gf ~ 71.4gf)
(PEELING DIRECTION AS SHOWN IN FOLLOWING FIG.)
THIS REQUIREMENT SHOULD BE APPLIED AT SHIPMENT.
PEEL OFF SHOULD NOT BE ALLOWED, DURING TRANSPORTATION.



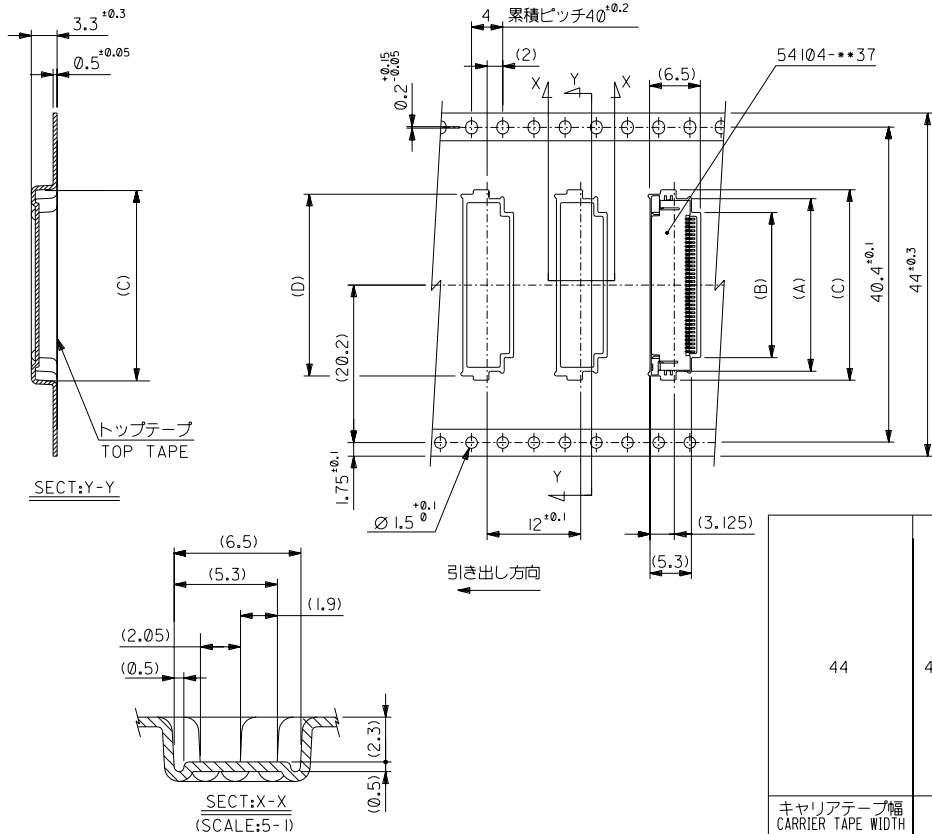
- 材料 (MATERIAL)
キャリアテープ (CARRIER TAPE)：ポリプロピレン (POLYPROPYLENE)
トップテープ (TOP TAPE)：PET, PE, PEF
リール (REEL)：ポリスチレン (PS) <リサイクル材を含む>
POLYSTYRENE (PS) <RECYCLE MATERIAL CONTAINED>



DETAIL "F"

DWG. NO. SD-54104-024

DO NOT SCALE DRAWING



44	45.5	30.8	31.9	26.1	29.6	54104-5092	50
		28.8	29.9	24.1	27.6	-4692	46
		28.3	29.4	23.6	27.1	-4592	45
		27.3	28.4	22.6	26.1	-4392	43
		25.8	26.9	21.1	24.6	-4092	40
		24.8	25.9	20.1	23.6	-3892	38
		23.8	24.9	19.1	22.6	-3692	36
		23.3	24.4	18.6	22.1	-3592	35
		22.8	23.9	18.1	21.6	-3492	34
		22.3	23.4	17.6	21.1	-3392	33
		21.8	22.9	17.1	20.6	-3292	32
		20.8	21.9	16.1	19.6	54104-3092	30
キャリアテープ幅 CARRIER TAPE WIDTH	E	D	C	B	A	MATERIAL NO.	CKT.

E30ANO. DRWN: CH/K APPR: A/P	E33NO. DRWN: CH/K APPR: A/P	E32NO. DRWN: CH/K APPR: A/P	A	0	REV DESCRIPTION	MATERIAL 材料	GENERAL TOLERANCES: (UNLESS SPECIFIED)		SCALE	DESIGN UNITS	<input checked="" type="checkbox"/> 20° ANGLE <input type="checkbox"/> FIRST ANGLE <input type="checkbox"/> PROJECTION <input type="checkbox"/> DIMENSIONS: <input type="checkbox"/> mm <input type="checkbox"/> INCH <input checked="" type="checkbox"/> mm ONLY	SHT	REV	
						SHEET 1 OF 2 参照 REFER TO SHEET 1 OF 2	10 UNDER 未満	+0.2	DRAWN BY & DATE N.YANO '00/12/13	TITLE: Embstp Pkg for 0.5 FPC Conn Zif Hsg Assy		<input type="checkbox"/> INCH <input type="checkbox"/> mm	2	OF 2
						FINISH 仕上げ	10 OVER 以上	30 UNDER 未満	+0.25	CHECKED BY & DATE S.KUNISHI '00/12/13				
WIRE RANGE 適用電線範囲	30 OVER 以上	+0.3	APPROVED BY & DATE M.FUKUSHIMA '00/12/13	CAD FILENAME SD-54104-024.S02	MATERIAL NO. 54104-***92	DRAWING NO. SD-54104-024	SHEET NO. 2 OF 2	EN-02J(097) MXJ-54						
INS. RANGE 被覆外径					<input checked="" type="checkbox"/> THIS DRAWING CONTAINS INFORMATION THAT IS PROPRIETARY TO MOLEX INCORPORATED AND SHOULD NOT BE USED WITHOUT WRITTEN PERMISSION.									