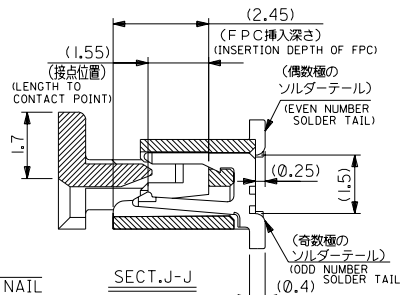
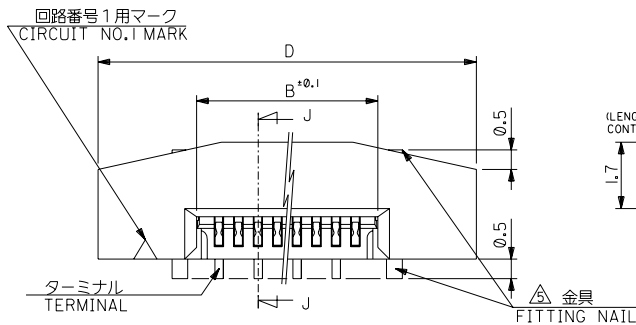
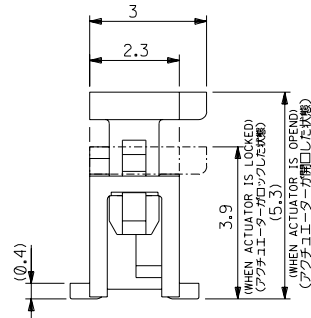
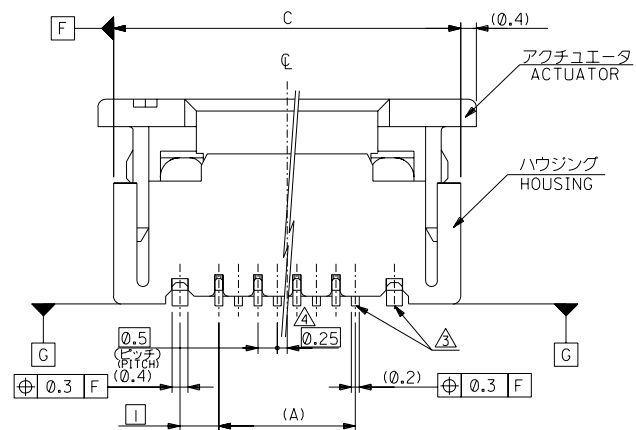


DWG. NO. SD-52559-044



注記 NOTES

- 使用材料 : MATERIAL
  - ハウジング : 46NYLON UL94V-0
  - ハウジング HOUSING
  - アクチュエータ : PPS UL94V-0
  - アクチュエータ ACTUATOR
  - ターミナル : リン青銅、銅下地半田メッキ (t=0.2)
  - TERMINAL PHOS-BRO.TIN-LEAD(9:1) 3~5 MICRON METER OVER COPPER 1~2.5 MICRON METER PLATED
  - 金具 : リン青銅、銅下地半田メッキ (t=0.4)
  - FITTING NAIL PHOS-BRO.TIN-LEAD(9:1) 3~5 MICRON METER OVER COPPER 1~2.5 MICRON METER PLATED
- エンボスステップ埋め時は、アクチュエータがロックした状態とする。  
 IN THE PACKAGE, ACTUATOR OF PART NO.52559-\*\*\*17 SHOULD BE LOCKED.  
 ソルダテール半田付け面のズレ量、及び金具半田付け面のズレ量は、基準面 G に対し上方向 0.05 MAX.、下方向 0.15 MAX.とする。  
 MISALIGNMENT OF SOLDER TAILS AND FITTING NAILS FROM UPPER DIRECTION: 0.05 MAX., LOWER DIRECTION: 0.15 MAX.  
 偶数種に適用。  
 APPLY FOR EVEN CIRCUIT.  
 パターンはくり止め用金具。  
 FITTING NAIL FOR PREVENTION OF PEELING OF P.C.B. PATTERN.  
 R0.3は、F.P.Cの導体部にかからないこと。  
 R0.3 MUST NOT BE OVERLAPPED TO PATTERN OF FPC.



DO NOT SCALE DRAWING	E84NO. DRWN: CHK: APPR:	E83NO. DRWN: CHK: APPR:	E82NO. DRWN: CHK: APPR:	E81NO. DRWN: CHK: APPR:	REDRAWN E80NO. J2003-2624 DRWN: K. TOJO CHK: H. SAKABE APPR: H. SAKABE	MATERIAL 材料 注記参照 SEE NOTES	FINISH 仕上げ —	WIRE RANGE 適用電線範囲 —	INS. RANGE 被覆外径 —	GENERAL TOLERANCES: (UNLESS SPECIFIED) — 一般公差	SCALE —	DESIGN UNITS <input checked="" type="checkbox"/> mm <input type="checkbox"/> INCH	<input checked="" type="checkbox"/> THIRD ANGLE PROJECTION	DIMENSIONS: <input type="checkbox"/> mm <input type="checkbox"/> INCH <input checked="" type="checkbox"/> mm ONLY	SHT	REV	
										10 UNDER 未満 10 OVER 以上	±0.2	DRAWN BY & DATE K. TOJO '03/04/17	TITLE: 0.5 FPC Conn. Assy ZIF.	2	1		
										30 UNDER 未満 30 OVER 以上	±0.25	CHECKED BY & DATE H. SAKABE '03/04/17	MOLEX INCORPORATED				
										ANGLE 角度	±3°	APPROVED BY & DATE H. SAKABE '03/04/17	MATERIAL NO. 52559-***17			DRAWING NO. SD-52559-044	SHEET NO. 1 OF 2
										DRAWING CONTAINS INFORMATION THAT IS PROPRIETARY TO MOLEX INCORPORATED AND SHOULD NOT BE USED WITHOUT WRITTEN PERMISSION.						SIZE B	
										EN-02J(097) MXJ-54							

DWG. NO. SD-52559-044

F

D

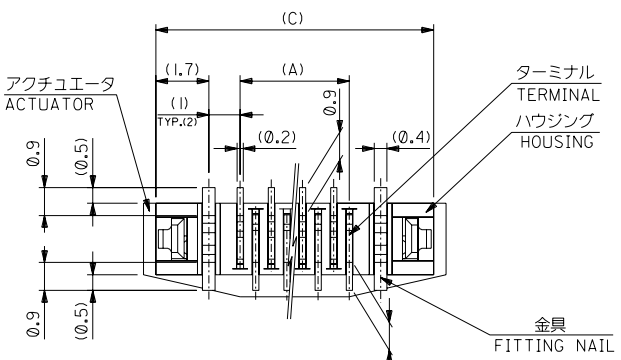
V

C

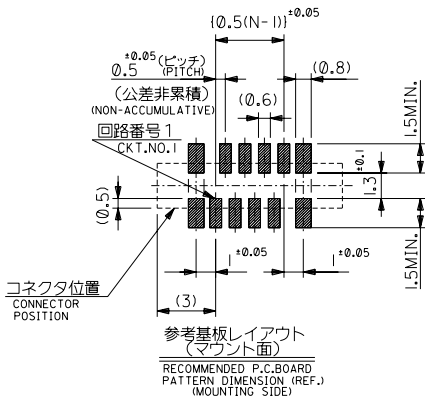
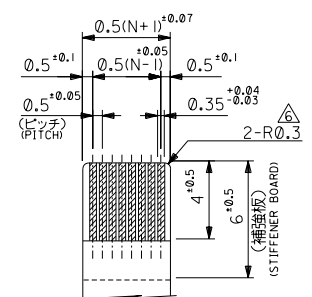
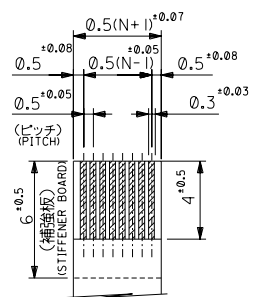
B

DO NOT SCALE DRAWING

8 7 6 5 4 3 2 1



下面図  
BOTTOM VIEW



適合 FFC 推奨寸法  
APPLICABLE FFC  
RECOMMENDED DIMENSION.  
(仕上がり厚さ: 0.3±0.05)  
(THICKNESS: 0.3±0.05)

適合 FPC 推奨寸法  
APPLICABLE FPC  
RECOMMENDED DIMENSION.  
(仕上がり厚さ: 0.3±0.05)  
(THICKNESS: 0.3±0.05)

25.7	24.9	20.65	19.5	52559-4017	40
25.2	24.4	20.15	19.0	-3917	39
24.7	23.9	19.65	18.5	-3817	38
24.2	23.4	19.15	18.0	-3717	37
23.7	22.9	18.65	17.5	-3617	36
23.2	22.4	18.15	17.0	-3517	35
22.7	21.9	17.65	16.5	-3417	34
22.2	21.4	17.15	16.0	-3317	33
21.7	20.9	16.65	15.5	-3217	32
21.2	20.4	16.15	15.0	-3117	31
20.7	19.9	15.65	14.5	-3017	30
20.2	19.4	15.15	14.0	-2917	29
19.7	18.9	14.65	13.5	-2817	28
19.2	18.4	14.15	13.0	-2717	27
18.7	17.9	13.65	12.5	-2617	26
18.2	17.4	13.15	12.0	-2517	25
17.7	16.9	12.65	11.5	-2417	24
17.2	16.4	12.15	11.0	-2317	23
16.7	15.9	11.65	10.5	-2217	22
16.2	15.4	11.15	10.0	-2117	21
15.7	14.9	10.65	9.5	-2017	20
15.2	14.4	10.15	9.0	-1917	19
14.7	13.9	9.65	8.5	-1817	18
14.2	13.4	9.15	8.0	-1717	17
13.7	12.9	8.65	7.5	-1617	16
13.2	12.4	8.15	7.0	-1517	15
12.7	11.9	7.65	6.5	-1417	14
12.2	11.4	7.15	6.0	-1317	13
11.7	10.9	6.65	5.5	-1217	12
11.2	10.4	6.15	5.0	-1117	11
10.7	9.9	5.65	4.5	-1017	10
10.2	9.4	5.15	4.0	-0917	9
9.7	8.9	4.65	3.5	-0817	8
9.2	8.4	4.15	3.0	-0717	7
8.7	7.9	3.65	2.5	52559-0617	6
D	C	B	(A)	MATERIAL NO.	種数 CRT.

F

E

D

C

B

SD-52559-044.02

DESIGNER	DRWING	CHK'G	APPR	DESIGNER	DRWING	CHK'G	APPR	DESIGNER	DRWING	CHK'G	APPR	DESIGNER	DRWING	CHK'G	APPR

REDRAWN  
J2003-2624  
DRAWN: K. TOJO  
CHK'G: H. SAKABE  
APPR: H. SAKABE

MATERIAL	注記参照
FINISH	仕上げ
WIRE RANGE	適用電線範囲
INS. RANGE	適用電線径

GENERAL TOLERANCES: (UNLESS SPECIFIED)	SCALE	DESIGN UNITS
10 UNDER 未満	1:1	mm
10 OVER 以上	0.25	mm
30 OVER 以上	0.3	mm
ANGLE 角度	3°	

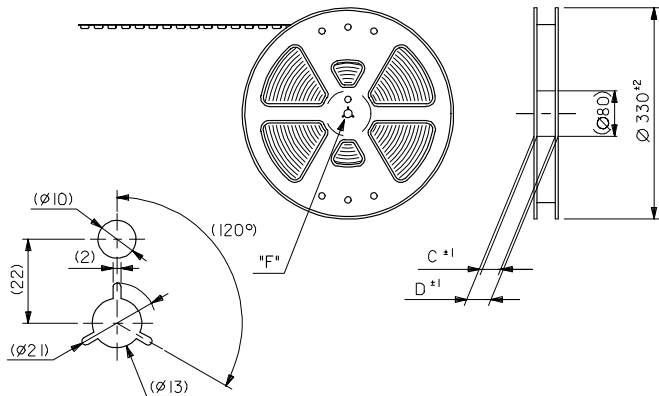
DRAWN BY & DATE  
K. TOJO '03/04/17  
CHECKED BY & DATE  
H. SAKABE '03/04/17  
APPROVED BY & DATE  
H. SAKABE '03/04/17

TITLE:  
0.5 FPC Conn. Assy ZIF.  
MOLEX INCORPORATED  
CAD FILENAME: SD-52559-044.S02  
MATERIAL NO.: 52559-0017  
DRAWING NO.: SD-52559-044  
SHEET NO.: 2 OF 2  
SIZE: B

EN-02J(097) MXJ-54

10 9 8 7 6 5 4 3 2 1

引き出し方向  
PULL OUT  
DIRECTION



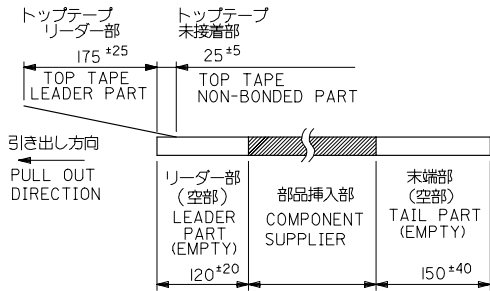
DETAIL "F"

5. 材料 キャリアテープ:ポリプロピレン (PP)  
トップテープ:PET, PE, PEF  
リール:ポリスチレン (PS) <リサイクル材を含む>

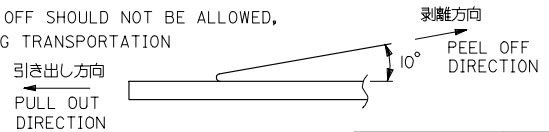
MATERIAL CARRIER TAPE:POLYPROPYLENE  
TOP TAPE:PET,PE,PEF  
REEL:POLYSTYREN(PS)  
<RECYCLE MATERIAL CONTAINED>

注記 NOTES

- 製品番号 52559-\*\*17 の梱包状態はアクチュエータがロックした状態とする。  
詳細寸法については図面 SD-52559-\*\*17 を参照下さい。  
IN THE PACKAGE,ACTUATOR OF PART NO.52559-\*\*17 SHOULD BE LOCKED  
RE DETAILED DIMENSIONS,SEE SD-52559-\*\*17
- 梱包数量:1000個/リール  
NUMBER OF CONNECTORS:1000PCS/REEL
- リードテープ長さ LEAD TAPE LENGTH



- トップテープの剥離強度:(剥離方向は下図参照)  
0.1N~0.7N(10.2gf~71.4gf) 尚、本規格値は、出荷時に適用。  
(但し、輸送時に剥離が発生しない事。)  
PEELING OFF FORCE OF TOP TAPE  
0.1N~0.7N(10.2gf~71.4gf)(PEELING DIRECTION AS SHOWN IN FOLLOWING FIG.)  
THIS REQUIREMENT SHOULD BE APPLIED AT SHIPMENT  
PEEL OFF SHOULD NOT BE ALLOWED,  
DURING TRANSPORTATION



REVISED EC NO: J2006-3700 2006/06/16 DRAWN: HABEI CHKD: KUYODA 2006/06/19 APPR: NUKITA 2006/06/22	GENERAL TOLERANCES (UNLESS SPECIFIED)		DIMENSION STYLE MM ONLY		SCALE ---	52559-**90	MODEL NO.
	10 UNDER	±---	DRAWN BY S. KAJIYUMA	DATE '91/11/13	TITLE	0.5 FPC CONN ASSY ZIF SMT ST EMBSTP PKG	THIRD ANGLE PROJECTION
	10 OVER 30 UNDER	±---	CHECKED BY S. KUNISHI	DATE '00/12/20	MOLEX MOLEX INCORPORATED		
	30 OVER	±---	APPROVED BY M. FUKUSHIMA	DATE '00/12/20			
ANGULAR	±--- °	MATERIAL NO. SEE CHART		DOCUMENT NO. SD-52559-051	SHEET NO. 1 OF 4		
DRAFT WHERE APPLICABLE MUST REMAIN WITHIN DIMENSIONS		THIS DRAWING CONTAINS INFORMATION THAT IS PROPRIETARY TO MOLEX INCORPORATED AND SHOULD NOT BE USED WITHOUT WRITTEN PERMISSION					

10 9 8 7 6 5 4 3 2 1

F F

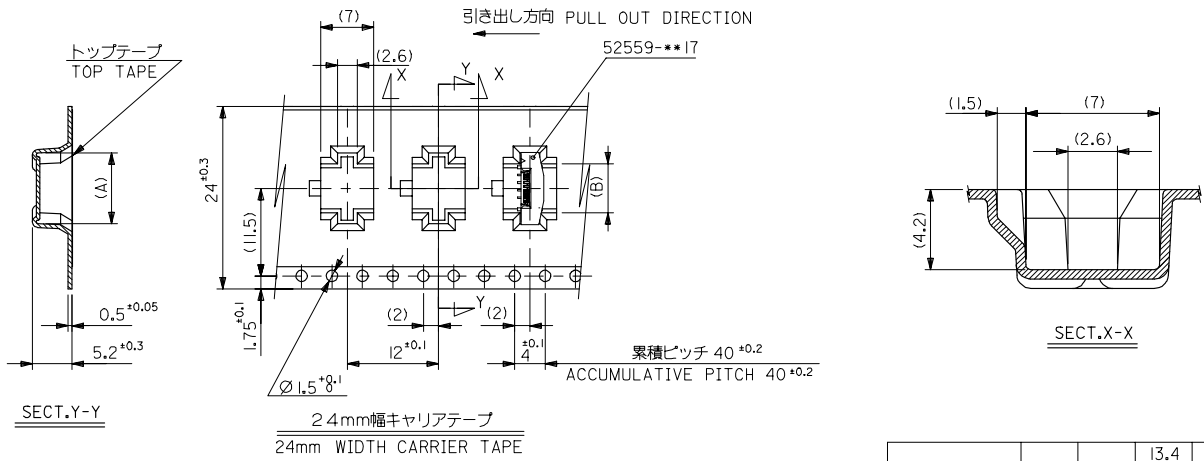
E E

D D

C C

B B

A A



24	29.4	25.4	13.4	16.3	52559-2290	22
			12.4	15.3	52559-2090	20
			11.9	14.8	52559-1990	19
			11.4	14.3	52559-1890	18
			10.4	13.3	52559-1690	16
			9.9	12.8	52559-1590	15
			9.4	12.3	52559-1490	14
			8.9	11.8	52559-1390	13
			8.4	11.3	52559-1290	12
			7.9	10.8	52559-1190	11
			6.4	9.3	52559-0890	8
			5.4	8.3	52559-0690	6

REVISED IEC NO. J2006-3700 2006/06/16 (DRAWN) MABEI 2006/06/19 (CHK) KATOYODA 2006/06/22 (APP) NUKITA	GENERAL TOLERANCES (UNLESS SPECIFIED)		DIMENSION STYLE MM ONLY		SCALE ---	DESIGN UNITS METRIC	THIRD ANGLE PROJECTION
	10 UNDER	± ---	DRAWN BY S. KAJINUMA	DATE '91/11/13	TITLE 0.5 FPC CONN ASSY ZIF SMT ST EMBSTP PKG MOLEX INCORPORATED DOCUMENT NO. SD-52559-051 SHEET NO. 2 OF 4		
	10 OVER 30 UNDER	± ---	CHECKED BY S. KUNISHI	DATE '00/12/20			
	30 OVER	± ---	APPROVED BY M. FUKUSHIMA	DATE '00/12/20			
	ANGULAR	± --- °	MATERIAL NO. SEE CHART	SIZE A3			
DRAFT WHERE APPLICABLE MUST REMAIN WITHIN DIMENSIONS		THIS DRAWING CONTAINS INFORMATION THAT IS PROPRIETARY TO MOLEX INCORPORATED AND SHOULD NOT BE USED WITHOUT WRITTEN PERMISSION					

10 9 8 7 6 5 4 3 2 1

F

E

D

C

B

A

F

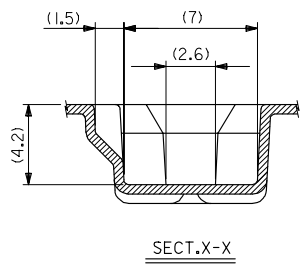
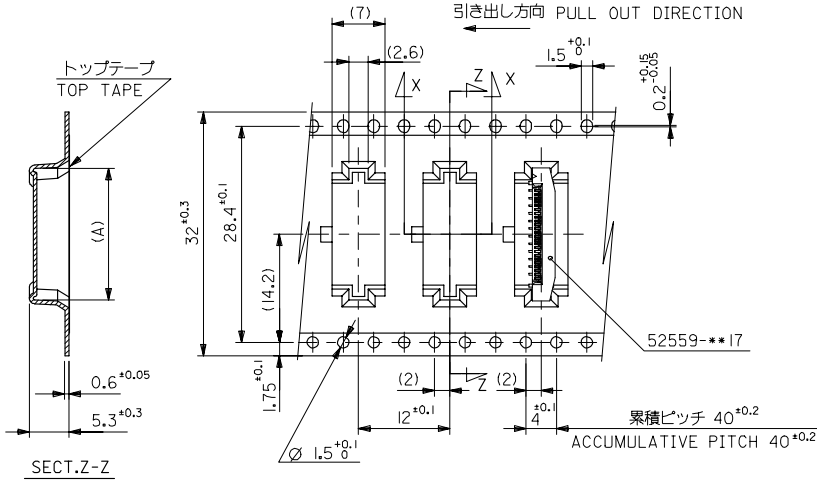
E

D

C

B

A



32mm幅キャリアテープ  
32mm WIDTH CARRIER TAPE

32	37.4	33.4	18.9	21.8	52559-3390	33
			18.4	21.3	52559-3290	32
			17.4	20.3	52559-3090	30
			16.4	19.3	52559-2890	28
			15.4	18.3	52559-2690	26
			14.9	17.8	52559-2590	25
			14.4	17.3	52559-2490	24

REVISED IEC NO. J2006-3700 2006/06/16 DRAWN: H. NABEI 2006/06/19 CHKD: K. TOYODA 2006/06/22 APPR: N. KITA	GENERAL TOLERANCES (UNLESS SPECIFIED)	DIMENSION STYLE MM ONLY	SCALE ---	DESIGN UNITS METRIC	THIRD ANGLE PROJECTION	
	10 UNDER ± ---	DRAWN BY S. KAJIYUMA	DATE '91/11/13	0.5 FPC CONN ASSY ZIF SMT ST EMBSTP PKG  MOLEX INCORPORATED DOCUMENT NO. SD-52559-051 SHEET NO. 3 OF 4		
	10 OVER 30 UNDER ± ---	CHECKED BY S. KUNISHI	DATE '00/12/20			
	30 OVER ± ---	APPROVED BY M. FUKUSHIMA	DATE '00/12/20			
	ANGULAR ± --- °	MATERIAL NO. SEE CHART	SIZE A3			
DRAFT WHERE APPLICABLE MUST REMAIN WITHIN DIMENSIONS	THIS DRAWING CONTAINS INFORMATION THAT IS PROPRIETARY TO MOLEX INCORPORATED AND SHOULD NOT BE USED WITHOUT WRITTEN PERMISSION					

10 9 8 7 6 5 4 3 2 1

F

E

D

C

B

A

F

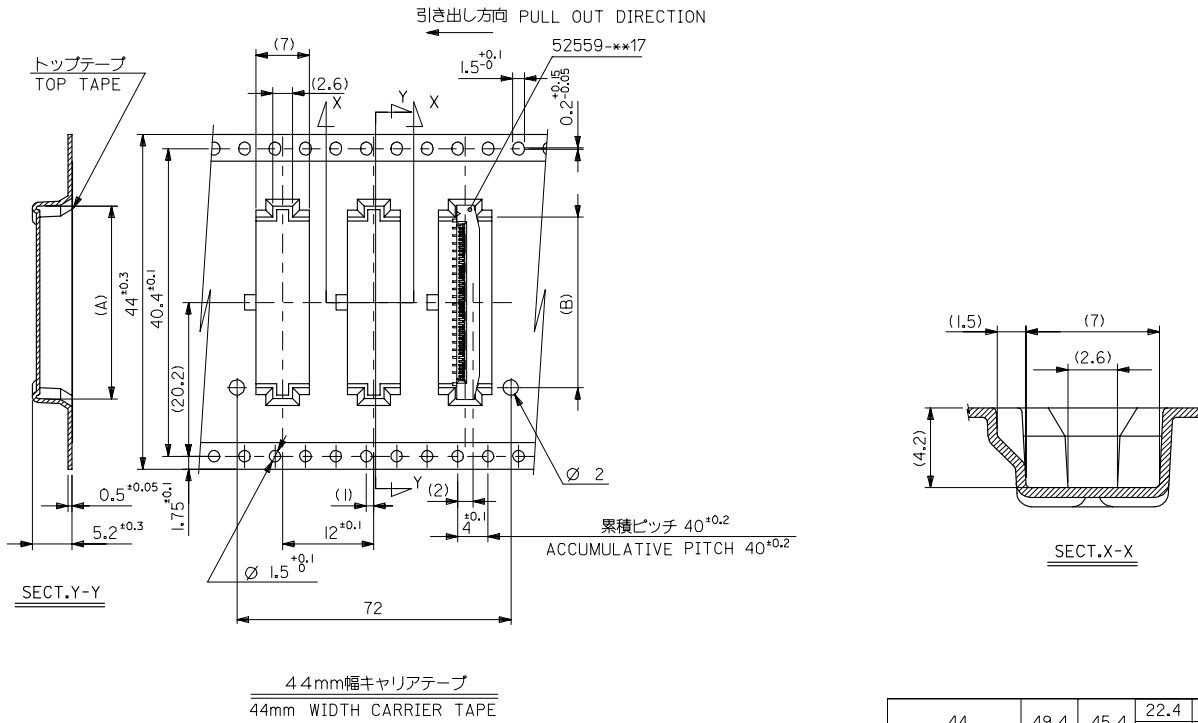
E

D

C

B

A



44	49.4	45.4	22.4	25.3	52559-4090	40
キャリアテープ幅 CARRIER TAPE WIDTH	D	C	(B)	(A)	52559-3690	36
					MATERIAL NO.	CIRCUIT NO.

REVISED IEC NO: J2006-3700 2006/06/16 DRW:HNABEI 2006/06/19 CHK:KTOYODA 2006/06/19 APPR:NIKIITA 2006/06/17	GENERAL TOLERANCES (UNLESS SPECIFIED)		DIMENSION STYLE MM ONLY		SCALE ---	DESIGN UNITS METRIC	THIRD ANGLE PROJECTION
	10 UNDER	± ---	DRAWN BY S. KAJINUMA	DATE '91/11/13	TITLE 0.5 FPC CONN ASSY ZIF SMT ST EMBSTP PKG  MOLEX INCORPORATED DOCUMENT NO. SD-52559-051 SHEET NO. 4 OF 4		
	10 OVER 30 UNDER	± ---	CHECKED BY S. KUNISHI	DATE '00/12/20			
	30 OVER	± ---	APPROVED BY M. FUKUSHIMA	DATE '00/12/20			
	ANGULAR	± --- °	MATERIAL NO.				
DRAFT WHERE APPLICABLE MUST REMAIN WITHIN DIMENSIONS		SEE CHART					

tb\_frame\_A3\_1\_ME\_S  
Rev. D 2004/04/02

9

8

7

6

5

4

3

2

EN-02JA(021)