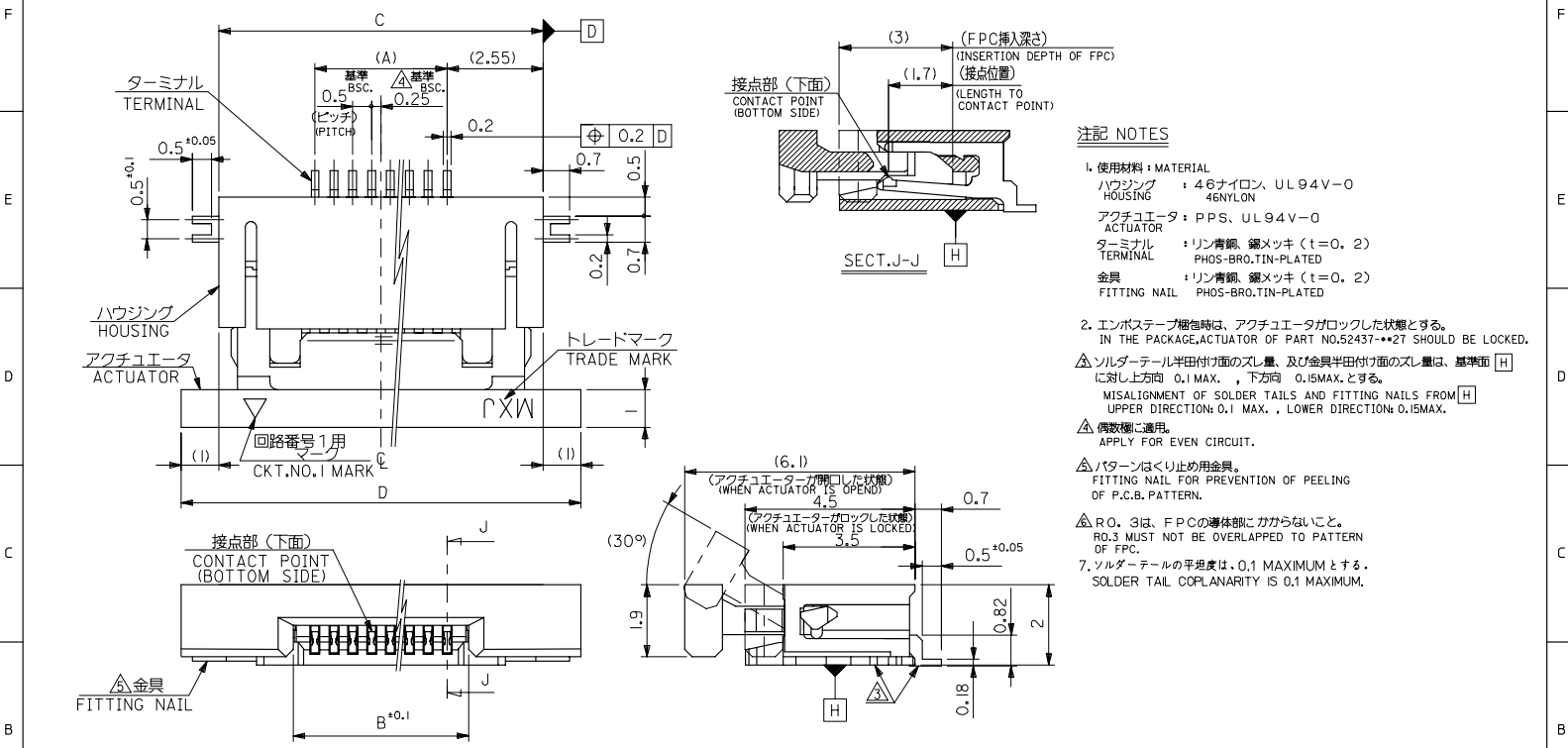


10 9 8 7 6 5 4 3 2 1

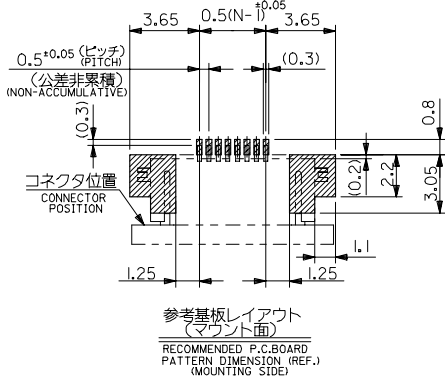
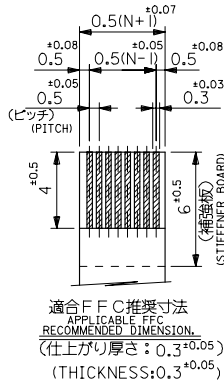
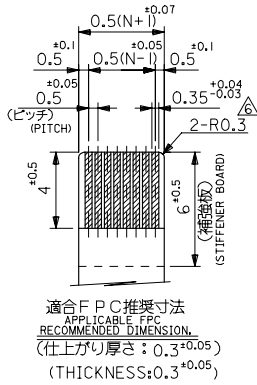


注記 NOTES

1. 使用材料 : MATERIAL
 ハウジング : 46ナイロン, UL 94V-0
 HOUSING : 46NYLON
 アクチュエータ : PPS, UL 94V-0
 ACTUATOR
 ターミナル : リン青銅, 鍍メッキ (t=0.2)
 TERMINAL : PHOS-BRO.TIN-PLATED
 金具 : リン青銅, 鍍メッキ (t=0.2)
 FITTING NAIL : PHOS-BRO.TIN-PLATED
2. エンボステープ梱包時は, アクチュエータがロックした状態とする。
 IN THE PACKAGE, ACTUATOR OF PART NO.52437-**-27 SHOULD BE LOCKED.
- △ ソルダータール半田付け面のズレ量, 及び金具半田付け面のズレ量は, 基準面 H に対し上方向 0.1 MAX., 下方向 0.15MAX. とする。
 MISALIGNMENT OF SOLDER TAILS AND FITTING NAILS FROM H UPPER DIRECTION: 0.1 MAX., LOWER DIRECTION: 0.15MAX.
- △ 偶数極に適用。
 APPLY FOR EVEN CIRCUIT.
- △ パターンはくくり止め用金具。
 FITTING NAIL FOR PREVENTION OF PEELING OF P.C.B. PATTERN.
- △ R.O. 3は, FPCの導体部にかからないこと。
 R.O.3 MUST NOT BE OVERLAPPED TO PATTERN OF FPC.
7. ソルダータールの平面度は, 0.1 MAXIMUM とする。
 SOLDER TAIL COPLANARITY IS 0.1 MAXIMUM.

REVISED IEC NO. J2005-0980 2004/10/01 DRAWN: WABEI CHKD: KTOJO 2004/10/01 APPR: NIKITA 2004/10/12 DESCRIPTION J	GENERAL TOLERANCES (UNLESS SPECIFIED)		DIMENSION STYLE MM ONLY		SCALE ---	DESIGN UNITS METRIC	THIRD ANGLE PROJECTION
	10 UNDER	±0.2	DRAWN BY SKAJ INUM	DATE '91/03/29	TITLE 0.5 FPC CONN ZIF FOR SMT R/A(BOTTOM CONTACT)		
	10 OVER 30 UNDER	±0.25	CHECKED BY MFUKUSHI	DATE '97/07/14	MOLEX INCORPORATED		
	30 OVER	±0.3	APPROVED BY MFUKUSHI	DATE '97/07/14	DOCUMENT NO. SD-52437-**-27		
	ANGULAR ±3 °		MATERIAL NO. SEE CHART		SHEET NO. 1 OF 2		
DRAFT WHERE APPLICABLE MUST REMAIN WITHIN DIMENSIONS			SIZE A3	THIS DRAWING CONTAINS INFORMATION THAT IS PROPRIETARY TO MOLEX INCORPORATED AND SHOULD NOT BE USED WITHOUT WRITTEN PERMISSION			

10 9 8 7 6 5 4 3 2 1

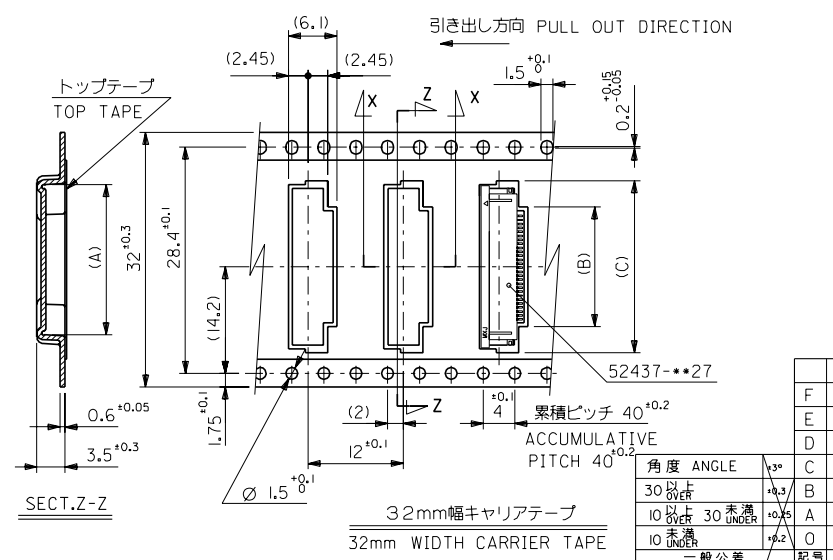
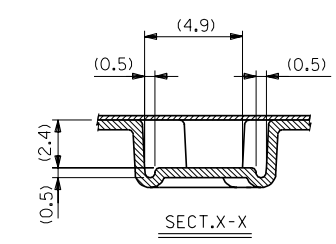
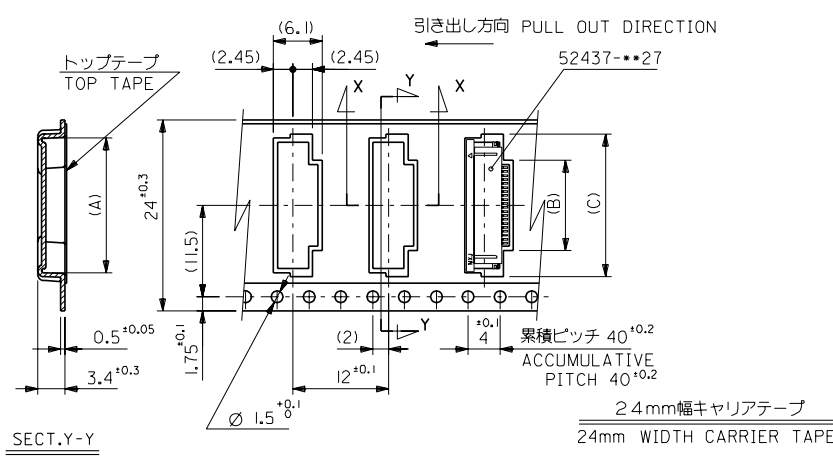


21.6	19.6	15.65	14.5	52437-3027	30
21.1	19.1	15.15	14.0	-2927	29
20.6	18.6	14.65	13.5	-2827	28
20.1	18.1	14.15	13.0	-2727	27
19.6	17.6	13.65	12.5	-2627	26
19.1	17.1	13.15	12.0	-2527	25
18.6	16.6	12.65	11.5	-2427	24
18.1	16.1	12.15	11.0	-2327	23
17.6	15.6	11.65	10.5	-2227	22
17.1	15.1	11.15	10.0	-2127	21
16.6	14.6	10.65	9.5	-2027	20
16.1	14.1	10.15	9.0	-1927	19
15.6	13.6	9.65	8.5	-1827	18
15.1	13.1	9.15	8.0	-1727	17
14.6	12.6	8.65	7.5	-1627	16
14.1	12.1	8.15	7.0	-1527	15
13.6	11.6	7.65	6.5	-1427	14
13.1	11.1	7.15	6.0	-1327	13
12.6	10.6	6.65	5.5	-1227	12
12.1	10.1	6.15	5.0	-1127	11
11.6	9.6	5.65	4.5	-1027	10
11.1	9.1	5.15	4.0	-0927	9
10.6	8.6	4.65	3.5	-0827	8
10.1	8.1	4.15	3.0	-0727	7
9.6	7.6	3.65	2.5	52437-0627	6
D	C	B	(A)	ENG. NO.	極数

GENERAL TOLERANCES (UNLESS SPECIFIED)		DIMENSION STYLE		SCALE	DESIGN UNITS	THIRD ANGLE PROJECTION	
		MM ONLY		---	METRIC		
10 UNDER	±0.2	DRAWN BY	DATE	TITLE 0.5 FPC CONN ZIF FOR SMT R/A(BOTTOM CONTACT)			
10 OVER 30 UNDER	±0.25	SKAJ INUM	'91/03/29				
30 OVER	±0.3	CHECKED BY	DATE				
ANGULAR	±3 °	APPROVED BY	DATE	MOLEX INCORPORATED			
DRAFT WHERE APPLICABLE MUST REMAIN WITHIN DIMENSIONS		MFUKUSHI	'97/07/14				
		MATERIAL NO.		DOCUMENT NO.		SHEET NO.	
		SEE CHART		SD-52437-**27		2 OF 2	
		THIS DRAWING CONTAINS INFORMATION THAT IS PROPRIETARY TO MOLEX INCORPORATED AND SHOULD NOT BE USED WITHOUT WRITTEN PERMISSION					

DWG. NO. SD-52437-**-91

DIMENSIONS IN METRIC DO NOT SCALE DRAWING



32	33.5	22.4	15.8	21.4	52437-2991	29
		21.9	15.3	20.9	-2891	28
		21.4	14.8	20.4	-2791	27
		20.9	14.3	19.9	-2691	26
		20.4	13.8	19.4	-2591	25
		19.9	13.3	18.9	-2491	24
		19.4	12.8	18.4	-2391	23
		18.9	12.3	17.9	-2291	22
		17.9	11.3	16.9	-2091	20
		17.4	10.8	16.4	-1991	19
24	25.5	16.9	10.3	15.9	-1891	18
		16.4	9.8	15.4	-1791	17
		15.9	9.3	14.9	-1691	16
		15.4	8.8	14.4	-1591	15
		14.9	8.3	13.9	-1491	14
		14.4	7.8	13.4	-1391	13
		13.9	7.3	12.9	-1291	12
		13.4	6.8	12.4	-1191	11
		12.9	6.3	11.9	-1091	10
		12.4	5.8	11.4	-0991	9
11.9	5.3	10.9	-0891	8		
11.4	4.8	10.4	-0791	7		
10.9	4.3	9.9	52437-0691	6		

材料 MATERIAL	SHEET 1 OF 3 参照
REFER TO SHEET 1 OF 3	
仕上げ FINISH	---
適用電線範囲 WIRE RANGE	---
被覆外径 INS. RANGE	---
DRAWN BY 9/13/29	CHK'D BY 002/12/20
S.KAJIYAMA	S.KUNISHI
APP'D BY 002/12/20	尺度 SCALE
M.FUKUSHIMA	---

MOLEX-JAPAN CO.,LTD.
日本モレックス株式会社

REVISE ONLY ON CAD SYSTEM

TITLE 名称
0.5 FPC Conn ZIF
SMT R/A
With Tape Embstp Pkg

DWG. NO. (SHEET 2 OF 3) REV
SD-52437-**-91

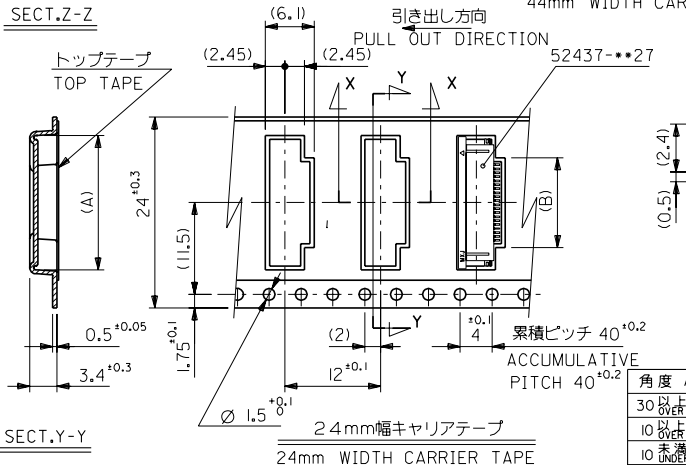
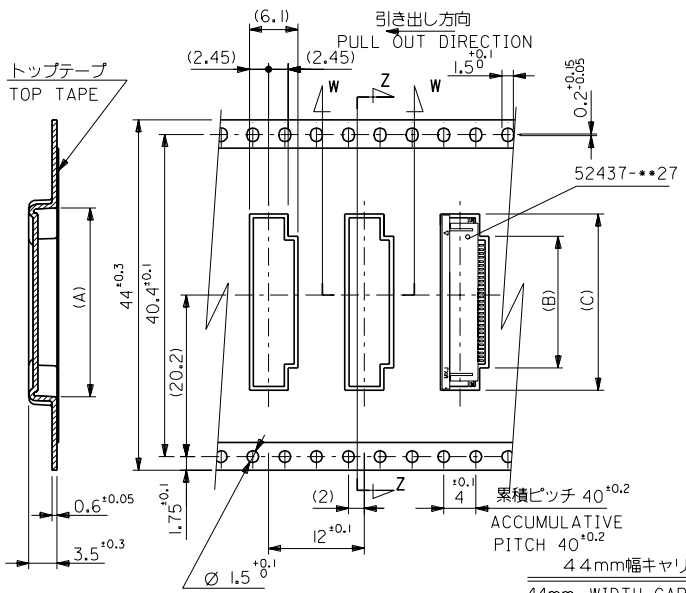
角度 ANGLE	±3°
30以上 OVER	±0.3
10以上 未過 UNDER	±0.25
10 UNDER	±0.2
一般公差 GENERAL TOLERANCES	---

THIS DRAWING CONTAINS INFORMATION THAT IS PROPRIETARY TO MOLEX/JAPAN AND SHOULD NOT BE USED WITHOUT WRITTEN PERMISSION
本図面は日本モレックス(株)の所有する情報を含むもので 当社の許可なく複製を禁止する。

EN-01C(032)MXJ-32

DWG. NO. SD-52437-***91

DIMENSIONS IN METRIC DO NOT SCALE DRAWING



44	45.5	22.9	16.3	21.9	52437-3091	30
キャリアテープ幅 CARRIER TAPE WIDTH	D	(C)	(B)	(A)	ENG. NO.	極数 CIRCUIT

24	25.5	11.8	17.4	52437-2191	21
キャリアテープ幅 CARRIER TAPE WIDTH	D	(B)	(A)	ENG. NO.	極数 CIRCUIT

材料 MATERIAL	SHEET 1 OF 3 参照 REFER TO SHEET 1 OF 3	
F 変更 REVISED	UC2001-0458	100/12/15
E 変更 REVISED	(J410051)	34/12/13
D 変更 REVISED	(J40900)	34/11/13
C 変更 REVISED	(J30060)	33/11/25
B 変更 REVISED	(J20834)	32/12/14
A 変更 REVISED	(J20544)	32/11/16
記号 LTR	変更内容 REVISION RECORD	DR. 日付 CHK. DATE

モレックス MOLEX	MOLEX-JAPAN CO.,LTD. 日本モレックス株式会社
REVISE ONLY ON CAD SYSTEM	
TITLE 名称 0.5 FPC Conn ZIF SMT R/A With Tape Embstp Pkg	
DWG. NO. (SHEET 3 OF 3) REV SD-52437-***91	

角角度 ANGLE 130°
 30以上 OVER +0.5
 10以上 未過 30 UNDER +0.25
 10 UNDER 未過 +0.2

一般公差
GENERAL TOLERANCES

THIS DRAWING CONTAINS INFORMATION THAT IS PROPRIETARY TO MOLEX/JAPAN AND SHOULD NOT BE USED WITHOUT WRITTEN PERMISSION
 本図面は日本モレックス(株)の所有する情報を含むもので 当社の許可なく複製を禁止する。
 EN-01C(032)MXJ-32