

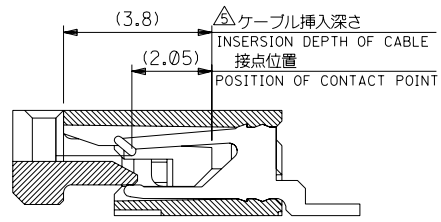
- 注記 NOTES**
- △ 接点部までの嵌合長さ。 LENGTH TO CONTACT POINT.
 2. 使用材料 MATERIAL
 ハウジング: 46ナイロン (耐熱性), UL94V-0
 アクチュエータ: PPS, UL94V-0
 ターミナル: リン青銅, 半田メッキ (t=0.32)
 金具: PHOS-BRO., TIN-LEAD PLATED (t=0.25)
 FITTING NAIL: COPPER ALLOY, TIN-LEAD PLATED (t=0.25)
 - △ パターンはくり止め用金具
 FITTING NAIL FOR PREVENTION OF PEELING OF P.C.B. PATTERN.
 4. エンボステップ梱包時は、アクチュエータがロックした状態とする。
 IN THE PACKAGE, ACTUATOR OF PART NO. 52207-**-17 SHOULD BE LOCKED.
 - △ ケーブル挿入深さ
 INSERTION DEPTH OF CABLE.
 - △ パターン書き込み禁止エリア。
 NO FOOT PRINT AREA.

RECOMMENDED PATTERN DIM.(REF.)

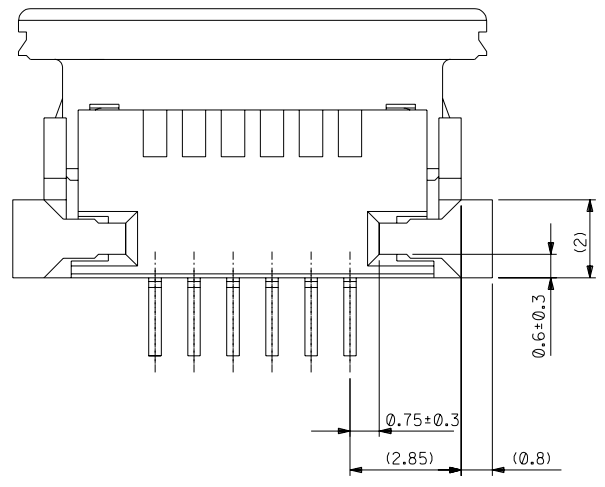
| 38.7 | 35.2 | 33 | 52207-3417 | 34 |
|------|------|----|------------|----|
| 34.7 | 31.2 | 29 | -3017 | 30 |
| 33.7 | 30.2 | 28 | -2917 | 29 |
| 32.7 | 29.2 | 27 | -2817 | 28 |
| 31.7 | 28.2 | 26 | -2717 | 27 |
| 30.7 | 27.2 | 25 | -2617 | 26 |
| 29.7 | 26.2 | 24 | -2517 | 25 |
| 28.7 | 25.2 | 23 | -2417 | 24 |
| 27.7 | 24.2 | 22 | -2317 | 23 |
| 26.7 | 23.2 | 21 | -2217 | 22 |
| 25.7 | 22.2 | 20 | -2117 | 21 |
| 24.7 | 21.2 | 19 | -2017 | 20 |
| 23.7 | 20.2 | 18 | -1917 | 19 |
| 22.7 | 19.2 | 17 | -1817 | 18 |
| 21.7 | 18.2 | 16 | -1717 | 17 |
| 20.7 | 17.2 | 15 | -1617 | 16 |
| 19.7 | 16.2 | 14 | -1517 | 15 |
| 18.7 | 15.2 | 13 | -1417 | 14 |
| 17.7 | 14.2 | 12 | -1317 | 13 |
| 16.7 | 13.2 | 11 | -1217 | 12 |
| 15.7 | 12.2 | 10 | -1117 | 11 |
| 14.7 | 11.2 | 9 | -1017 | 10 |
| 13.7 | 10.2 | 8 | -0917 | 9 |
| 12.7 | 9.2 | 7 | -0817 | 8 |
| 11.7 | 8.2 | 6 | -0717 | 7 |
| 10.7 | 7.2 | 5 | -0617 | 6 |
| 9.7 | 6.2 | 4 | -0517 | 5 |
| 8.7 | 5.2 | 3 | -0417 | 4 |
| 7.7 | 4.2 | 2 | 52207-0317 | 3 |

| | | | | | | | | | | | | | | | | | | | |
|----------------------|-------|---------|-------|----------|-------|---------------------|-------|----------|---|--------------|----|------------------------|----|-------------|----|-----|----|-----|----|
| DO NOT SCALE DRAWING | | REDRAWN | | MATERIAL | | GENERAL TOLERANCES: | | SCALE | | DESIGN UNITS | | THIRD ANGLE PROJECTION | | DIMENSIONS: | | SHT | | REV | |
| EC NO. | DRWN: | CHK: | APPR: | EC NO. | DRWN: | CHK: | APPR: | 10 UNDER | + | 0.2 | mm | mm | mm | mm | mm | mm | mm | mm | mm |
| 8 | | | | 7 | | | | 10 OVER | + | 0.25 | mm | mm | mm | mm | mm | mm | mm | mm | mm |
| | | | | 6 | | | | 30 UNDER | + | 0.25 | mm | mm | mm | mm | mm | mm | mm | mm | mm |
| | | | | 5 | | | | 30 OVER | + | 0.3 | mm | mm | mm | mm | mm | mm | mm | mm | mm |
| | | | | 4 | | | | ANGLE | + | 3° | mm | mm | mm | mm | mm | mm | mm | mm | mm |
| | | | | 3 | | | | | | | mm | mm | mm | mm | mm | mm | mm | mm | mm |
| | | | | 2 | | | | | | | mm | mm | mm | mm | mm | mm | mm | mm | mm |
| | | | | 1 | | | | | | | mm | mm | mm | mm | mm | mm | mm | mm | mm |

DWG. NO. SD-52207-**-17



断面D-D
SECT.D-D



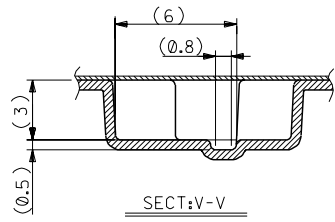
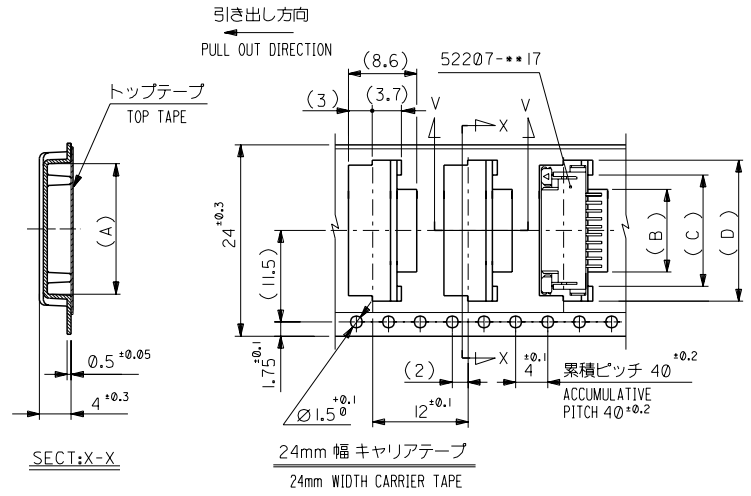
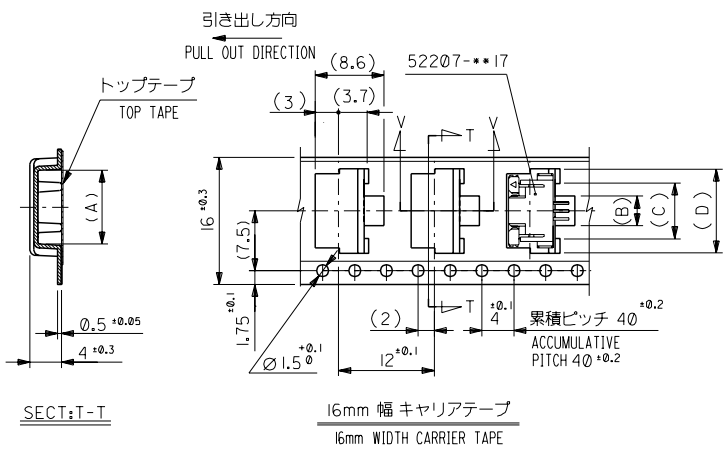
下面図
BOTTOM VIEW

DO NOT SCALE DRAWING

| | | | | | | | | | | | | | |
|----------------------------------|----------------------------------|----------------------------------|----------------------------------|---|---------|----------------------|---|--|--|---|--|-----------------------------|-------------------------------|
| EC NO. DRWN: CHK: APPR: | EC NO. DRWN: CHK: APPR: | EC NO. DRWN: CHK: APPR: | EC NO. DRWN: CHK: APPR: | EC NO. J2004-0390 DRWN: K. TOJO CHK: H. SALAB APPR: H. SALAB | REDRAWN | MATERIAL 材料 | GENERAL TOLERANCES: (UNLESS SPECIFIED) 一般公差 | SCALE —/— | DESIGN UNITS <input checked="" type="checkbox"/> mm <input type="checkbox"/> INCH | <input checked="" type="checkbox"/> THIRD ANGLE PROJECTION | DIMENSIONS: <input type="checkbox"/> mm <input type="checkbox"/> INCH <input checked="" type="checkbox"/> mm ONLY | SHT | REV |
| | | | | | | FINISH 仕上り | 10 UNDER 未満 | +0.2 | DRAWN BY & DATE K. TOJO 03/08/19 | TITLE: 1.0mm Pitch FPC Conn ZIF SMT | REVISE ON CAD ONLY | | |
| | | | | | | WIRE RANGE 適用電線範囲 | 10 OVER 以上 | 30 UNDER 未満 | +0.25 | CHECKED BY & DATE H. SALAB 03/08/19 | <input checked="" type="checkbox"/> MOLEX INCORPORATED | | |
| | | | | | | INS. RANGE 被覆外径 | 30 OVER 以上 | | +0.3 | APPROVED BY & DATE H. SALAB 03/08/19 | CAD FILENAME 52207.S09 | MATERIAL NO. 52207-**-17 | DRAWING NO. SD-52207-**-17 |
| | | | | | | ANGLE 角度 | +3° | THIS DRAWING CONTAINS INFORMATION THAT IS PROPRIETARY TO MOLEX INCORPORATED AND SHOULD NOT BE USED WITHOUT WRITTEN PERMISSION. | | | | SIZE B | |

EN-02J(097) MXJ-54

DWG. NO. SD-52207-***90



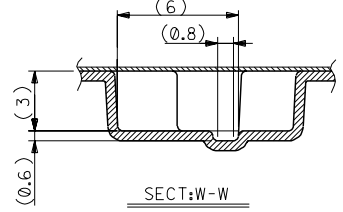
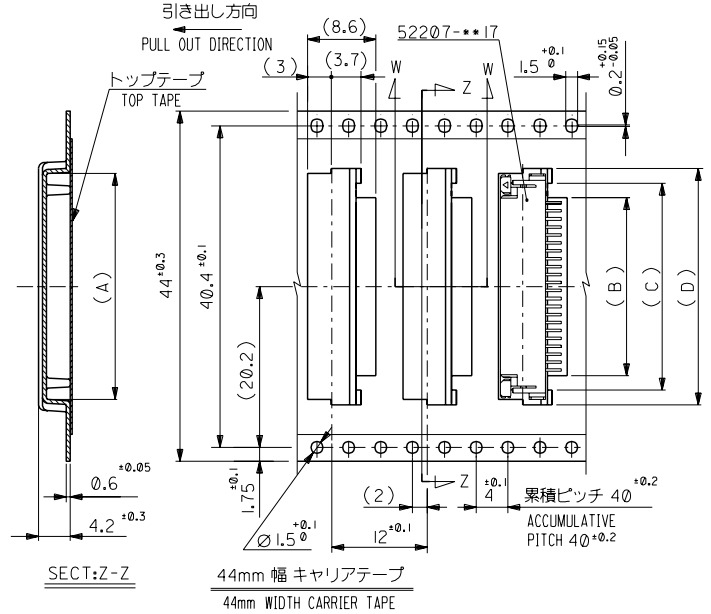
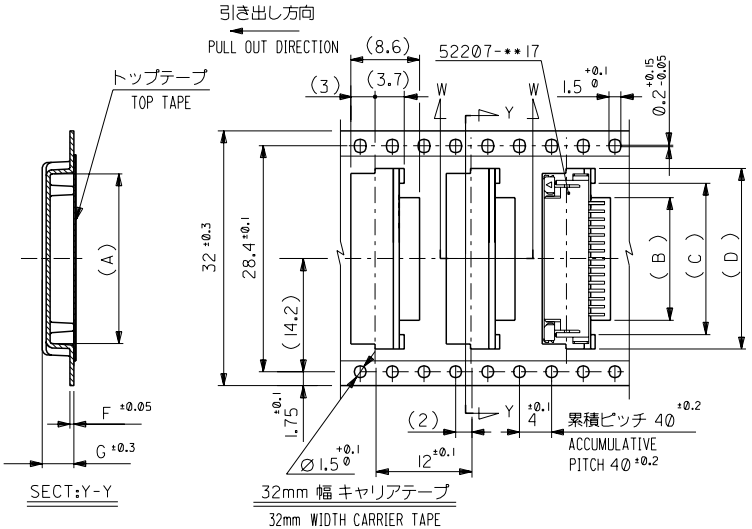
| | | | | | | | |
|--------------------------------|------|------|------|-------|------|------------|------------|
| 24 | 25.5 | 18.5 | 15 | 11.7 | 17.3 | 52207-1190 | 11 |
| | | 17.5 | 14 | 10.7 | 16.3 | -1090 | 10 |
| | | 16.5 | 13 | 9.7 | 15.3 | -0990 | 9 |
| | | 15.5 | 12 | 8.7 | 14.3 | -0890 | 8 |
| | | 14.5 | 11 | 7.7 | 13.3 | -0790 | 7 |
| | | 13.5 | 10 | 6.7 | 12.3 | -0690 | 6 |
| | | 12.5 | 9 | 5.7 | 11.3 | -0590 | 5 |
| 11.5 | 8 | 4.7 | 10.3 | -0490 | 4 | | |
| 16 | 17.5 | 10.5 | 7 | 3.7 | 9.3 | 52207-0390 | 3 |
| キャリアテープ幅 CARRIER TAPE WIDTH | E | (D) | (C) | (B) | (A) | ENG. NO. | 極数 CKT. |

| | | | | | | | |
|----------------------------|-------------------------|---------------|-------------------------|-------------|----------------------|-------------------|--|
| U | 変更 REVISED | (JC2001-045B) | MM | 00/12/10 | 材料 MATERIAL | 注記参照 SEE NOTES | モレックス MOLEX-JAPAN CO.,LTD. 日本モレックス株式会社 |
| T | 変更 REVISED | (JC60614) | MM | 96/12/16 | 仕上げ FINISH | — | REVISION ONLY ON CAD SYSTEM |
| S | 変更 REVISED | (J50055) | MM | 95/11/31 | 適用電線範囲 WIRE RANGE | — | TITLE 名称 |
| R | 変更 REVISED | (J30761) | MM | 93/11/30 | 被覆外径 INS. RANGE | — | 1.0 FPC Conn ZIF SMT With Tape Embstp Pkg |
| P | 変更 REVISED & REDRAWN | (J21168) | MM | 92/12/14 | DRAWN BY | 92/12/14 | CHK'D BY |
| 一般公差 GENERAL TOLERANCES | | 記号 LTR | 公差内容 REVISION RECORD | DR. CHK. | 日付 DATE | 尺度 SCALE | DWG. NO. SD-52207-***90 (SHEET 1 OF 3) |

THIS DRAWING CONTAINS INFORMATION THAT IS PROPRIETARY TO MOLEX/JAPAN AND SHOULD NOT BE USED WITHOUT WRITTEN PERMISSION
 本図面は日本モレックス(株)の所有する権利を含むもので 当社の許可なく複製を禁止する。
 EN-01C(032)MXJ-32

DWG. NO. SD-52207-**-90

DIMENSIONS IN METRIC DO NOT SCALE DRAWING

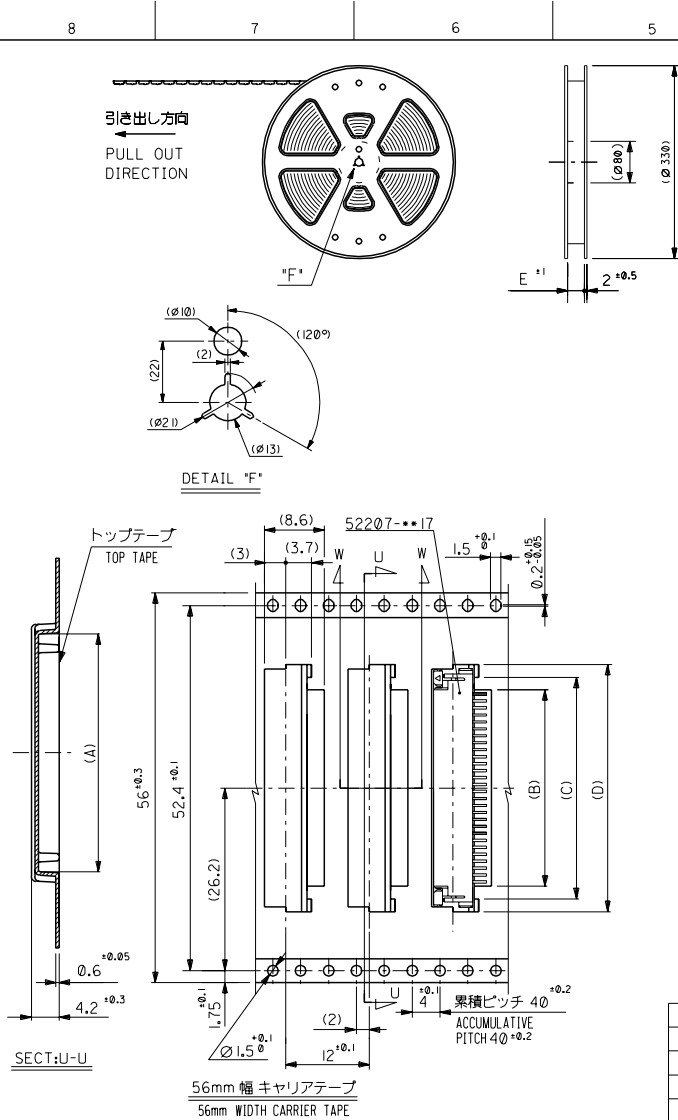


| | | | | | | | | | |
|--------------------------------|------|-----|-----|------|-----|------|-------|------------|------------|
| 32 | 33.5 | 4.0 | 0.5 | 23.5 | 20 | 16.7 | 22.35 | 52207-1690 | 16 |
| | | 4.2 | 0.6 | 22.5 | 19 | 15.7 | 21.35 | 4-1590 | 15 |
| | | 4.2 | 0.6 | 21.5 | 18 | 14.7 | 20.35 | -1490 | 14 |
| | | 4.2 | 0.6 | 20.5 | 17 | 13.7 | 19.35 | 7-1390 | 13 |
| | | 4.2 | 0.6 | 19.5 | 16 | 12.7 | 18.35 | 52207-1290 | 12 |
| キャリアテープ幅 CARRIER TAPE WIDTH | E | (G) | (F) | (D) | (C) | (B) | (A) | ENG. NO. | 極数 CKT. |

| | | | | | | | |
|--------------------------------|------|------|-------|------------|-------|------------|------------|
| 44 | 45.5 | 34.5 | 31 | 27.7 | 33.35 | 52207-2790 | 27 |
| | | 33.5 | 30 | 26.7 | 32.35 | 4-2690 | 26 |
| | | 32.5 | 29 | 25.7 | 31.35 | -2590 | 25 |
| | | 31.5 | 28 | 24.7 | 30.35 | -2490 | 24 |
| | | 30.5 | 27 | 23.7 | 29.35 | -2390 | 23 |
| | | 29.5 | 26 | 22.7 | 28.35 | -2290 | 22 |
| | | 28.5 | 25 | 21.7 | 27.35 | -2190 | 21 |
| | | 27.5 | 24 | 20.7 | 26.35 | -2090 | 20 |
| | | 26.5 | 23 | 19.7 | 25.35 | -1990 | 19 |
| 25.5 | 22 | 18.7 | 24.35 | 7-1890 | 18 | | |
| 24.5 | 21 | 17.7 | 23.35 | 52207-1790 | 17 | | |
| キャリアテープ幅 CARRIER TAPE WIDTH | E | (D) | (C) | (B) | (A) | ENG. NO. | 極数 CKT. |

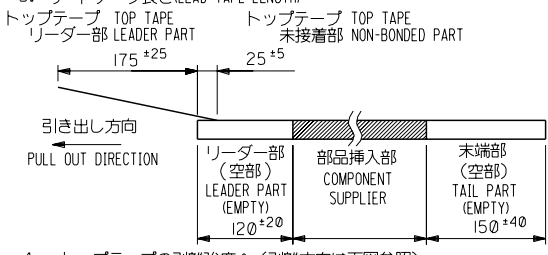
| | | | | | | | |
|--|--|---|--|--|--|--|--|
| 角度 ANGLE 30°以上 OVER 10°以上 未満 OVER 30 UNDER 10°未満 UNDER 一般公差 GENERAL TOLERANCES | | 変更 REVISION 訂正 CORRECTIVE 追加 ADDITIONAL 削除 DELETION 変更内容 REVISION RECORD 記号 LTR 承認者 CHK | | 材料 MATERIAL 注記参照 SEE NOTES 仕上げ FINISH 適用電線範囲 WIRE RANGE 被覆外径 INS. RANGE DRAWN BY Y.MIZUNO APP'D BY M.FUKUSHIMA | | MOLEX JAPAN CO., LTD. 日本モレックス株式会社 REVISE ONLY ON CAD SYSTEM TITLE 名称 I.0 FPC Conn ZIF SMT With Tape Embstp Pkg DWG. NO. SD-52207-**-90 (SHEET 2 OF 3) | |
|--|--|---|--|--|--|--|--|

THIS DRAWING CONTAINS INFORMATION THAT IS PROPRIETARY TO MOLEX (JAPAN) AND SHOULD NOT BE USED WITHOUT WRITTEN PERMISSION
 本図面は日本モレックス(株)の所有する情報を含むもので、当社の許可なく複製を禁止する。
 EN-01C(032)MXJ-32

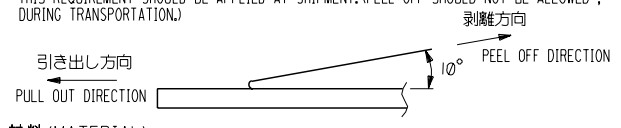


注記

- 製品番号 52207-***17 の梱包状態はアクチュエータがロックした状態とする。詳細寸法については図面 SD-52207-***17 を参照下さい。
IN THE PACKAGE, ACTUATOR OF PART NO.52207-***17 SHOULD BE LOCKED RE DETAILED DIMENSIONS, SEE SD-52207-***17
- 梱包数量：1000個/リール
NUMBER OF CONNECTORS: 1000PCS/REEL
- リードテープ長さ(LEAD TAPE LENGTH)



- トップテープの剥離強度：(剥離方向は下図参照) 60gf MAX. 尚、本規格値は、出荷時に適用。(但し、輸送時に剥離が発生しない事。) PEELING OFF FORCE OF TOP TAPE: 60gf MAX.(PEELING DIRECTION AS SHOWN IN FOLLOWING FIG.) THIS REQUIREMENT SHOULD BE APPLIED AT SHIPMENT.(PEEL OFF SHOULD NOT BE ALLOWED, DURING TRANSPORTATION.)



5. 材料 (MATERIAL)

キャリアテープ (CARRIER TAPE) : ポリプロピレン (POLYPROPYLENE)
 トップテープ (TOPTAPE) : PET, PE, PEF
 リール (REEL) : ポリスチレン (PS) <リサイクル材を含む>
 POLYSTYREN (PS) <RECYCLE MATERIAL CONTAINED>

| | | | | | | | | |
|--------------------------------|------|------|-----|------|-------|------------|----------|------------|
| 56 | 57.5 | 41.5 | 38 | 34.7 | 40.35 | 52207-3490 | 34 | |
| | | 37.5 | 34 | 30.7 | 36.35 | 52207-3090 | 30 | |
| | | 36.5 | 33 | 29.7 | 35.35 | 52207-2990 | 29 | |
| | | 35.5 | 32 | 28.7 | 34.35 | 52207-2890 | 28 | |
| キャリアテープ幅 CARRIER TAPE WIDTH | | E | (D) | (C) | (B) | (A) | ENG. NO. | 極数 CKT. |

| | | | | | | | |
|----------------------------|--|-----------------------------|-------------------------|------------|----------------------|-------------------|--|
| U | | 変更 REVISED | (JC2001-045B) | 100/12/10 | 材料 MATERIAL | 注記参照 SEE NOTES | molex MOLEX-JAPAN CO.,LTD. 日本モレックス株式会社 |
| T | | 変更 REVISED | (JC60614) | 96/12/16 | 仕上げ FINISH | — | |
| S | | 変更 REVISED | (J50055) | 95/1/31 | 適用電線範囲 WIRE RANGE | — | REVISE ONLY ON CAD SYSTEM |
| R | | 変更 REVISED | (J30761) | 93/7/28 | 被覆外径 INS. RANGE | — | TITLE 名称 |
| P | | 変更、再描画 REVISED & REDRAWN | (J21168) | 92/12/14 | DRAWN BY | CHK'D BY | 1.0 FPC Conn ZIF SMT With Tape Embstp Pkg |
| 一般公差 GENERAL TOLERANCES | | 記号 LTR | 公差内容 REVISION RECORD | 日付 DATE | Y.MIZUNO | S.KUNISHI | DWG. NO. SD-52207-***90 (SHEET 3 OF 3) |

THIS DRAWING CONTAINS PROPRIETARY INFORMATION THAT IS PROPRIETARY TO MOLEX/JAPAN AND SHOULD NOT BE USED WITHOUT WRITTEN PERMISSION
 本図面は日本モレックス(株)の所有する情報を含むもので、当社の許可なく複製を禁止する。
 EN-01C(032)MXJ-32