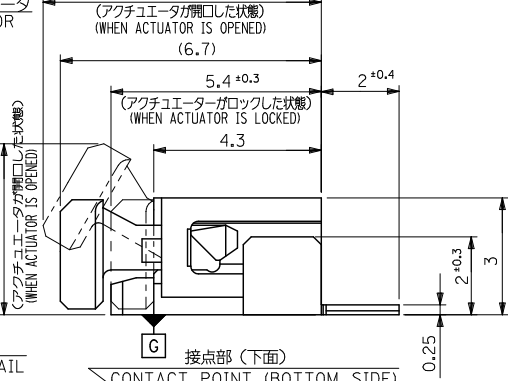
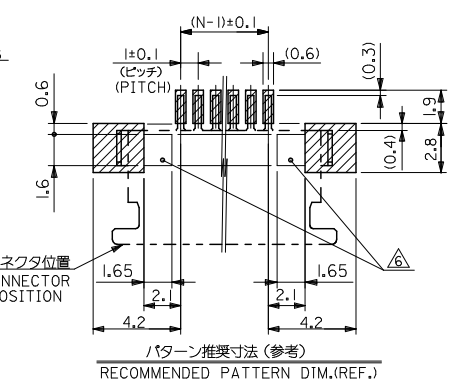
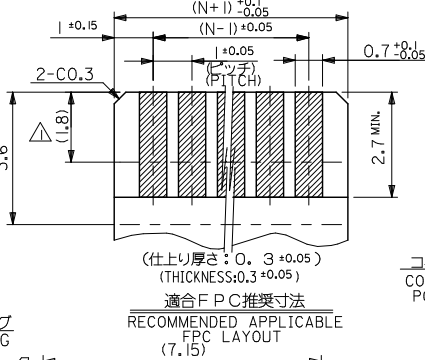
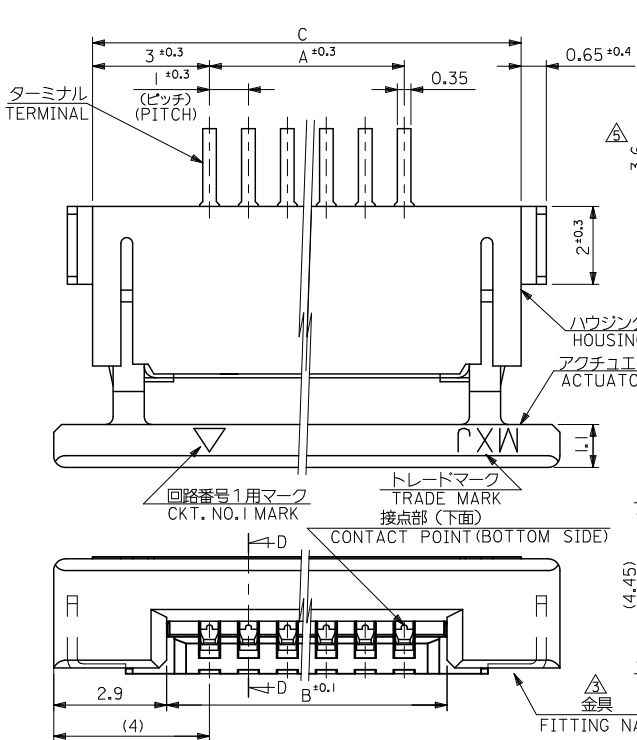


10 9 8 7 6 5 4 3 2 1

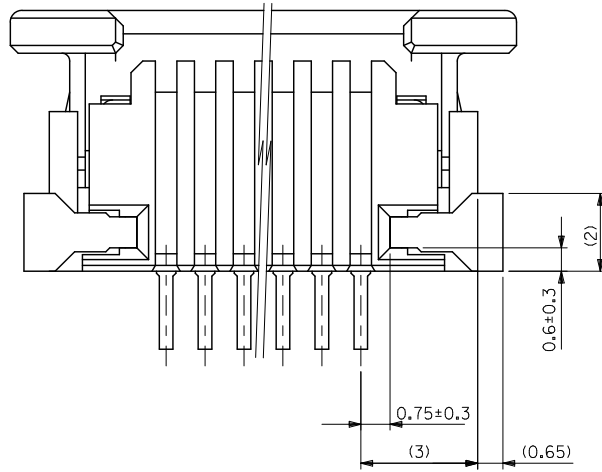


| | | | | |
|----|------|----|------------|---------|
| 35 | 31.2 | 29 | 52271-3017 | 30 |
| 31 | 27.2 | 25 | -2617 | 26 |
| 29 | 25.2 | 23 | -2417 | 24 |
| 28 | 24.2 | 22 | -2317 | 23 |
| 27 | 24.2 | 21 | -2217 | 22 |
| 26 | 22.2 | 20 | -2117 | 21 |
| 24 | 20.2 | 18 | -1917 | 19 |
| 23 | 19.2 | 17 | -1817 | 18 |
| 22 | 18.2 | 16 | -1717 | 17 |
| 21 | 17.2 | 15 | -1617 | 16 |
| 20 | 16.2 | 14 | -1517 | 15 |
| 19 | 15.2 | 13 | -1417 | 14 |
| 18 | 14.2 | 12 | -1317 | 13 |
| 17 | 13.2 | 11 | -1217 | 12 |
| 16 | 12.2 | 10 | -1117 | 11 |
| 15 | 11.2 | 9 | -1017 | 10 |
| 14 | 10.2 | 8 | -0917 | 9 |
| 13 | 9.2 | 7 | -0817 | 8 |
| 11 | 7.2 | 5 | -0617 | 6 |
| 10 | 6.2 | 4 | -0517 | 5 |
| 9 | 5.2 | 3 | 52271-0417 | 4 |
| C | B | A | ENG. NO. | 種数 CKT. |

- 注記 NOTES**
- △ 接点部までの嵌合長さ。 LENGTH TO CONTACT POINT.
 - 2. 使用材料 MATERIAL
 - ハウジング : 46ナイロン, UL94V-0
 - アクチュエータ : PPS, UL94V-0
 - ターミナル : リン青銅 (t=0.25)
 - メッキ : Sn-Pb (9:1), 下地Cu
 - PLATING : Sn-Pb(9:1), Cu(UNDER PLATING)
 - 金具 : 銅合金 (t=0.25)
 - FITTING NAIL : COPPER ALLOY (t=0.25)
 - メッキ : Sn-Pb(9:1), Cu(UNDER PLATING)
 - △ パターンはくり止め用金具。 FITTING NAIL FOR PREVENTION OF PEELING OF P.C.B. PATTERN.
 - 4. エンボスター梱包時は、アクチュエータがロックした状態とする。 WHEN CONNECTOR IS SHIPPED, ACTUATOR SHOULD BE LOCKED.

| | | | | | | | |
|--|---------------------------------------|--|----------------------------|--|--|------------------------|------------------------|
| REVISED EC NO: J2011-0849 C DRWNAISHII CHKDKAKAHASHI APPR:KMORI IKAWA 2011/02/03 2011/02/03 2011/02/22 | GENERAL TOLERANCES (UNLESS SPECIFIED) | | DIMENSION STYLE MM ONLY | | SCALE --- | DESIGN UNITS METRIC | THIRD ANGLE PROJECTION |
| | 10 UNDER | ±0.2 | DRAWN BY TNIITSU | DATE 1996/10/15 | TITLE 1.0 FPC CONN ZIF SMT (BOTTOM CONTACT) | | |
| | 10 OVER 30 UNDER | ±0.25 | CHECKED BY MFUKUSHIMA | DATE 1997/07/14 | MOLEX INCORPORATED | | |
| | 30 OVER | ±0.3 | APPROVED BY MMORISAWMA | DATE 2011/02/22 | DOCUMENT NO. SD-52271-042 | SHEET NO. 1 OF 2 | |
| ANGULAR ±3° | | DRAFT WHERE APPLICABLE MUST REMAIN WITHIN DIMENSIONS | | SIZE A3 THIS DRAWING CONTAINS INFORMATION THAT IS PROPRIETARY TO MOLEX INCORPORATED AND SHOULD NOT BE USED WITHOUT WRITTEN PERMISSION | | | |

10 9 8 7 6 5 4 3 2 1

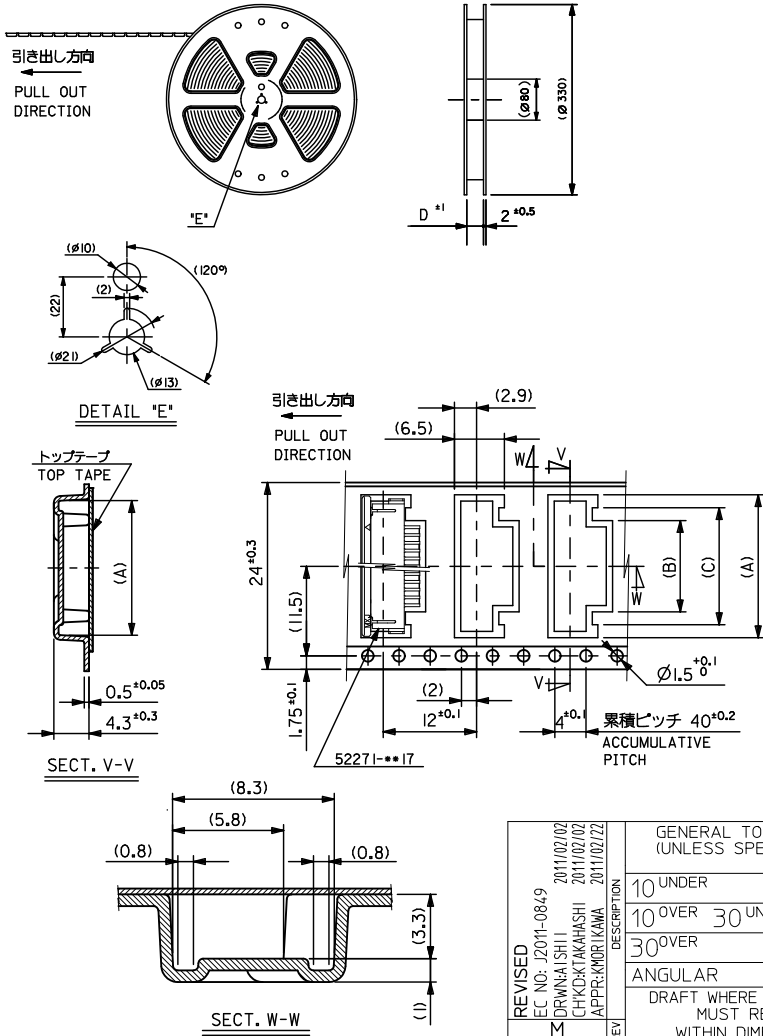


下面図

| | | | | | | |
|---|---------------------------------------|--|----------------------------|---|--|------------------------|
| REVISED EC NO: J2011-0849 C DRAWN BY: DRWNAISHII 2011/02/03 CHYKDKTAKAHASHI 2011/02/03 APPR: KMORI KAWA 2011/02/22 REV: | GENERAL TOLERANCES (UNLESS SPECIFIED) | | DIMENSION STYLE MM ONLY | SCALE --- | DESIGN UNITS METRIC | THIRD ANGLE PROJECTION |
| | 10 UNDER | ±0.2 | DRAWN BY TNIITSU | DATE 1996/10/15 | TITLE 1.0 FPC CONN ZIF SMT (BOTTOM CONTACT) | |
| | 10 OVER 30 UNDER | ±0.25 | CHECKED BY MFUKUSHIMA | DATE 1997/07/14 | APPROVED BY MORIUSAWA 2011/02/22 | |
| | 30 OVER | ±0.3 | MATERIAL NO. SEE CHART | | DOCUMENT NO. SD-52271-042 | SHEET NO. 2 OF 2 |
| ANGULAR ±3° | | DRAFT WHERE APPLICABLE MUST REMAIN WITHIN DIMENSIONS | | MOLEX INCORPORATED THIS DRAWING CONTAINS INFORMATION THAT IS PROPRIETARY TO MOLEX INCORPORATED AND SHOULD NOT BE USED WITHOUT WRITTEN PERMISSION | | |

ib_frame_A3_J_ME_S
Rev. E 2006/04/15

9 8 7 6 5 4 3 2 1 EN-02JA(021)



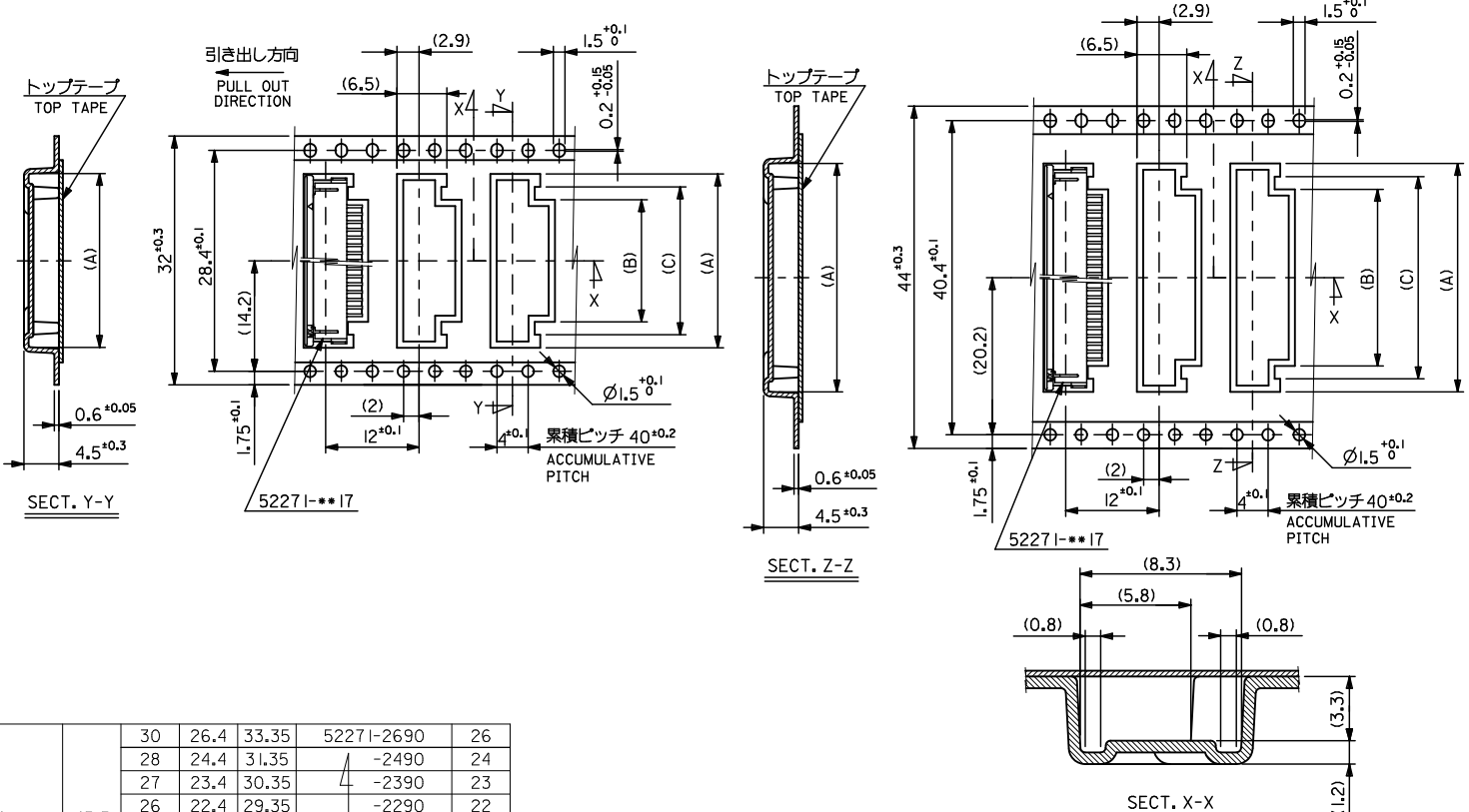
NOTES

- 製品番号 52271-043 の梱包状態はアクチュエータがロックした状態とする。
 詳細寸法については 図面 SD-52271-043 を参照下さい。
 IN THE PACKAGE, ACTUATOR OF PART NO. 52271-043 SHOULD BE LOCKED
 RE DETAILED DIMENSIONS, SEE SD-52271-043
- 梱包数量: 1000個/リール
 NUMBER OF CONNECTORS: 1000 PCS/REEL
- リードテープ長さ LEAD TAPE LENGTH
 トップテープ リーダー部 TOP TAPE LEADER PART 175 ±25
 トップテープ 未巻部 TOP TAPE NON-WOUND PART 25 ±5
 リーダー部 (空部) LEADER PART (EMPTY) 120 ±20
 部品挿入部 COMPONENT SUPPLIER
 未巻部 (空部) TAIL PART (EMPTY) 150 ±40
- トップテープの剥離強度: 60gf MAX. (剥離方向は下図参照)
 尚、本規格値は、出荷時に適用。(但し、輸送時に剥離が発生しない事。)
 PEELING OFF FORCE OF TOP TAPE: 60gf MAX.
 (PEELING DIRECTION AS SHOWN IN FOLLOWING FIG.)
 THIS REQUIREMENT SHOULD BE APPLIED AT SHIPMENT
 PEEL OFF SHOULD NOT BE ALLOWED, DURING TRANSPORTATION
 引き出し方向 PULL OUT DIRECTION
 剥離方向 PEEL OFF DIRECTION 10°
- 材料 (MATERIAL)
 キャリアテープ (CARRIER TAPE): ポリプロピレン (POLYPROPYLENE)
 トップテープ (TOP TAPE): PET, PE, PEF
 リール (REEL): ポリスチレン (PS) <リサイクル材を含む>
 POLYSTYRENE (PS) <RECYCLE MATERIAL CONTAINED>

| | | | | | | |
|----|------|--------------------------------|------|------|------------|-----|
| 24 | 25.5 | 15 | 11.4 | 18.3 | 52271-1190 | 11 |
| | | 14 | 10.4 | 17.3 | -1090 | 10 |
| | | 13 | 9.4 | 16.3 | -0990 | 9 |
| | | 12 | 8.4 | 15.3 | -0890 | 8 |
| | | 10 | 6.4 | 13.3 | -0690 | 6 |
| | | 9 | 5.4 | 12.3 | -0590 | 5 |
| | | 8 | 4.4 | 11.3 | 52271-0490 | 4 |
| | | キャリアテープ幅 CARRIER TAPE WIDTH | D | (C) | (B) | (A) |

| | | | | | | | |
|---|---------------------------------------|---|----------------------------|--------------|-------------------------------------|------------------------|------------------------|
| REVISED EC NO: J2011-0849 DRAWN BY: SHII CHYOKI TAKAHASHI 2011/02/02 APPR: MORIKAWA 2011/02/22 M | GENERAL TOLERANCES (UNLESS SPECIFIED) | | DIMENSION STYLE MM ONLY | | SCALE | DESIGN UNITS METRIC | THIRD ANGLE PROJECTION |
| | 10 UNDER | ±--- | DRAWN BY | DATE | TITLE | | |
| | 10 OVER 30 UNDER | ±--- | STADOKORO | 1988/09/29 | EMBOSSED TAPE PACKAGE FOR 52271-043 | | |
| | 30 OVER | ±--- | CHECKED BY | DATE | MOLEX INCORPORATED | | |
| | ANGULAR | ±--- ° | SKUNISHI | 2000/12/20 | MATERIAL NO. SD-52271-043 | | |
| DRAFT WHERE APPLICABLE MUST REMAIN WITHIN DIMENSIONS | | APPROVED BY | DATE | DOCUMENT NO. | | SHEET NO. | |
| | | MPHOKUSAWAMA | 2000/02/28 | SEE CHART | | 1 OF 3 | |
| | | THIS DRAWING CONTAINS INFORMATION THAT IS PROPRIETARY TO MOLEX INCORPORATED AND SHOULD NOT BE USED WITHOUT WRITTEN PERMISSION | | | | | |

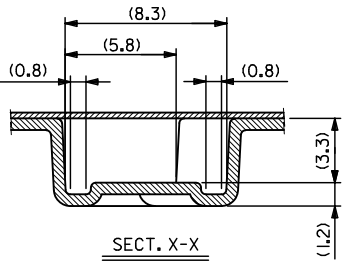
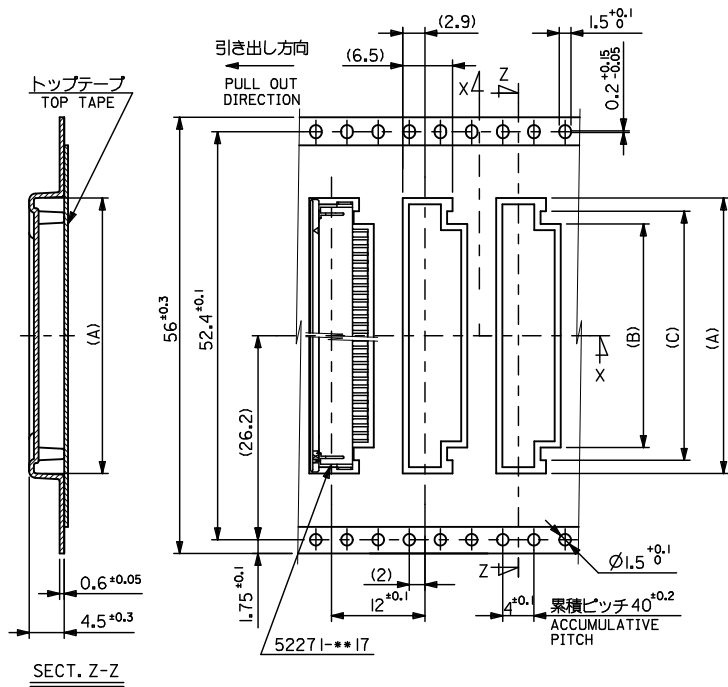
10 9 8 7 6 5 4 3 2 1



| | | | | | | |
|-----|------|----|------|-------|--------------|-----------|
| 44 | 45.5 | 30 | 26.4 | 33.35 | 52271-2690 | 26 |
| | | 28 | 24.4 | 31.35 | -2490 | 24 |
| | | 27 | 23.4 | 30.35 | -2390 | 23 |
| | | 26 | 22.4 | 29.35 | -2290 | 22 |
| | | 25 | 21.4 | 28.35 | -2190 | 21 |
| | | 23 | 19.4 | 26.35 | -1990 | 19 |
| | | 22 | 18.4 | 25.35 | -1890 | 18 |
| | | 21 | 17.4 | 24.35 | -1790 | 17 |
| | | 20 | 16.4 | 23.35 | -1690 | 16 |
| | | 19 | 15.4 | 22.35 | -1590 | 15 |
| | | 32 | 33.5 | 18 | 14.4 | 21.35 |
| 17 | 13.4 | | | 20.35 | -1390 | 13 |
| 16 | 12.4 | | | 19.35 | 52271-1290 | 12 |
| (C) | (B) | | | (A) | MATERIAL NO. | 種番 Eck |
| D | (C) | | | (A) | MATERIAL NO. | 種番 Eck |

| | | | | | | | |
|---|---------------------------------------|--|----------------------------|------------------------------|--|---|------------------------|
| REVISED EC NO: J2011-0849 DRAWN BY: CHYKOKI TAKAHASHI APPR: MORIKAWA DATE: 2011/02/02 2011/02/02 2011/02/22 | GENERAL TOLERANCES (UNLESS SPECIFIED) | | DIMENSION STYLE MM ONLY | | SCALE --- | DESIGN UNITS METRIC | THIRD ANGLE PROJECTION |
| | 10 UNDER | ± --- | DRAWN BY STADOKORO | DATE 1988/09/29 | TITLE EMBOSSED TAPE PACKAGE FOR 52271-**17 | | |
| | 10 OVER 30 UNDER | ± --- | CHECKED BY SKUNISHI | DATE 2000/12/20 | APPROVED BY MOTOYUKI SAWAMA DATE 2000/03/28 | | |
| | 30 OVER | ± --- | MATERIAL NO. SEE CHART | | MOLEX INCORPORATED | | SHEET NO. 2 OF 3 |
| ANGULAR ± --- ° | | DRAFT WHERE APPLICABLE MUST REMAIN WITHIN DIMENSIONS | | DOCUMENT NO. SD-52271-043 | | THIS DRAWING CONTAINS INFORMATION THAT IS PROPRIETARY TO MOLEX INCORPORATED AND SHOULD NOT BE USED WITHOUT WRITTEN PERMISSION | |

10 9 8 7 6 5 4 3 2 1



| | | | | | | |
|---|------|--------------------|------------------------|--|---------------------------|---------------------|
| 56 | 57.5 | 34 | 30.4 | 37.35 | 52271-3090 | 30 |
| キャリアテープ幅 CARRIER TAPE WIDTH | D | (C) | (B) | (A) | MATERIAL NO. | 種数 CKT. |
| DIMENSION STYLE MM ONLY | | SCALE --- | DESIGN UNITS METRIC | | THIRD ANGLE PROJECTION | |
| DRAWN BY STADOKORO | | DATE 1988/09/29 | | TITLE EMBOSSD TAPE PAKAGE FOR 52271-**17 | | |
| CHECKED BY SKUNISHI | | DATE 2000/12/20 | | APPROVED BY MORIKAWA | | |
| APPROVED BY MORIKAWA | | DATE 2000/02/28 | | MOLEX INCORPORATED | | |
| MATERIAL NO. | | SEE CHART | | DOCUMENT NO. SD-52271-043 | | SHEET NO. 3 OF 3 |
| SIZE A3 THIS DRAWING CONTAINS INFORMATION THAT IS PROPRIETARY TO MOLEX INCORPORATED AND SHOULD NOT BE USED WITHOUT WRITTEN PERMISSION | | | | | | |

| | | |
|-------------------|-------------|--|
| REVISED | DESCRIPTION | GENERAL TOLERANCES (UNLESS SPECIFIED) |
| EC NO: J2011-0849 | 2011/02/03 | 10 UNDER ± --- |
| DRWNAISHI | 2011/02/03 | 10 OVER 30 UNDER ± --- |
| CHKDKTAKAHASHI | 2011/02/03 | 30 OVER ± --- |
| APPR:KMORI KAWA | 2011/02/22 | ANGULAR ± --- ° |
| | | DRAFT WHERE APPLICABLE MUST REMAIN WITHIN DIMENSIONS |

tb_frame_A3_J_ME_S
Rev. E 2006/04/15

EN-02JA(021)