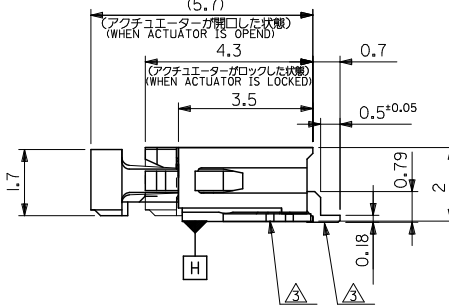
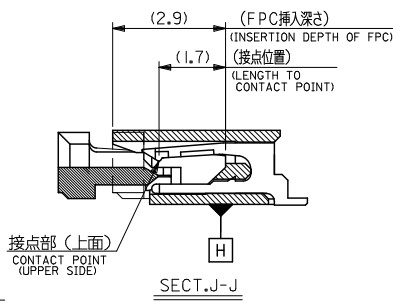
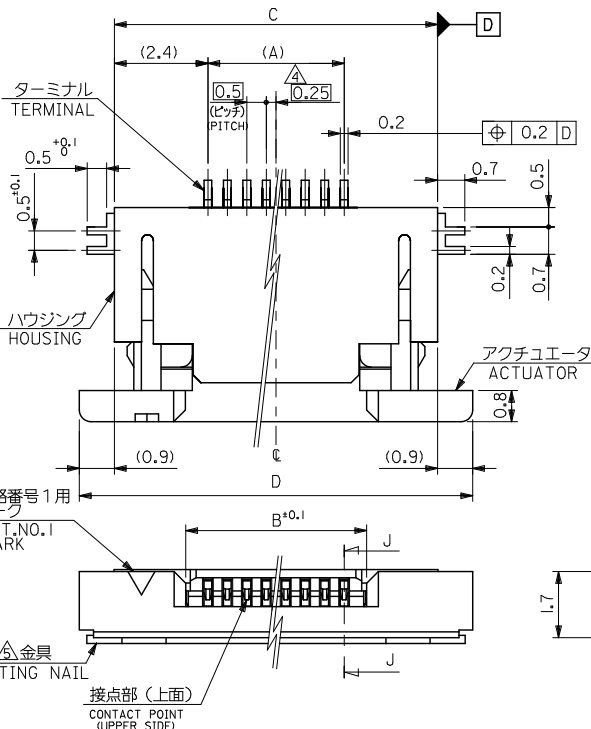


10 9 8 7 6 5 4 3 2 1



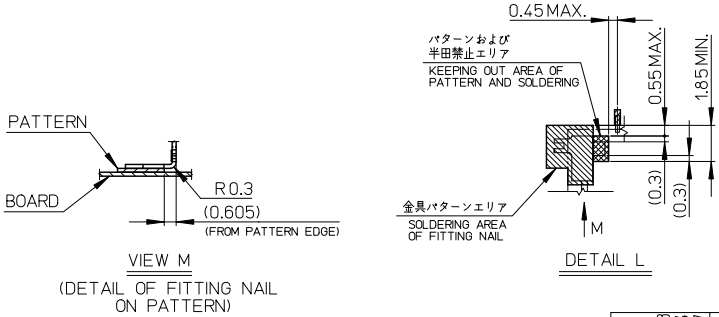
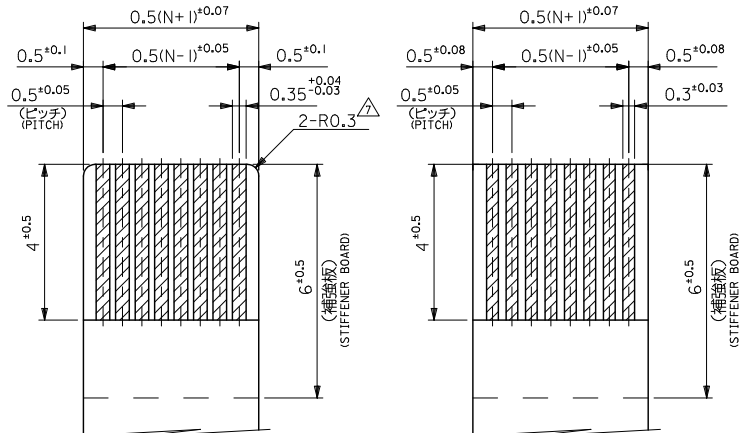
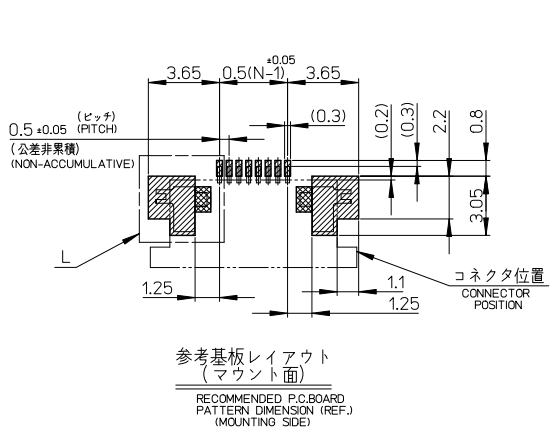
注記 NOTES

1. 使用材料 MATERIAL  
 ハウジング HOUSING : ポリアミド46, ガラス充填, UL94V-0 (白)  
 アクチュエータ ACTUATOR : ポリフェニレンサルファイド, ガラス充填, UL94V-0 (黒)  
 ターミナル TERMINAL : リン青銅, ニッケル下地鍍ピスマスメッキ (t=0.2)  
 金具 FITTING NAIL : リン青銅, ニッケル下地鍍ピスマスメッキ (t=0.2)
2. エンボステープ梱包時は、アクチュエータがロックした状態とする。  
 IN THE PACKAGE, ACTUATOR OF PART NO. 52745-\*\*19 SHOULD BE LOCKED.  
 ソルダータール半田付け面のスレ量、及び金具半田付け面のスレ量は、基準面 H に対し上方向 0.1 MAX., 下方向 0.15 MAX. とする。  
 MISALIGNMENT OF SOLDER TAILS AND FITTING NAILS FROM H UPPER DIRECTION: 0.1 MAX., LOWER DIRECTION: 0.15 MAX.
- △ 偶数極に適用。  
 APPLY FOR EVEN CIRCUIT.
- △ パターンはくり止め用金具  
 FITTING NAIL FOR PREVENTION OF PEELING OF P.C.B. PATTERN.
6. 本製品は 52745-\*\*17 の鉛フリー品である。  
 THIS PRODUCT IS LEAD FREE OF 52745-\*\*17
- △ RO. 3は、FPCの導体部にかからないこと。  
 RO.3 MUST NOT BE OVERLAPPED TO PATTERN OF FPC.

|      |      |       |     |                   |              |            |
|------|------|-------|-----|-------------------|--------------|------------|
| 16.1 | 14.3 | 10.65 | 9.5 | 52745-2096        | 52745-2019   | 20         |
| 15.6 | 13.8 | 10.15 | 9.0 | -1996             | -1919        | 19         |
| 15.1 | 13.3 | 9.65  | 8.5 | -1896             | -1819        | 18         |
| 14.6 | 12.8 | 9.15  | 8.0 | -1796             | -1719        | 17         |
| 14.1 | 12.3 | 8.65  | 7.5 | -1696             | -1619        | 16         |
| 13.6 | 11.8 | 8.15  | 7.0 | -1596             | -1519        | 15         |
| 13.1 | 11.3 | 7.65  | 6.5 | -1496             | -1419        | 14         |
| 12.6 | 10.8 | 7.15  | 6.0 | -1396             | -1319        | 13         |
| 12.1 | 10.3 | 6.65  | 5.5 | -1296             | -1219        | 12         |
| 11.6 | 9.8  | 6.15  | 5.0 | -1196             | -1119        | 11         |
| 11.1 | 9.3  | 5.65  | 4.5 | -1096             | -1019        | 10         |
| 10.6 | 8.8  | 5.15  | 4.0 | -0996             | -0919        | 9          |
| 10.1 | 8.3  | 4.65  | 3.5 | -0896             | -0819        | 8          |
| 9.6  | 7.8  | 4.15  | 3.0 | -0796             | -0719        | 7          |
| 9.1  | 7.3  | 3.65  | 2.5 | -0696             | -0619        | 6          |
| 8.1  | 6.3  | 2.65  | 1.5 | 52745-0496        | 52745-0419   | 4          |
| D    | C    | B     | (A) | EMBOSSED TAPE     | MATERIAL NO. | 極数 CIRCUIT |
|      |      |       |     | ORDER No. 9-ター-88 | 52745-**19   | MODEL NO.  |

|   |                                       |                           |   |                   |   |                        |
|---|---------------------------------------|---------------------------|---|-------------------|---|------------------------|
| REVISED<br>EC NO: J2011-0806<br>DRAWN: JEB ISAWA 2010/12/13<br>CHKD: TAKAHASHI 2010/12/14<br>APPR: KMORI IKAWA 2010/12/17 | GENERAL TOLERANCES (UNLESS SPECIFIED) |                           | DIMENSION STYLE<br>MM ONLY  | SCALE<br>---      | DESIGN UNITS<br>METRIC                                    | THIRD ANGLE PROJECTION |
|   | 10 UNDER                              | ±0.2                      | DRAWN BY<br>T. UENO   | DATE<br>'04/01/28 | TITLE<br>0.5 FPC CONN ASSY ZIF<br>UPR CONT<br>-LEAD FREE- |                        |
|   | 10 OVER 30 UNDER                      | ±0.25                     | CHECKED BY<br>M. SASAO  | DATE<br>'04/01/28 | MOLEX INCORPORATED  |                        |
|   | 30 OVER                               | ±0.3                      | APPROVED BY<br>M. SASAO   | DATE<br>'04/01/28 | DOCUMENT NO.<br>SD-52745-048                              | SHEET NO.<br>1 OF 2    |
| DESCRIPTION<br>DRAFT WHERE APPLICABLE<br>MUST REMAIN<br>WITHIN DIMENSIONS   | ANGULAR ±3°                           | MATERIAL NO.<br>SEE TABLE | THIS DRAWING CONTAINS INFORMATION THAT IS PROPRIETARY TO MOLEX INCORPORATED AND SHOULD NOT BE USED WITHOUT WRITTEN PERMISSION |                   |   |                        |

10 9 8 7 6 5 4 3 2 1



適合FPC推奨寸法  
APPLICABLE FPC  
RECOMMENDED DIMENSION  
(仕上がり厚さ: 0.3<sup>+0.03</sup>)  
(THICKNESS: 0.3<sup>+0.03</sup>)

適合FFC推奨寸法  
APPLICABLE FFC  
RECOMMENDED DIMENSION  
(仕上がり厚さ: 0.3<sup>+0.03</sup>)  
(THICKNESS: 0.3<sup>+0.03</sup>)

FPCについて:  
打抜き方向は導体側から補強板側を推奨致します。  
補強フィルム材質はポリイミドを推奨致します。  
接着剤は熱硬化接着剤を推奨致します。

ABOUT FPC:  
RECOMMENDED PUNCHER DIRECTION: FROM CONDUCTOR SIDE TO STIFFENER BOARD SIDE.  
RECOMMENDED MATERIAL:  
STIFFENER FILM: POLYIMIDE  
BONDING AGENT: THERMOSETTING BONDING AGENT

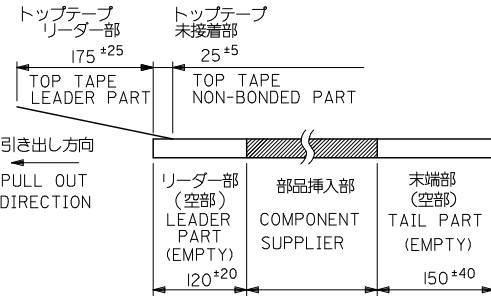
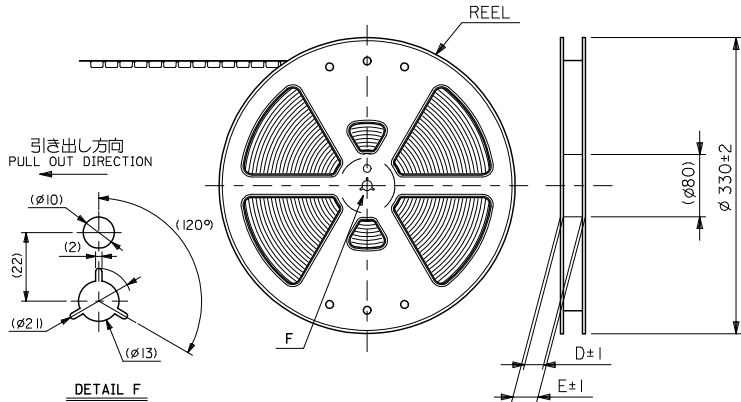
52745-\*\*19 MODEL NO.

|  |                                       |  |                             |   |   |                        |
|--|---------------------------------------|--|-----------------------------|---|---|------------------------|
| REVISED<br>EC NO: J2011-0806<br>DRAWN: JEB ISAWA 2010/12/13<br>CHKD: TAKAHASHI 2010/12/14<br>APPR: KMORI KAWA 2010/12/17 | GENERAL TOLERANCES (UNLESS SPECIFIED) |  | DIMENSION STYLE<br>MM ONLY  | SCALE<br>---  | DESIGN UNITS<br>METRIC                                    | THIRD ANGLE PROJECTION |
|  | 10 UNDER                              | ±0.2   | DRAWN BY<br>T. UENO         | DATE<br>'04/01/28   | TITLE<br>0.5 FPC CONN ASSY ZIF<br>UPR CONT<br>-LEAD FREE- |                        |
|  | 10 OVER 30 UNDER                      | ±0.25  | CHECKED BY<br>M. SASAO      | DATE<br>'04/01/28   | MOLEX INCORPORATED  |                        |
|  | 30 OVER                               | ±0.3   | APPROVED BY<br>M. SASAO     | DATE<br>'04/01/28   | DOCUMENT NO.<br>SD-52745-048                              | SHEET NO.<br>2 OF 2    |
|  | ANGULAR ±3 °                          | DRAFT WHERE APPLICABLE MUST REMAIN WITH DIMENSIONS | MATERIAL NO.<br>SEE SHEET 1 | THIS DRAWING CONTAINS INFORMATION THAT IS PROPRIETARY TO MOLEX INCORPORATED AND SHOULD NOT BE USED WITHOUT WRITTEN PERMISSION |   |                        |

10 9 8 7 6 5 4 3 2 1

注記 NOTES

- 製品番号 52745-\*\*\*19 の梱包状態はアクチュエータがロックした状態とする。  
 詳細寸法については図面 SD-52745-048 を参照下さい。  
 IN THE PACKAGE,ACTUATOR OF PART NO.52745-\*\*\*19 SHOULD BE LOCKED  
 RE DETAILED DIMENSIONS,SEE SD-52745-048.
- 梱包数量：1000個/リール  
 NUMBER OF CONNECTORS:1000PCS/REEL
- リードテープ長さ LEAD TAPE LENGTH

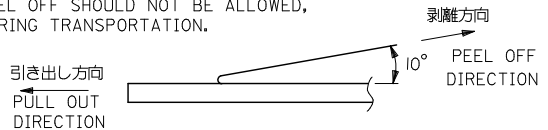


5. 材料  
 キャリアテープ:ポリプロピレン (PP)  
 トップテープ:PET, PE, PEF  
 リール:ポリスチレン (PS) <リサイクル材を含む>  
 MATERIAL CARRIER TAPE:POLYPROPYLENE  
 TOP TAPE:PET,PE,PEF  
 REEL:POLYSTYRENE(PS)  
 <RECYCLE MATERIAL CONTAINED>

6. 本製品は 52745-\*\*\*90 の鉛フリー品である。  
 THIS PRODUCT IS LEAD FREE OF 52745-\*\*\*90

7. 本製品は乾燥剤入り、ハイバリア梱包仕様である。  
 THIS PRODUCT IS HIGH BARRIER PACKAGE WITH DESICCANT.

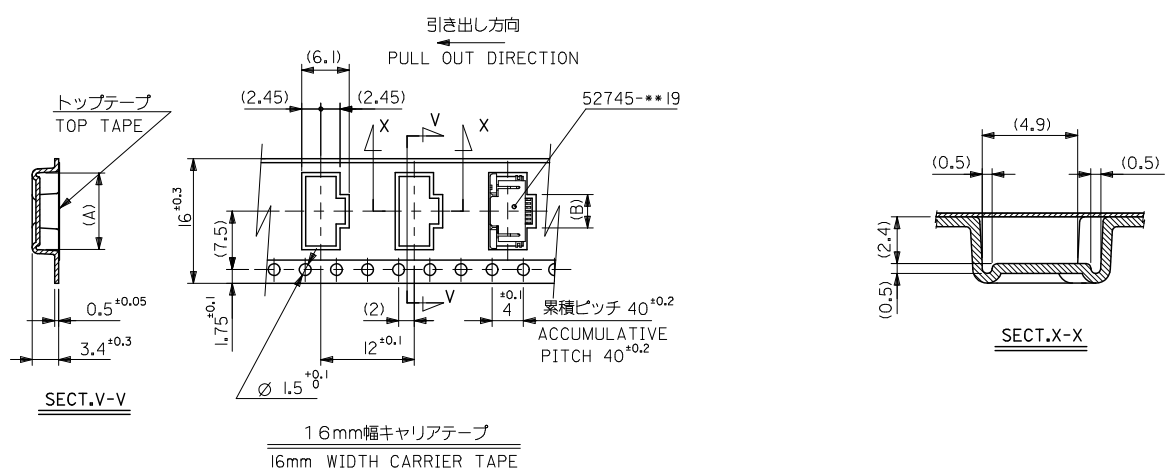
- トップテープの剥離強度：(剥離方向は下図参照)  
 0.1N~1.3N (10gf~130gf) 尚、本規格値は、出荷時に適用。  
 (但し、輸送時に剥離が発生しない事。)  
 PEELING OFF FORCE OF TOP TAPE:  
 0.1N~1.3N(10gf~130gf)(PEELING DIRECTION AS SHOWN IN FOLLOWING FIG.)  
 THIS REQUIREMENT SHOULD BE APPLIED AT SHIPMENT  
 PEEL OFF SHOULD NOT BE ALLOWED,  
 DURING TRANSPORTATION.



52745-\*\*\*96 MODEL NO.

|   |  |  |                            |   |   |                              |                           |
|---|--|--|----------------------------|---|---|------------------------------|---------------------------|
| REVISED<br>EC NO: J2009-2061<br>DRAWN BY<br>DRYUNIKON<br>CHKD:HATSUMOTO<br>2009/05/21<br>APPR:NIKIITA<br>2009/05/21 | GENERAL TOLERANCES<br>(UNLESS SPECIFIED) |  | DIMENSION STYLE<br>MM ONLY |   | SCALE<br>---  | DESIGN UNITS<br>METRIC       | THIRD ANGLE<br>PROJECTION |
|   | 10 UNDER                                 | ±0.2   | DRAWN BY<br>T.UENO         | DATE<br>2004/01/08  | TITLE<br>0.5 FPC CONN UPR CONT<br>EMBSTP PKG<br>-LEAD FREE- |                              |                           |
|   | 10 OVER 30 UNDER                         | ±0.25  | CHECKED BY<br>M.SASAO      | DATE<br>2004/01/08  | MOLEX INCORPORATED  |                              |                           |
|   | 30 OVER                                  | ±0.3   | APPROVED BY<br>M.SASAO     | DATE<br>2004/01/08  | MATERIAL NO.<br>SEE SHEET 2,3                               | DOCUMENT NO.<br>SD-52745-049 | SHEET NO.<br>1 OF 3       |
| REV   | DESCRIPTION                              | DRAFT WHERE APPLICABLE<br>MUST REMAIN<br>WITHIN DIMENSIONS |                            | SIZE<br>A3 THIS DRAWING CONTAINS INFORMATION THAT IS PROPRIETARY TO MOLEX<br>INCORPORATED AND SHOULD NOT BE USED WITHOUT WRITTEN PERMISSION |   |                              |                           |

10 9 8 7 6 5 4 3 2 1



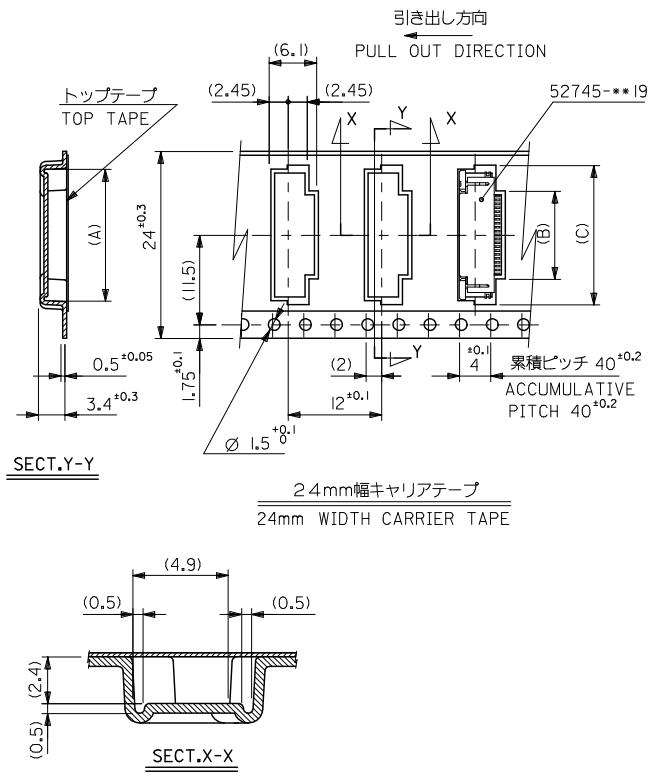
|                                |      |      |      |     |     |              |               |
|--------------------------------|------|------|------|-----|-----|--------------|---------------|
| 16                             | 21.4 | 17.4 | 17.5 | 2.8 | 8.4 | 52745-0496   | 4             |
| キャリアテープ幅<br>CARRIER TAPE WIDTH | E    | D    | (C)  | (B) | (A) | MATERIAL NO. | 極数<br>CIRCUIT |

|   |                                       |  |                            |   |   |                          |
|---|---------------------------------------|--|----------------------------|---|---|--------------------------|
| REVISED<br>E.C. NO: J2009-2061<br>DRAWN BY: DRWNTKON 2009/05/20<br>CHECKED BY: CHYKHMATSUMOTO 2009/05/21<br>APPROVED BY: APRRNKIKITA 2009/05/21 | GENERAL TOLERANCES (UNLESS SPECIFIED) |  | DIMENSION STYLE<br>MM ONLY | SCALE<br>---  | DESIGN UNITS<br>METRIC                                      | MODEL NO.<br>52745-***96 |
|   | 10 UNDER                              | ±0.2   | DRAWN BY<br>T. UENO        | DATE<br>2004/01/08  | TITLE<br>0.5 FPC CONN UPR CONT<br>EMBSTP PKG<br>-LEAD FREE- |                          |
|   | 10 OVER 30 UNDER                      | ±0.25  | CHECKED BY<br>M. SASAO     | DATE<br>2004/01/08  | MOLEX INCORPORATED  |                          |
|   | 30 OVER                               | ±0.3   | APPROVED BY<br>M. SASAO    | DATE<br>2004/01/08  | DOCUMENT NO.<br>SD-52745-049                                | SHEET NO.<br>2 OF 3      |
| ANGULAR ±3°   |                                       | DRAFT WHERE APPLICABLE MUST REMAIN WITHIN DIMENSIONS |                            | THIS DRAWING CONTAINS INFORMATION THAT IS PROPRIETARY TO MOLEX INCORPORATED AND SHOULD NOT BE USED WITHOUT WRITTEN PERMISSION |   |                          |

ib\_frame\_A3\_J\_ME\_S  
Rev. E 2006/04/15

9 8 7 6 5 4 3 2 1 EN-02JA(021)

10 9 8 7 6 5 4 3 2 1



|                                |      |      |            |      |      |              |               |
|--------------------------------|------|------|------------|------|------|--------------|---------------|
| 24                             | 29.4 | 25.4 | 17.4       | 10.8 | 16.4 | 52745-2096   | 20            |
|                                |      |      | 16.9       | 10.3 | 15.9 | -1996        | 19            |
|                                |      |      | 16.4       | 9.8  | 15.4 | -1896        | 18            |
|                                |      |      | 15.9       | 9.3  | 14.9 | -1796        | 17            |
|                                |      |      | 15.4       | 8.8  | 14.4 | -1696        | 16            |
|                                |      |      | 14.9       | 8.3  | 13.9 | -1596        | 15            |
|                                |      |      | 14.4       | 7.8  | 13.4 | -1496        | 14            |
|                                |      |      | 13.9       | 7.3  | 12.9 | -1396        | 13            |
|                                |      |      | 13.4       | 6.8  | 12.4 | -1296        | 12            |
|                                |      |      | 12.9       | 6.3  | 11.9 | -1196        | 11            |
|                                |      |      | 12.4       | 5.8  | 11.4 | -1096        | 10            |
|                                |      |      | 11.9       | 5.3  | 10.9 | -0996        | 9             |
|                                |      |      | 11.4       | 4.8  | 10.4 | -0896        | 8             |
| 10.9                           | 4.3  | 9.9  | -0796      | 7    |      |              |               |
| 10.4                           | 3.8  | 9.4  | 52745-0696 | 6    |      |              |               |
| キャリアテープ幅<br>CARRIER TAPE WIDTH | E    | D    | (C)        | (B)  | (A)  | MATERIAL NO. | 極数<br>CIRCUIT |

52745-\*\*\*96 MODEL NO.

|   |                                       |       |                            |                    |  |                        |
|---|---------------------------------------|-------|----------------------------|--------------------|--|------------------------|
| REVISED<br>IEC NO: J2009-2061<br>DRAWN BY<br>CHYKOHMATSUOTO<br>2009/05/21<br>APPR:NIKIITA<br>2009/05/21 | GENERAL TOLERANCES (UNLESS SPECIFIED) |       | DIMENSION STYLE<br>MM ONLY | SCALE<br>---       | DESIGN UNITS<br>METRIC   | THIRD ANGLE PROJECTION |
|   | 10 UNDER                              | ±0.2  | DRAWN BY<br>T. UENO        | DATE<br>2004/01/08 | TITLE<br>0.5 FPC CONN UPR CONT<br>EMBSTP PKG<br>-LEAD FREE-  |                        |
|   | 10 OVER 30 UNDER                      | ±0.25 | CHECKED BY<br>M. SASAO     | DATE<br>2004/01/08 | MOLEX INCORPORATED<br>DOCUMENT NO. SD-52745-049<br>SHEET NO. 3 OF 3  |                        |
|   | 30 OVER                               | ±0.3  | APPROVED BY<br>M. SASAO    | DATE<br>2004/01/08 |  |                        |
|   | ANGULAR                               | ±3°   | MATERIAL NO.<br>SEE TABLE  |                    | THIS DRAWING CONTAINS INFORMATION THAT IS PROPRIETARY TO MOLEX<br>INCORPORATED AND SHOULD NOT BE USED WITHOUT WRITTEN PERMISSION |                        |
| DRAFT WHERE APPLICABLE MUST REMAIN WITHIN DIMENSIONS  |                                       |       | SIZE<br>A3                 |                    |  |                        |