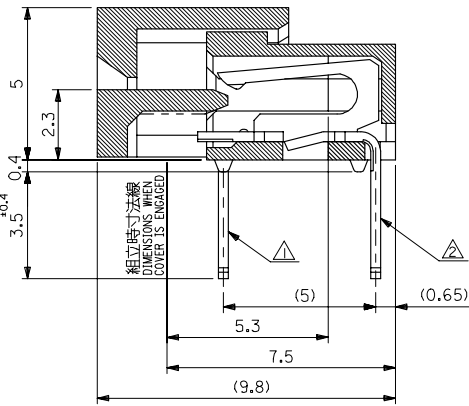
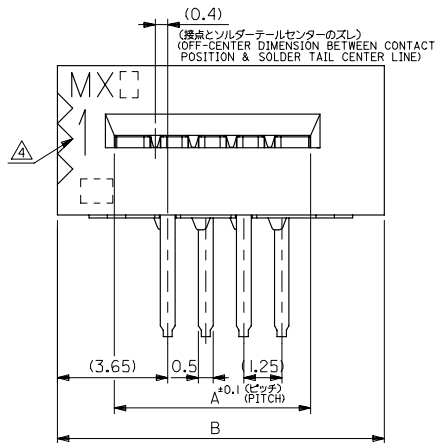
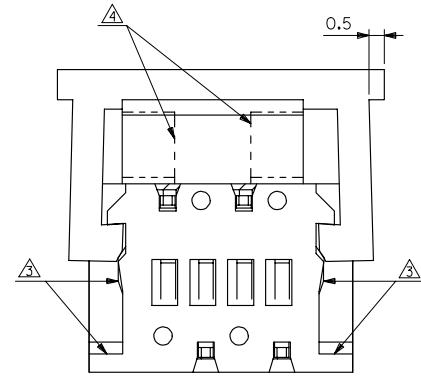


10 9 8 7 6 5 4 3 2 1



48.25	43.95	39-53-2344	5597-34APB7F	34	F
47.00	42.70	-2334	-33APB7F	33	
45.75	41.45	-2324	-32APB7F	32	
44.50	40.20	-2314	-31APB7F	31	
43.25	38.95	-2304	-30APB7F	30	
42.00	37.70	-2294	-29APB7F	29	
40.75	36.45	-2284	-28APB7F	28	
39.50	35.20	-2274	-27APB7F	27	E
38.25	33.95	-2264	-26APB7F	26	
37.00	32.70	-2254	-25APB7F	25	
35.75	31.45	-2244	-24APB7F	24	
34.50	30.20	-2234	-23APB7F	23	
33.25	28.95	-2224	-22APB7F	22	
32.00	27.70	-2214	-21APB7F	21	
30.75	26.45	-2204	-20APB7F	20	D
29.50	25.20	-2194	-19APB7F	19	
28.25	23.95	-2184	-18APB7F	18	
27.00	22.70	-2174	-17APB7F	17	
25.75	21.45	-2164	-16APB7F	16	
24.50	20.20	-2154	-15APB7F	15	
23.25	18.95	-2144	-14APB7F	14	
22.00	17.70	-2134	-13APB7F	13	
20.75	16.45	-2124	-12APB7F	12	
19.50	15.20	-2114	-11APB7F	11	C
18.25	13.95	-2104	-10APB7F	10	
17.00	12.70	-2094	-09APB7F	9	
15.75	11.45	-2084	-08APB7F	8	
14.50	10.20	-2074	-07APB7F	7	
13.25	8.95	-2064	-06APB7F	6	
12.00	7.70	-2054	-05APB7F	5	
10.75	6.45	-2044	-04APB7F	4	
9.50	5.20	39-53-2034	5597-03APB7F	3	B
B	A	EDP NO.	ENG NO.	極数 CKT.	



注記 NOTES

- △ MX J側を基準に奇数番目の極におけるソルダーテール。SOLDER TAIL OF ODD CKTS, MXJ MARK AS BASIC.
- △ MX J側を基準に偶数番目の極におけるソルダーテール。SOLDER TAIL OF EVEN CKTS, MXJ MARK AS BASIC.
- ③ 3極~10極に適用。APPLY FOR 3-10 CKTS.
- ④ 3極~19極に適用。APPLY FOR 3-19 CKTS.
- 5. ( ) 内寸法は、参考値。  
( ) DIMENSION IS FOR REFERENCE.
- 6. ソルダーテールは、先端が取付推奨穴にガイドされること。SOLDER TAILS MAY BE CHECKED BY INSERTION FOR RECOMMENDED PCB BOARD HOLES.
- 7. 本製品は5597-NAPBの鉛フリー品である。  
THIS PRODUCT IS LEAD FREE OF 5597-NAPB.

材料 MATERIAL  
HOUSING, ACTUATOR : PBTP, UL94V-0  
TERMINAL : PHOSPHOR-BRONZE  
THK : 0.31

仕上げ FINISH : TIN-BISMUTH ;  
10 MICROMETER MINIMUM  
OVER NICKEL PLATING ;  
10 MICROMETER MINIMUM

適用導線範囲 WIRE RANGE

挿入径 INS. RANGE

REVISED EC NO. J2007-2876 2007/04/19 DRAWN:SAITOH CHKD:THIRUYANA 2007/04/19 APPR:NIKIITA 2007/04/20 DESCRIPTION	GENERAL TOLERANCES (UNLESS SPECIFIED)		DIMENSION STYLE MM ONLY		SCALE ---	DESIGN UNITS METRIC	MODEL NO. 5597-NAPB7F
	10 UNDER	±0.2	DRAWN BY M. NAGATA	DATE '04/05/10	TITLE 1.25 FPC CONNECTOR ASSY ZIF -LEAD FREE-		
	10 OVER 30 UNDER	±0.25	CHECKED BY K. TOJO	DATE '04/05/10	THIRD ANGLE PROJECTION		
	30 OVER	±0.3	APPROVED BY M. SASAO	DATE '04/05/10	MOLEX INCORPORATED		
B	ANGULAR	±3 °	MATERIAL NO. SEE CHART		DOCUMENT NO. SD-5597-011	SHEET NO. 1 OF 2	
DRAFT WHERE APPLICABLE MUST REMAIN WITHIN DIMENSIONS			THIS DRAWING CONTAINS INFORMATION THAT IS PROPRIETARY TO MOLEX INCORPORATED AND SHOULD NOT BE USED WITHOUT WRITTEN PERMISSION				

10 9 8 7 6 5 4 3 2 1

F

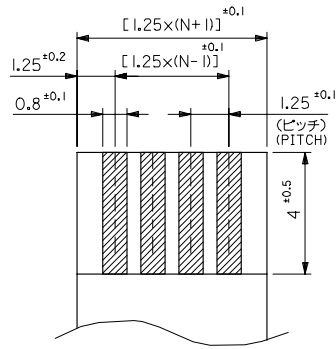
E

D

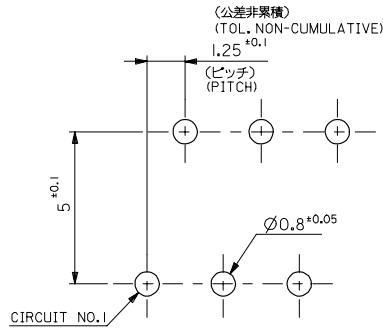
C

B

A



適合 FPC / FFC 推奨寸法  
RECOMMENDED FPC / FFC  
厚さ THK : 0.3 ± 0.05



基板取付穴推奨寸法 (t=1.6)  
RECOMMENDED P.C. BOARD  
HOLE DIMENSION

FPC/FFCについて:

打抜き方向は導体側から補強板側を推奨いたします。  
導体側については軟銅箔35マイクロメートルまたは50マイクロメートルを推奨いたします。

ABOUT FPC/FFC  
RECOMMENDED PUNCHER DIRECTION : FROM CONDUCTOR SIDE TO STIFFENER FILM SIDE.  
RECOMMENDED CONDUCTOR SPEC :  
THICKNESS OF SOFT COPPER FOIL : 35 MICROMETER OR 50 MICROMETER.

FPCについて:

補強フィルム材質はポリイミドを推奨します。  
接着剤は熱硬化接着剤を推奨します。

ABOUT FPC  
RECOMMENDED MATERIAL :  
STIFFENER FILM : POLYIMIDE  
BONDING AGENT : THERMOSETTING BONDING AGENT

MODEL NO. 5597-NAPB7F

REVISED EC NO. J2007-2876 DRW:KSAI1001 CHKD:THRUJANA APPR:NIKIITA	GENERAL TOLERANCES (UNLESS SPECIFIED)		DIMENSION STYLE MM ONLY		SCALE ---	DESIGN UNITS METRIC	THIRD ANGLE PROJECTION
	10 UNDER	± 0.2	DRAWN BY M. NAGATA	DATE '04/05/10	TITLE 1.25 FPC CONNECTOR ASSY ZIF -LEAD FREE- MOLEX INCORPORATED		
	10 OVER 30 UNDER	± 0.25	CHECKED BY K. TOJO	DATE '04/05/10			
	30 OVER	± 0.3	APPROVED BY M. SASAO	DATE '04/05/10			
ANGULAR	± 3 °	MATERIAL NO. SEE CHART		DOCUMENT NO. SD-5597-011	SHEET NO. 2 OF 2		
DRAFT WHERE APPLICABLE MUST REMAIN WITHIN DIMENSIONS		THIS DRAWING CONTAINS INFORMATION THAT IS PROPRIETARY TO MOLEX INCORPORATED AND SHOULD NOT BE USED WITHOUT WRITTEN PERMISSION					

fb\_frame\_A3\_1\_ME\_S  
Rev. D 2004/04/02

9

8

7

6

5

4

3

2

EN-02JA(021)

F

E

D

C

B

A