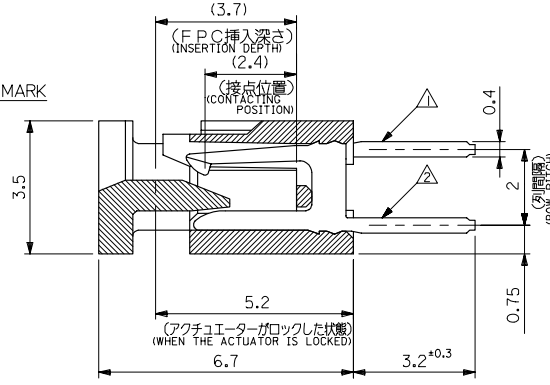
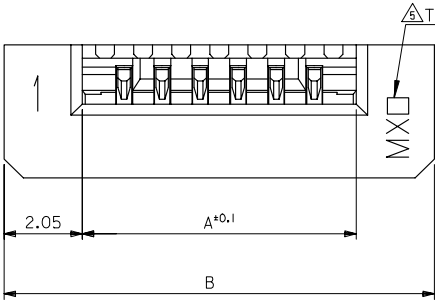


10 9 8 7 6 5 4 3 2 1

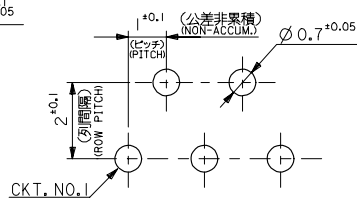
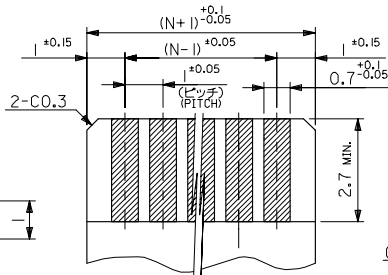
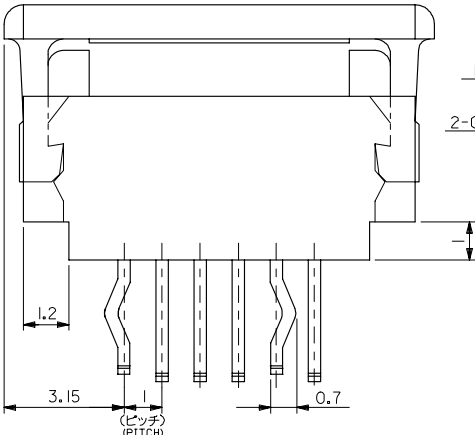


TRADE MARK
MADE IN JAPAN:MXJ
MADE IN MALAYSIA:MXL

FPCについて:
打抜き方向は導体側から補強板側を推奨致します。
補強フィルム材質はポリイミドを推奨致します。
接着剤は熱硬化接着剤を推奨致します。

ABOUT FPC:
RECOMMENDED PUNCHER DIRECTION :FORM CONDUCTOR
SIDE TO STIFFENER BOARD SIDE.
RECOMMENDED MATERIAL :
STIFFENER FILM : POLYIMIDE
BONDING AGENT : THEROSETTING BONDING AGENT

| | | | |
|------|------|--------------|------------|
| 35.3 | 31.2 | 52030-3029 | 30 |
| 34.3 | 30.2 | -2929 | 29 |
| 33.3 | 29.2 | -2829 | 28 |
| 32.3 | 28.2 | -2729 | 27 |
| 31.3 | 27.2 | -2629 | 26 |
| 30.3 | 26.2 | -2529 | 25 |
| 29.3 | 25.2 | -2429 | 24 |
| 28.3 | 24.2 | -2329 | 23 |
| 27.3 | 23.2 | -2229 | 22 |
| 26.3 | 22.2 | -2129 | 21 |
| 25.3 | 21.2 | -2029 | 20 |
| 24.3 | 20.2 | -1929 | 19 |
| 23.3 | 19.2 | -1829 | 18 |
| 22.3 | 18.2 | -1729 | 17 |
| 21.3 | 17.2 | -1629 | 16 |
| 20.3 | 16.2 | -1529 | 15 |
| 19.3 | 15.2 | -1429 | 14 |
| 18.3 | 14.2 | -1329 | 13 |
| 17.3 | 13.2 | -1229 | 12 |
| 16.3 | 12.2 | -1129 | 11 |
| 15.3 | 11.2 | -1029 | 10 |
| 14.3 | 10.2 | -0929 | 9 |
| 13.3 | 9.2 | -0829 | 8 |
| 12.3 | 8.2 | -0729 | 7 |
| 11.3 | 7.2 | -0629 | 6 |
| 10.3 | 6.2 | -0529 | 5 |
| 9.3 | 5.2 | -0429 | 4 |
| 8.3 | 4.2 | 52030-0329 | 3 |
| B | A | MATERIAL NO. | 極数 CKT. |



適合FPC推奨寸法
APPLICABLE FPC
RECOMMENDED DIM.
基板取付穴推奨寸法 (t=1.6)
RECOMMENDED P.C.BOARD
HOLE DIMENSIONS (t=1.6)
(マウント面)

注記: △ CKT. NO. 1を基準に偶数番目のソルダーテール。
EVEN NUMBER SOLDER TAIL.
△ CKT. NO. 1を基準に奇数番目のソルダーテール。
ODD NUMBER SOLDER TAIL.

3. 材料:
MATERIAL:
ターミナル: リン青銅、ニッケル下地、銅ヒスマスメッキ (t=0.32)
TERMINAL: PHOSPHOR BRONZE, TIN-BISMUTH OVER NICKEL PLATING. (t=0.32)
ハウジング: 66ナイロン、UL94V-0
HOUSING: 66NYLON, UL94V-0
アクチュエーター: ポリエステル、UL94V-0
ACTUATOR: POLYESTER, UL94V-0
4. 本製品は52030-* * 10の鉛フリー品である。
THIS PRODUCT IS LEAD FREE OF 52030-* * 10.

| | | | | | | | |
|--|--|-------|----------------------------|-------------------|--|------------------------|---------------------------|
| REVISED EC NO: J2008-1613 2007/10/30 DRAWN: A0YAGI CHKD: THIRUYANA 2007/10/30 APPR: NUKITA 2007/10/30 | GENERAL TOLERANCES (UNLESS SPECIFIED) | | DIMENSION STYLE MM ONLY | | SCALE 10:1 | DESIGN UNITS METRIC | THIRD ANGLE PROJECTION |
| | 10 UNDER | ±0.2 | DRAWN BY YWADA | DATE '04/03/29 | TITLE 1.0 FPC CONN ZIF ST | | |
| | 10 OVER 30 UNDER | ±0.25 | CHECKED BY MSASAO | DATE '04/03/29 | -LEAD FREE- | | |
| | 30 OVER | ±0.3 | APPROVED BY MSASAO | DATE '04/03/29 | MOLEX INCORPORATED | | |
| | ANGULAR | ±3 ° | MATERIAL NO. SEE TABLE | | DOCUMENT NO. SD-52030-017 | SHEET NO. 1 OF 1 | |
| | DRAFT WHERE APPLICABLE MUST REMAIN WITHIN DIMENSIONS | | SIZE A3 | | THIS DRAWING CONTAINS INFORMATION THAT IS PROPRIETARY TO MOLEX INCORPORATED AND SHOULD NOT BE USED WITHOUT WRITTEN PERMISSION | | |