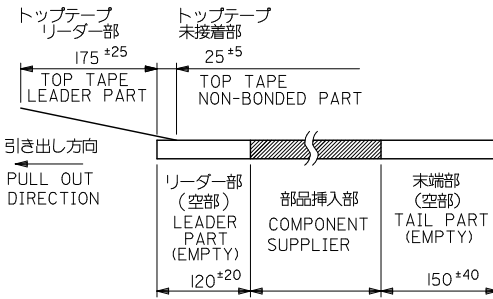
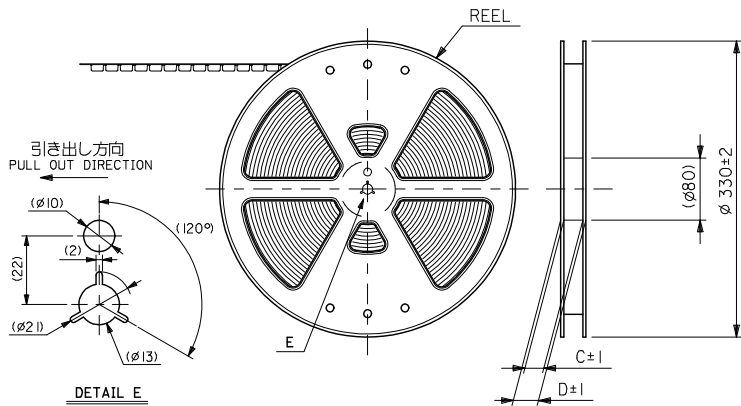


注記 NOTES

- 製品番号 52559-***19 の梱包状態はアクチュエータがロックした状態とする。
 詳細寸法については図面 SD-52559-***19 を参照下さい。
 IN THE PACKAGE,ACTUATOR OF PART NO.52559-***19 SHOULD BE LOCKED RE DETAILED DIMENSIONS,SEE SD-52559-***19
- 梱包数量：1000個/リール
 NUMBER OF CONNECTORS:1000PCS/REEL
- リードテープ長さ LEAD TAPE LENGTH



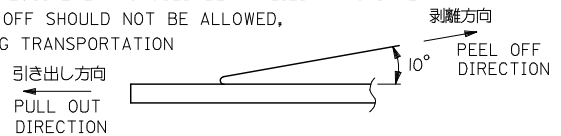
5. 材料 キャリアテープ：ポリプロピレン (PP)
 トップテープ：PET, PE, PEF
 リール：ポリスチレン (PS) <リサイクル材を含む>

MATERIAL CARRIER TAPE:POLYPROPYLENE
 TOP TAPE:PET,PE,PEF
 REEL:POLYSTYREN(PS)
 <RECYCLE MATERIAL CONTAINED>

6. 本製品は 52559-***90 の鉛フリー品である。
 THIS PRODUCT IS LEAD FREE OF

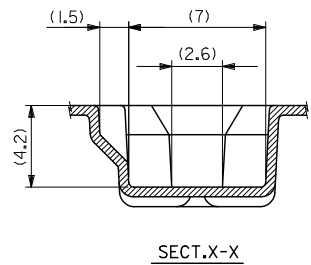
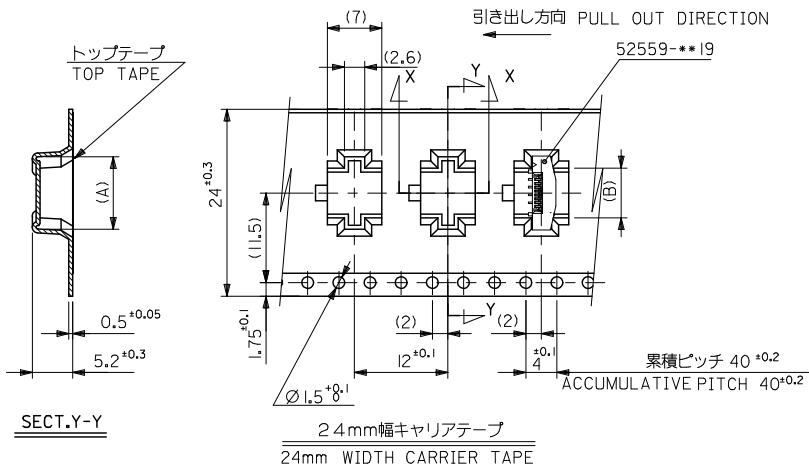
7. 本製品は乾燥剤入り、ハイバリア梱包仕様である。
 THIS PRODUCT IS HIGH BARRIER PACKAGE WITH DESICCANT.

- トップテープの剥離強度：(剥離方向は下図参照)
 0.1N~1.3N (10gf~130gf)毎、本規格値は、出荷時に適用。
 (但し、輸送時に剥離が発生しない事。)
 PEELING OFF FORCE OF TOP TAPE
 0.1~1.3N(10gf~130gf)(PEELING DIRECTION AS SHOWN IN FOLLOWING FIG.)
 THIS REQUIREMENT SHOULD BE APPLIED AT SHIPMENT
 PEEL OFF SHOULD NOT BE ALLOWED,
 DURING TRANSPORTATION



REVISED EC NO: J2009-2061 DRAWN BY DRYKON CHKD:HATSUMOTO 2009/05/21 APPR:NIKIITA 2009/05/21 REV	GENERAL TOLERANCES (UNLESS SPECIFIED)		DIMENSION STYLE MM ONLY		SCALE ---	52559-***70	MODEL NO.
	10 UNDER	±0.2	DRAWN BY HSHIMABUKURO	DATE '04/01/07	TITLE	DESIGN UNITS METRIC	THIRD ANGLE PROJECTION
	10 OVER 30 UNDER	±0.25	CHECKED BY KTOJO	DATE '04/01/07	0.5 FPC CONN ASSY ZIF SMT SMT EMBSTP PKG -LEAD FREE-	MOLEX INCORPORATED	SHEET NO. 1 OF 4
	30 OVER	±0.3	APPROVED BY MSASAO	DATE '04/01/07			
ANGULAR ±3 °		MATERIAL NO. SEE SHEET 2-4		DOCUMENT NO. SD-52559-029			
DRAFT WHERE APPLICABLE MUST REMAIN WITHIN DIMENSIONS		SIZE A3 THIS DRAWING CONTAINS INFORMATION THAT IS PROPRIETARY TO MOLEX INCORPORATED AND SHOULD NOT BE USED WITHOUT WRITTEN PERMISSION					

10 9 8 7 6 5 4 3 2 1



24	29.4	25.4	13.4	16.3	52559-2270	22
			12.4	15.3	52559-2070	20
			11.9	14.8	52559-1970	19
			11.4	14.3	52559-1870	18
			10.4	13.3	52559-1670	16
			9.9	12.8	52559-1570	15
			9.4	12.3	52559-1470	14
			8.9	11.8	52559-1370	13
			8.4	11.3	52559-1270	12
			7.9	10.8	52559-1170	11
6.4	9.3	52559-0870	8			
5.4	8.3	52559-0670	6			

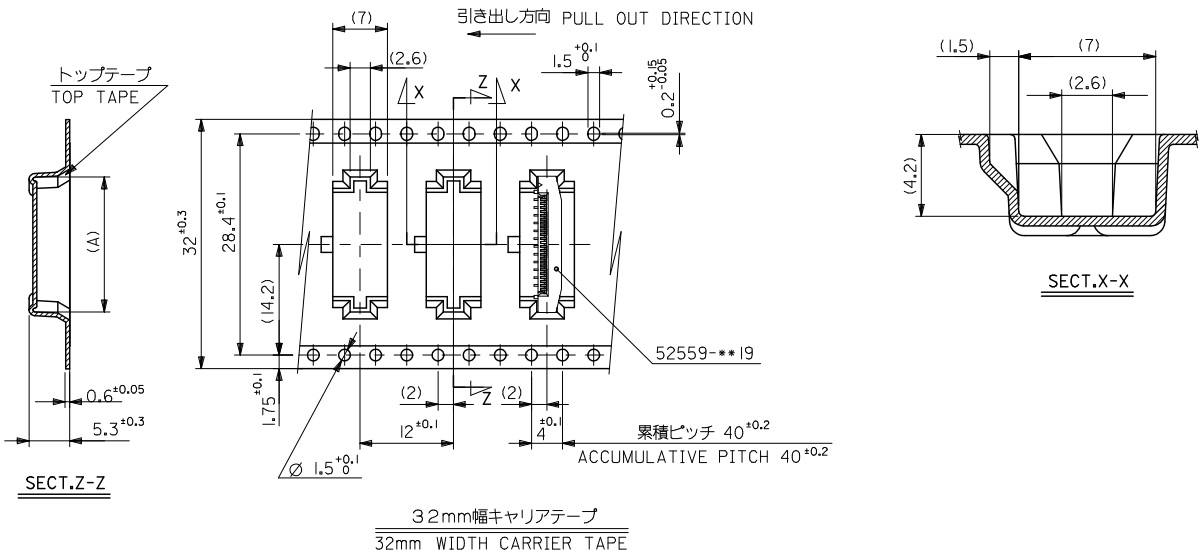
MODEL No.52559-**-70 キャリアテープ幅 24mm CARRIER TAPE WIDTH D C (B) (A) MATERIAL. NO. 極微細

REVISED ELC NO: J2009-2061 DRAWN BY: DRINKON 2009/05/20 CHECKED BY: CHYKHMATSUMOTO 2009/05/21 APPR: NIKITA 2009/05/21	GENERAL TOLERANCES (UNLESS SPECIFIED)		DIMENSION STYLE MM ONLY		SCALE ---	DESIGN UNITS METRIC	THIRD ANGLE PROJECTION
	10 UNDER	±0.2	DRAWN BY: HSHIMABUKURO DATE: '04/01/07		TITLE: 0.5 FPC CONN ASSY ZIF SMT SMT EMBSTP PKG -LEAD FREE-		
	10 OVER 30 UNDER	±0.25	CHECKED BY: KTOJO DATE: '04/01/07		MOLEX INCORPORATED		
	30 OVER	±0.3	APPROVED BY: MSASAO DATE: '04/01/07		DOCUMENT NO. SD-52559-029 SHEET NO. 2 OF 4		
	ANGULAR ±3°		MATERIAL NO. SEE TABLE		THIS DRAWING CONTAINS INFORMATION THAT IS PROPRIETARY TO MOLEX INCORPORATED AND SHOULD NOT BE USED WITHOUT WRITTEN PERMISSION		
DRAFT WHERE APPLICABLE MUST REMAIN WITHIN DIMENSIONS							

ib_frame_A3_J_ME_S
Rev. E 2006/04/15

EN-02JA(021)

10 9 8 7 6 5 4 3 2 1



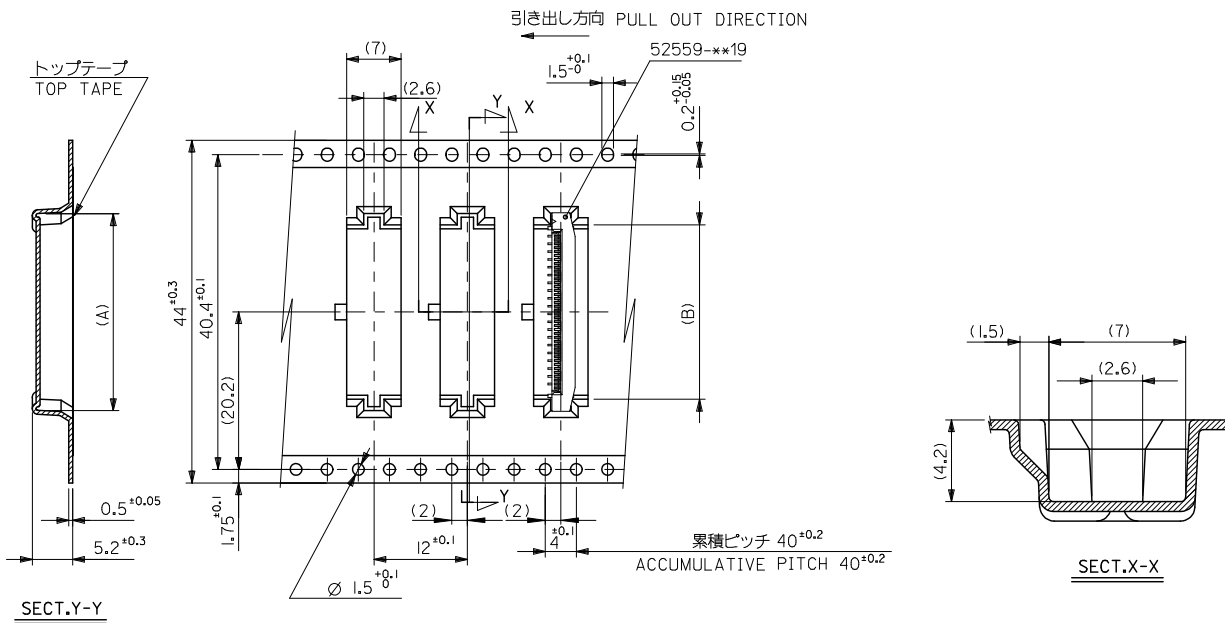
32mm幅キャリアテープ
32mm WIDTH CARRIER TAPE

32	37.4	33.4	18.9	21.8	52559-3370	33
			18.4	21.3	52559-3270	32
			17.4	20.3	52559-3070	30
			16.4	19.3	52559-2870	28
			15.4	18.3	52559-2670	26
			14.9	17.8	52559-2570	25
			14.4	17.3	52559-2470	24

MODEL No.52559-***70 キャリアテープ幅 CARRIER TAPE WIDTH D C (B) (A) MATERIAL. NO. 種別コード

REVISED ELC NO: J2009-2061 DRAWN BY: CHYKOHMATSUNO CHECKED BY: APPR: NIKITA DATE: 2009/05/20 DATE: 2009/05/21 DATE: 2009/05/21	GENERAL TOLERANCES (UNLESS SPECIFIED)		DIMENSION STYLE MM ONLY		SCALE ---	DESIGN UNITS METRIC	THIRD ANGLE PROJECTION
	10 UNDER	±0.2	DRAWN BY HSHIMABUKURO	DATE '04/01/07	TITLE 0.5 FPC CONN ASSY ZIF SMT SMT EMBSTP PKG -LEAD FREE-		
	10 OVER 30 UNDER	±0.25	CHECKED BY KTOJO	DATE '04/01/07	MOLEX INCORPORATED		
	30 OVER	±0.3	APPROVED BY MSASAO	DATE '04/01/07	MATERIAL NO. SEE TABLE	DOCUMENT NO. SD-52559-029	SHEET NO. 3 OF 4
	ANGULAR ±3 °		DRAFT WHERE APPLICABLE MUST REMAIN WITHIN DIMENSIONS		THIS DRAWING CONTAINS INFORMATION THAT IS PROPRIETARY TO MOLEX INCORPORATED AND SHOULD NOT BE USED WITHOUT WRITTEN PERMISSION		

10 9 8 7 6 5 4 3 2 1

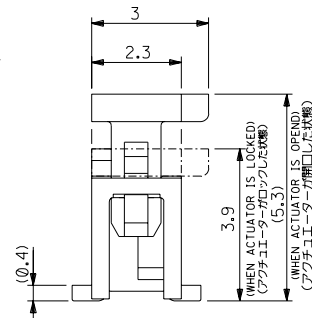
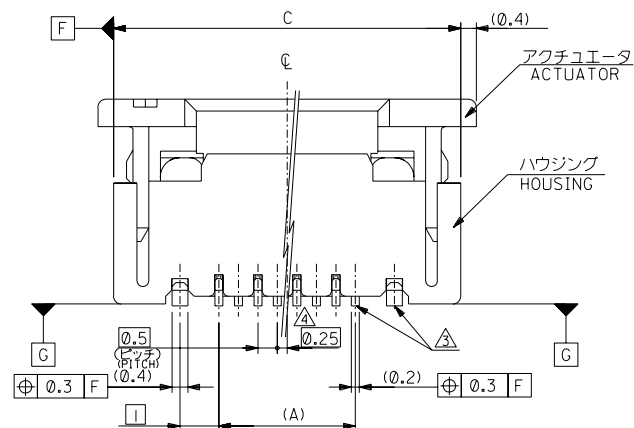
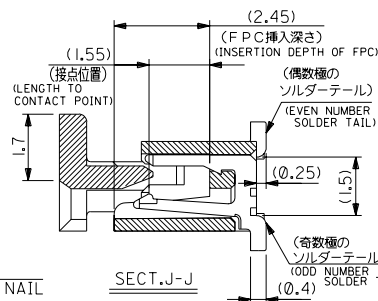
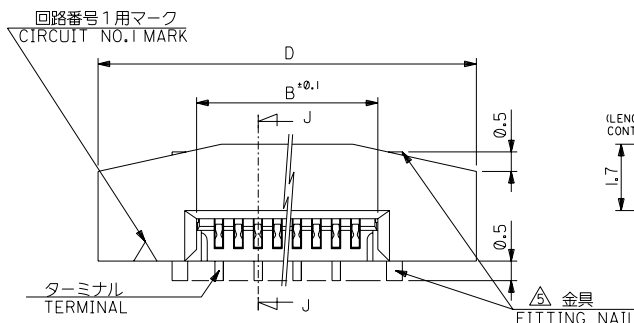


44mm幅キャリアテープ
44mm WIDTH CARRIER TAPE

44	49.4	45.4	22.4	25.3	52559-4070	40
キャリアテープ幅 CARRIER TAPE WIDTH	D	C	(B)	(A)	MATERIAL NO.	CIRCUIT NO.
MODEL No.52559-**70		DIMENSION STYLE MM ONLY		SCALE ---	DESIGN UNITS METRIC	THIRD ANGLE PROJECTION
DRAWN BY HSHIMABUKURO	DATE '04/01/07	TITLE 0.5 FPC CONN ASSY ZIF SMT ST EMBSTP PKG -LEAD FREE-				
CHECKED BY KT0JO	DATE '04/01/07	APPROVED BY MSASAO				
APPROVED BY DATE '04/01/07		MATERIAL NO. SEE TABLE		DOCUMENT NO. SD-52559-029		
REVISIONS		SIZE A3		SHEET NO. 4 OF 4		
GENERAL TOLERANCES (UNLESS SPECIFIED)		THIS DRAWING CONTAINS INFORMATION THAT IS PROPRIETARY TO MOLEX INCORPORATED AND SHOULD NOT BE USED WITHOUT WRITTEN PERMISSION				
10 UNDER	±0.2					
10 OVER 30 UNDER	±0.25					
30 OVER	±0.3					
ANGULAR ±3°						
DRAFT WHERE APPLICABLE MUST REMAIN WITHIN DIMENSIONS						

REVISED	LEC NO: J2009-2061	2009/05/20
	DRAWN BY: CHYKOHMATSUNO	2009/05/21
	APPROVED BY: APPR:NIKIITA	2009/05/21
DESCRIPTION		

DWG. NO. SD-52559-045



注記 NOTES

- I. 使用材料: MATERIAL
- ハウジング HOUSING : 46NYLON UL94V-0
 - アクチュエータ ACTUATOR : PPS UL94V-0
 - ターミナル TERMINAL : リン青銅 (t=0.2) PHOS-BRO
 - 金具 FITTING NAIL : 銅ビスマスマック 1.0マイクromメートル以上 TIN-BISMUTH 1.0 MICROMETER MINIMUM
 - ニッケル下地 1.0マイクromメートル以上 NICKEL(UNDER PLATING) 1.0 MICROMETER MINIMUM
 - リン青銅 (t=0.4) PHOS-BRO
 - 銅メッキ 1.0マイクromメートル以上 TIN 1.0 MICROMETER MINIMUM
 - ニッケル下地 1.0マイクromメートル以上 NICKEL(UNDER PLATING) 1.0 MICROMETER MINIMUM
2. エンボステップ梱包時は、アクチュエータがロックした状態とする。
IN THE PACKAGE, ACTUATOR OF PART NO.52559-***9 SHOULD BE LOCKED.
- △ ソルダータール半田付け面のズレ量、及び金具半田付け面のズレ量は、基準面 G に対し上方向 0.05 MAX.、下方向 0.15 MAX.とする。
MISALIGNMENT OF SOLDER TAILS AND FITTING NAILS FROM G UPPER DIRECTION: 0.05 MAX. . LOWER DIRECTION: 0.15 MAX.
- △ 偶数種に適用。
APPLY FOR EVEN CIRCUIT.
- △ パターンはくくり止め用金具。
FITTING NAIL FOR PREVENTION OF PEELING OF P.C.B. PATTERN.
- △ RO. 3は、F.P.Cの導体部にかからないこと。
RO.3 MUST NOT BE OVERLAPPED TO PATTERN OF FPC.
7. 本製品は 52559-***17 の鉛フリー品である。
THIS PRODUCT IS LEAD FREE OF 52559-***17

DO NOT SCALE DRAWING

8 8BAND. DRWN: CHK: APPR: 7 E33NO. DRWN: CHK: APPR: 6 E32NO. DRWN: CHK: APPR: 5 REVISED E31 NO. J2004-3551 DRWN: H. KAWABATA CHK: K. TOJO APPR: H. SAEKI 4 RELEASED E30 NO. J2004-1818 DRWN: H. SHIMABUKURO CHK: K. TOJO APPR: H. SAEKI 3 MATERIAL 材料 注記参照 SEE NOTES FINISH 仕上げ WIRE RANGE 適用電線範囲 INS. RANGE 被覆外径 REV DESCRIPTION 4 GENERAL TOLERANCES: (UNLESS SPECIFIED) 一般公差 10 UNDER 未満 30 OVER 以上 10 UNDER 未満 30 OVER 以上 ANGLE 角度 SCALE 1:1 DESIGN UNITS <input checked="" type="checkbox"/> mm <input type="checkbox"/> INCH DRAWN BY & DATE H. SHIMABUKURO '04/01/07 CHECKED BY & DATE K. TOJO '04/01/07 APPROVED BY & DATE H. SAEKI '04/01/07 CAD FILENAME SD-52559-045.S01 TITLE: 0.5 FPC Conn. Assy ZIF. -LEAD FREE- MOLEX INCORPORATED MATERIAL NO. SEE CHART DRAWING NO. SD-52559-045 SHEET NO. 1 OF 2 SIZE B DIMENSIONS: <input type="checkbox"/> mm <input type="checkbox"/> INCH <input checked="" type="checkbox"/> mm ONLY <input type="checkbox"/> SHT <input checked="" type="checkbox"/> REVISE ON CAD ONLY EN-02J(097) MXJ-54	
---	--

DWG. NO. SD-52559-045

F

D

V

C

B

DO NOT SCALE DRAWING

8 7 6 5 4 3 2 1

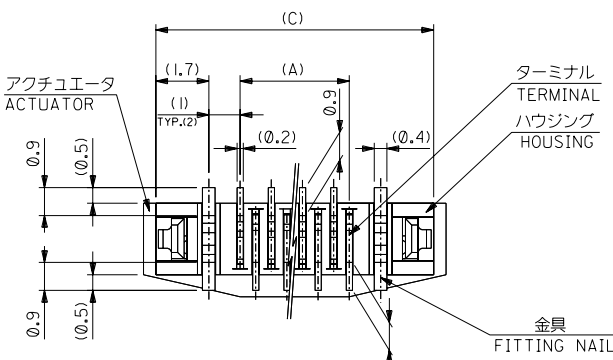
F

E

D

C

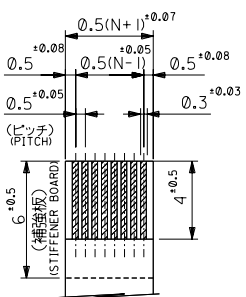
B



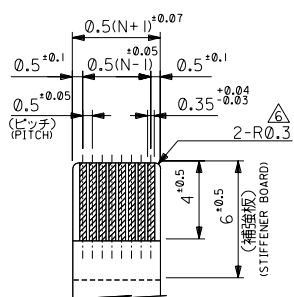
FPCについて:
打抜き方向は導体側から補強板側を推奨致します。
補強フィルム材質はポリイミドを推奨致します。
接着剤は熱硬化接着剤を推奨致します。

ABOUT FPC:
RECOMMENDED PUNCHER DIRECTION : FROM CONDUCTOR SIDE TO STIFFENER BOARD SIDE.
RECOMMENDED MATERIAL:
STIFFENER FILM : POLYIMIDE
BONDING AGENT : THERMOSETTING BONDING AGENT

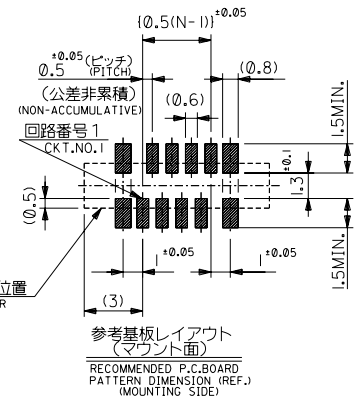
下面図
BOTTOM VIEW



適合FPC推奨寸法
APPLICABLE FPC
RECOMMENDED DIMENSION.
(仕上がり厚さ: 0.3±0.05)
(THICKNESS: 0.3±0.05)



適合FPC推奨寸法
APPLICABLE FPC
RECOMMENDED DIMENSION.
(仕上がり厚さ: 0.3±0.05)
(THICKNESS: 0.3±0.05)



コネクタ位置
CONNECTOR POSITION

参考基板レイアウト
(マウント面)
RECOMMENDED P.C. BOARD
PATTERN DIMENSION (REF.)
(MOUNTING SIDE)

25.7	24.9	20.65	19.5	52559-40	19	40
23.7	22.9	18.65	17.5		-36	36
22.2	21.4	17.15	16.0		-33	33
21.7	20.9	16.65	15.5		-32	32
21.2	20.4	16.15	15.0		-31	31
20.7	19.9	15.65	14.5		-30	30
20.2	19.4	15.15	14.0		-29	29
19.7	18.9	14.65	13.5		-28	28
19.2	18.4	14.15	13.0		-27	27
18.7	17.9	13.65	12.5		-26	26
18.2	17.4	13.15	12.0		-25	25
17.7	16.9	12.65	11.5		-24	24
17.2	16.4	12.15	11.0		-23	23
16.7	15.9	11.65	10.5		-22	22
16.2	15.4	11.15	10.0		-21	21
15.7	14.9	10.65	9.5		-20	20
15.2	14.4	10.15	9.0		-19	19
14.7	13.9	9.65	8.5		-18	18
14.2	13.4	9.15	8.0		-17	17
13.7	12.9	8.65	7.5		-16	16
13.2	12.4	8.15	7.0		-15	15
12.7	11.9	7.65	6.5		-14	14
12.2	11.4	7.15	6.0		-13	13
11.7	10.9	6.65	5.5		-12	12
11.2	10.4	6.15	5.0		-11	11
10.7	9.9	5.65	4.5		-10	10
10.2	9.4	5.15	4.0		-09	9
9.7	8.9	4.65	3.5		-08	8
8.7	7.9	3.65	2.5	52559-06	19	6
D	C	B	(A)	MATERIAL NO.	種数	CTY

REV. NO.	REVISED	MODEL NO.	52559-0019	DIMENSIONS:	mm INCH mm ONLY	SHT	REV
DRWING	DRWING	SCALE	1:1	DESIGN UNITS	mm INCH	2	1
CHK	CHK	GENERAL TOLERANCES:	(UNLESS SPECIFIED)	PROJ	ANGLE	ON	ON
APP	APP	FINISH	仕上げ	PROJ	PROJ	CAD	CAD
REV. NO.	REVISED	10 UNDER	未満	PROJ	PROJ	ONLY	ONLY
DRWING	DRWING	10 OVER	30 未満	PROJ	PROJ	ONLY	ONLY
CHK	CHK	30 OVER	以上	PROJ	PROJ	ONLY	ONLY
APP	APP	ANGLE	角度	PROJ	PROJ	ONLY	ONLY
REV. NO.	REVISED	WIRE RANGE	適用電線範囲	PROJ	PROJ	ONLY	ONLY
DRWING	DRWING	INS. RANGE	適用電線範囲	PROJ	PROJ	ONLY	ONLY
CHK	CHK	INS. RANGE	適用電線範囲	PROJ	PROJ	ONLY	ONLY
APP	APP	INS. RANGE	適用電線範囲	PROJ	PROJ	ONLY	ONLY
REV. NO.	REVISED	ANGLE	角度	PROJ	PROJ	ONLY	ONLY
DRWING	DRWING	ANGLE	角度	PROJ	PROJ	ONLY	ONLY
CHK	CHK	ANGLE	角度	PROJ	PROJ	ONLY	ONLY
APP	APP	ANGLE	角度	PROJ	PROJ	ONLY	ONLY
REV. NO.	REVISED	ANGLE	角度	PROJ	PROJ	ONLY	ONLY
DRWING	DRWING	ANGLE	角度	PROJ	PROJ	ONLY	ONLY
CHK	CHK	ANGLE	角度	PROJ	PROJ	ONLY	ONLY
APP	APP	ANGLE	角度	PROJ	PROJ	ONLY	ONLY
REV. NO.	REVISED	ANGLE	角度	PROJ	PROJ	ONLY	ONLY
DRWING	DRWING	ANGLE	角度	PROJ	PROJ	ONLY	ONLY
CHK	CHK	ANGLE	角度	PROJ	PROJ	ONLY	ONLY
APP	APP	ANGLE	角度	PROJ	PROJ	ONLY	ONLY
REV. NO.	REVISED	ANGLE	角度	PROJ	PROJ	ONLY	ONLY
DRWING	DRWING	ANGLE	角度	PROJ	PROJ	ONLY	ONLY
CHK	CHK	ANGLE	角度	PROJ	PROJ	ONLY	ONLY
APP	APP	ANGLE	角度	PROJ	PROJ	ONLY	ONLY
REV. NO.	REVISED	ANGLE	角度	PROJ	PROJ	ONLY	ONLY
DRWING	DRWING	ANGLE	角度	PROJ	PROJ	ONLY	ONLY
CHK	CHK	ANGLE	角度	PROJ	PROJ	ONLY	ONLY
APP	APP	ANGLE	角度	PROJ	PROJ	ONLY	ONLY
REV. NO.	REVISED	ANGLE	角度	PROJ	PROJ	ONLY	ONLY
DRWING	DRWING	ANGLE	角度	PROJ	PROJ	ONLY	ONLY
CHK	CHK	ANGLE	角度	PROJ	PROJ	ONLY	ONLY
APP	APP	ANGLE	角度	PROJ	PROJ	ONLY	ONLY
REV. NO.	REVISED	ANGLE	角度	PROJ	PROJ	ONLY	ONLY
DRWING	DRWING	ANGLE	角度	PROJ	PROJ	ONLY	ONLY
CHK	CHK	ANGLE	角度	PROJ	PROJ	ONLY	ONLY
APP	APP	ANGLE	角度	PROJ	PROJ	ONLY	ONLY
REV. NO.	REVISED	ANGLE	角度	PROJ	PROJ	ONLY	ONLY
DRWING	DRWING	ANGLE	角度	PROJ	PROJ	ONLY	ONLY
CHK	CHK	ANGLE	角度	PROJ	PROJ	ONLY	ONLY
APP	APP	ANGLE	角度	PROJ	PROJ	ONLY	ONLY
REV. NO.	REVISED	ANGLE	角度	PROJ	PROJ	ONLY	ONLY
DRWING	DRWING	ANGLE	角度	PROJ	PROJ	ONLY	ONLY
CHK	CHK	ANGLE	角度	PROJ	PROJ	ONLY	ONLY
APP	APP	ANGLE	角度	PROJ	PROJ	ONLY	ONLY
REV. NO.	REVISED	ANGLE	角度	PROJ	PROJ	ONLY	ONLY
DRWING	DRWING	ANGLE	角度	PROJ	PROJ	ONLY	ONLY
CHK	CHK	ANGLE	角度	PROJ	PROJ	ONLY	ONLY
APP	APP	ANGLE	角度	PROJ	PROJ	ONLY	ONLY
REV. NO.	REVISED	ANGLE	角度	PROJ	PROJ	ONLY	ONLY
DRWING	DRWING	ANGLE	角度	PROJ	PROJ	ONLY	ONLY
CHK	CHK	ANGLE	角度	PROJ	PROJ	ONLY	ONLY
APP	APP	ANGLE	角度	PROJ	PROJ	ONLY	ONLY
REV. NO.	REVISED	ANGLE	角度	PROJ	PROJ	ONLY	ONLY
DRWING	DRWING	ANGLE	角度	PROJ	PROJ	ONLY	ONLY
CHK	CHK	ANGLE	角度	PROJ	PROJ	ONLY	ONLY
APP	APP	ANGLE	角度	PROJ	PROJ	ONLY	ONLY
REV. NO.	REVISED	ANGLE	角度	PROJ	PROJ	ONLY	ONLY
DRWING	DRWING	ANGLE	角度	PROJ	PROJ	ONLY	ONLY
CHK	CHK	ANGLE	角度	PROJ	PROJ	ONLY	ONLY
APP	APP	ANGLE	角度	PROJ	PROJ	ONLY	ONLY
REV. NO.	REVISED	ANGLE	角度	PROJ	PROJ	ONLY	ONLY
DRWING	DRWING	ANGLE	角度	PROJ	PROJ	ONLY	ONLY
CHK	CHK	ANGLE	角度	PROJ	PROJ	ONLY	ONLY
APP	APP	ANGLE	角度	PROJ	PROJ	ONLY	ONLY
REV. NO.	REVISED	ANGLE	角度	PROJ	PROJ	ONLY	ONLY
DRWING	DRWING	ANGLE	角度	PROJ	PROJ	ONLY	ONLY
CHK	CHK	ANGLE	角度	PROJ	PROJ	ONLY	ONLY
APP	APP	ANGLE	角度	PROJ	PROJ	ONLY	ONLY
REV. NO.	REVISED	ANGLE	角度	PROJ	PROJ	ONLY	ONLY
DRWING	DRWING	ANGLE	角度	PROJ	PROJ	ONLY	ONLY
CHK	CHK	ANGLE	角度	PROJ	PROJ	ONLY	ONLY
APP	APP	ANGLE	角度	PROJ	PROJ	ONLY	ONLY
REV. NO.	REVISED	ANGLE	角度	PROJ	PROJ	ONLY	ONLY
DRWING	DRWING	ANGLE	角度	PROJ	PROJ	ONLY	ONLY
CHK	CHK	ANGLE	角度	PROJ	PROJ	ONLY	ONLY
APP	APP	ANGLE	角度	PROJ	PROJ	ONLY	ONLY
REV. NO.	REVISED	ANGLE	角度	PROJ	PROJ	ONLY	ONLY
DRWING	DRWING	ANGLE	角度	PROJ	PROJ	ONLY	ONLY
CHK	CHK	ANGLE	角度	PROJ	PROJ	ONLY	ONLY
APP	APP	ANGLE	角度	PROJ	PROJ	ONLY	ONLY
REV. NO.	REVISED	ANGLE	角度	PROJ	PROJ	ONLY	ONLY
DRWING	DRWING	ANGLE	角度	PROJ	PROJ	ONLY	ONLY
CHK	CHK	ANGLE	角度	PROJ	PROJ	ONLY	ONLY
APP	APP	ANGLE	角度	PROJ	PROJ	ONLY	ONLY
REV. NO.	REVISED	ANGLE	角度	PROJ	PROJ	ONLY	ONLY
DRWING	DRWING	ANGLE	角度	PROJ	PROJ	ONLY	ONLY
CHK	CHK	ANGLE	角度	PROJ	PROJ	ONLY	ONLY
APP	APP	ANGLE	角度	PROJ	PROJ	ONLY	ONLY
REV. NO.	REVISED	ANGLE	角度	PROJ	PROJ	ONLY	ONLY
DRWING	DRWING	ANGLE	角度	PROJ	PROJ	ONLY	ONLY
CHK	CHK	ANGLE	角度	PROJ	PROJ	ONLY	ONLY
APP	APP	ANGLE	角度	PROJ	PROJ	ONLY	ONLY
REV. NO.	REVISED	ANGLE	角度	PROJ	PROJ	ONLY	ONLY
DRWING	DRWING	ANGLE	角度	PROJ	PROJ	ONLY	ONLY
CHK	CHK	ANGLE	角度	PROJ	PROJ	ONLY	ONLY
APP	APP	ANGLE	角度	PROJ	PROJ	ONLY	ONLY
REV. NO.	REVISED	ANGLE	角度	PROJ	PROJ	ONLY	ONLY
DRWING	DRWING	ANGLE	角度	PROJ	PROJ	ONLY	ONLY
CHK	CHK	ANGLE	角度	PROJ	PROJ	ONLY	ONLY
APP	APP	ANGLE	角度	PROJ	PROJ	ONLY	ONLY
REV. NO.	REVISED	ANGLE	角度	PROJ	PROJ	ONLY	ONLY
DRWING	DRWING	ANGLE	角度	PROJ	PROJ	ONLY	ONLY
CHK	CHK	ANGLE	角度	PROJ	PROJ	ONLY	ONLY
APP	APP	ANGLE	角度	PROJ	PROJ	ONLY	ONLY
REV. NO.	REVISED	ANGLE	角度	PROJ	PROJ	ONLY	ONLY
DRWING	DRWING	ANGLE	角度	PROJ	PROJ	ONLY	ONLY
CHK	CHK	ANGLE	角度	PROJ	PROJ	ONLY	ONLY
APP	APP	ANGLE	角度	PROJ	PROJ	ONLY	ONLY
REV. NO.	REVISED	ANGLE	角度	PROJ	PROJ	ONLY	ONLY
DRWING	DRWING	ANGLE	角度	PROJ	PROJ	ONLY	ONLY
CHK	CHK	ANGLE	角度	PROJ	PROJ	ONLY	ONLY
APP	APP	ANGLE	角度	PROJ	PROJ	ONLY	ONLY
REV. NO.	REVISED	ANGLE	角度	PROJ	PROJ	ONLY	ONLY
DRWING	DRWING	ANGLE	角度	PROJ	PROJ	ONLY	ONLY
CHK	CHK	ANGLE	角度	PROJ	PROJ	ONLY	ONLY
APP	APP	ANGLE	角度	PROJ	PROJ	ONLY	ONLY
REV. NO.	REVISED	ANGLE	角度	PROJ	PROJ	ONLY	ONLY
DRWING	DRWING	ANGLE	角度	PROJ	PROJ	ONLY	ONLY
CHK	CHK	ANGLE	角度	PROJ	PROJ	ONLY	ONLY
APP	APP	ANGLE	角度	PROJ	PROJ	ONLY	ONLY
REV. NO.	REVISED	ANGLE	角度	PROJ	PROJ	ONLY	ONLY
DRWING	DRWING	ANGLE	角度	PROJ	PROJ	ONLY	ONLY
CHK	CHK	ANGLE	角度	PROJ	PROJ	ONLY	ONLY
APP	APP	ANGLE	角度	PROJ	PROJ	ONLY	ONLY
REV. NO.	REVISED	ANGLE	角度	PROJ	PROJ	ONLY	ONLY
DRWING	DRWING	ANGLE	角度	PROJ	PROJ	ONLY	ONLY
CHK	CHK	ANGLE	角度	PROJ	PROJ		