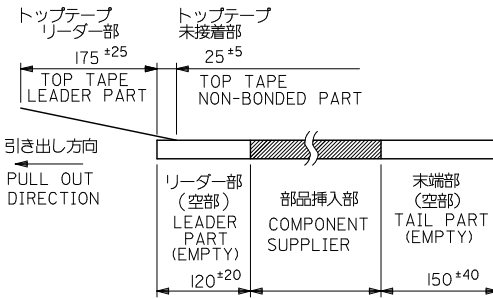
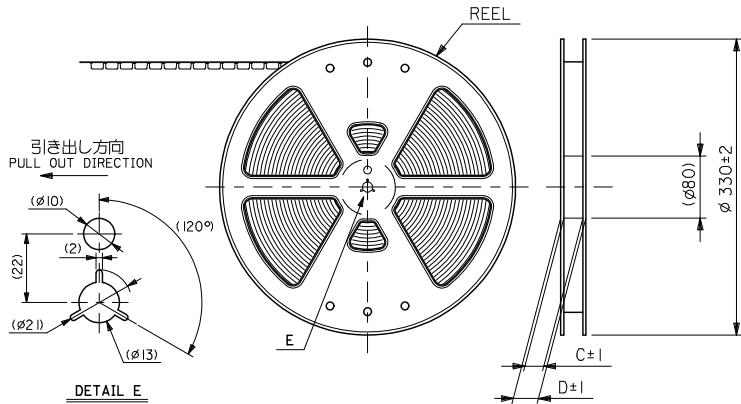


注記 NOTES

- 製品番号 52559-***19 の梱包状態はアクチュエータがロックした状態とする。
 詳細寸法については図面 SD-52559-***19 を参照下さい。
 IN THE PACKAGE,ACTUATOR OF PART NO.52559-***19 SHOULD BE LOCKED
 RE DETAILED DIMENSIONS,SEE SD-52559-***19
- 梱包数量：1000個/リール
 NUMBER OF CONNECTORS:1000PCS/REEL
- リードテープ長さ LEAD TAPE LENGTH



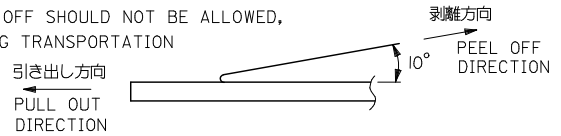
5. 材料 キャリアテープ：ポリプロピレン (PP)
 トップテープ：PET, PE, PEF
 リール：ポリスチレン (PS) <リサイクル材を含む>

MATERIAL CARRIER TAPE:POLYPROPYLENE
 TOP TAPE:PET,PE,PEF
 REEL:POLYSTYRE(PS)
 <RECYCLE MATERIAL CONTAINED>

6. 本製品は 52559-***90 の鉛フリー品である。
 THIS PRODUCT IS LEAD FREE OF

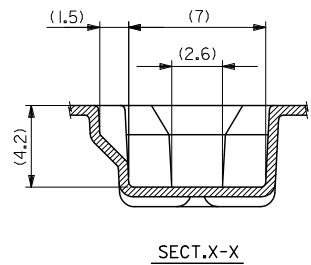
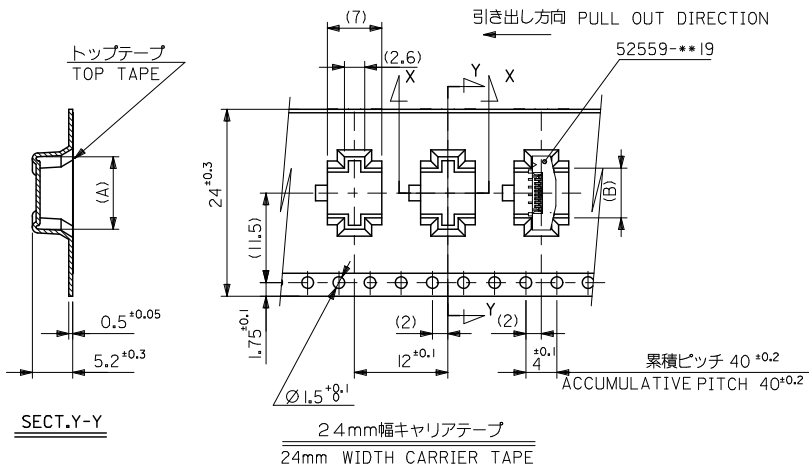
7. 本製品は乾燥剤入り、ハイバリア梱包仕様である。
 THIS PRODUCT IS HIGH BARRIER PACKAGE WITH DESICCANT.

4. トップテープの剥離強度：(剥離方向は下図参照)
 0.1N~1.3N (10gf~130gf)毎、本規格値は、出荷時に適用。
 (但し、輸送時に剥離が発生しない事。)
 PEELING OFF FORCE OF TOP TAPE
 0.1~1.3N(10gf~130gf)(PEELING DIRECTION AS SHOWN IN FOLLOWING FIG.)
 THIS REQUIREMENT SHOULD BE APPLIED AT SHIPMENT
 PEEL OFF SHOULD NOT BE ALLOWED,
 DURING TRANSPORTATION



REVISED EC NO: J2009-2061 DRAWN BY DRYUNIKON 2009/05/20 CHECKED BY CHYKOHMATSUMOTO 2009/05/21 APPROVED BY APPR:NIKITA 2009/05/21	GENERAL TOLERANCES (UNLESS SPECIFIED)		DIMENSION STYLE MM ONLY		SCALE ---	52559-***70	MODEL NO.
	10 UNDER	±0.2	DRAWN BY HSHIMABUKURO	DATE '04/01/07	TITLE	DESIGN UNITS METRIC	THIRD ANGLE PROJECTION
	10 OVER 30 UNDER	±0.25	CHECKED BY KTOJO	DATE '04/01/07	0.5 FPC CONN ASSY ZIF SMT SMT EMBSTP PKG -LEAD FREE-	MOLEX INCORPORATED	SHEET NO. 1 OF 4
	30 OVER	±0.3	APPROVED BY MSASAO	DATE '04/01/07			
ANGULAR ±3 °		MATERIAL NO. SEE SHEET 2-4		THIS DRAWING CONTAINS INFORMATION THAT IS PROPRIETARY TO MOLEX INCORPORATED AND SHOULD NOT BE USED WITHOUT WRITTEN PERMISSION			
DRAFT WHERE APPLICABLE MUST REMAIN WITHIN DIMENSIONS		SIZE A3					

10 9 8 7 6 5 4 3 2 1

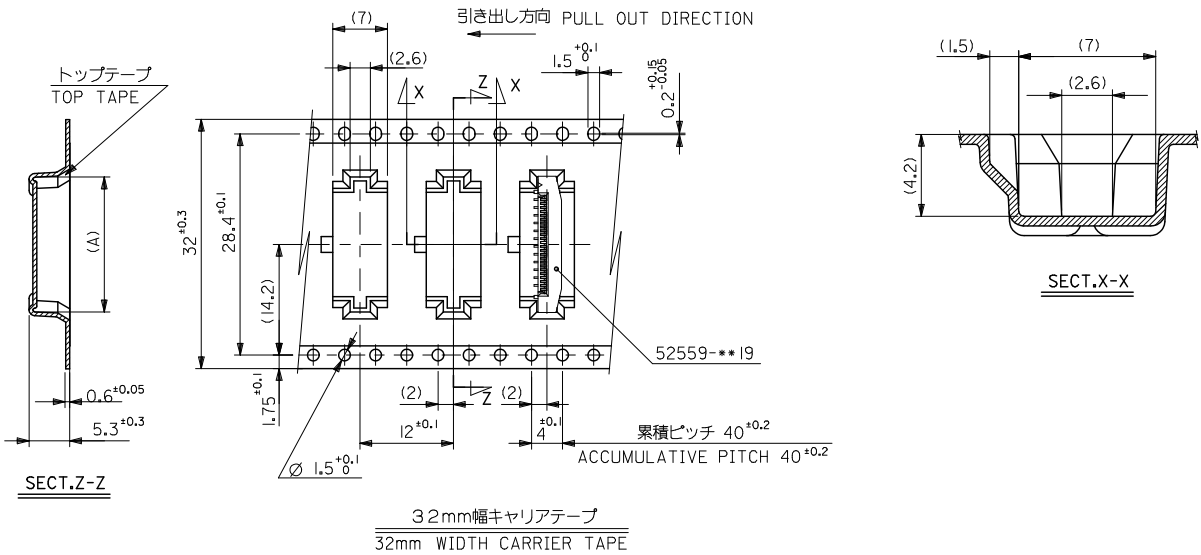


24	29.4	25.4	13.4	16.3	52559-2270	22
			12.4	15.3	52559-2070	20
			11.9	14.8	52559-1970	19
			11.4	14.3	52559-1870	18
			10.4	13.3	52559-1670	16
			9.9	12.8	52559-1570	15
			9.4	12.3	52559-1470	14
			8.9	11.8	52559-1370	13
			8.4	11.3	52559-1270	12
			7.9	10.8	52559-1170	11
6.4	9.3	52559-0870	8			
5.4	8.3	52559-0670	6			

MODEL No.52559-**-70

REVISED E.C. NO: J2009-2061 DRAWN BY: DRWNTKON 2009/05/20 CHECKED BY: CHYKHMATSUMOTO 2009/05/21 APPROVED BY: APPRNIKITA 2009/05/21	GENERAL TOLERANCES (UNLESS SPECIFIED)		DIMENSION STYLE		SCALE	DESIGN UNITS	THIRD ANGLE PROJECTION
	10 UNDER ±0.2		MM ONLY		---	METRIC	
	10 OVER 30 UNDER ±0.25		DRAWN BY: HSHIMABUKURO		DATE: '04/01/07	TITLE: 0.5 FPC CONN ASSY ZIF SMT SMT EMBSTP PKG -LEAD FREE-	
	30 OVER ±0.3		CHECKED BY: KTOJO		DATE: '04/01/07	MOLEX INCORPORATED	
ANGULAR ±3 °		APPROVED BY: MSASAO		DATE: '04/01/07	DOCUMENT NO. SD-52559-029		SHEET NO. 2 OF 4
DRAFT WHERE APPLICABLE MUST REMAIN WITHIN DIMENSIONS		MATERIAL NO. SEE TABLE		THIS DRAWING CONTAINS INFORMATION THAT IS PROPRIETARY TO MOLEX INCORPORATED AND SHOULD NOT BE USED WITHOUT WRITTEN PERMISSION			

10 9 8 7 6 5 4 3 2 1



SECT.Z-Z

SECT.X-X

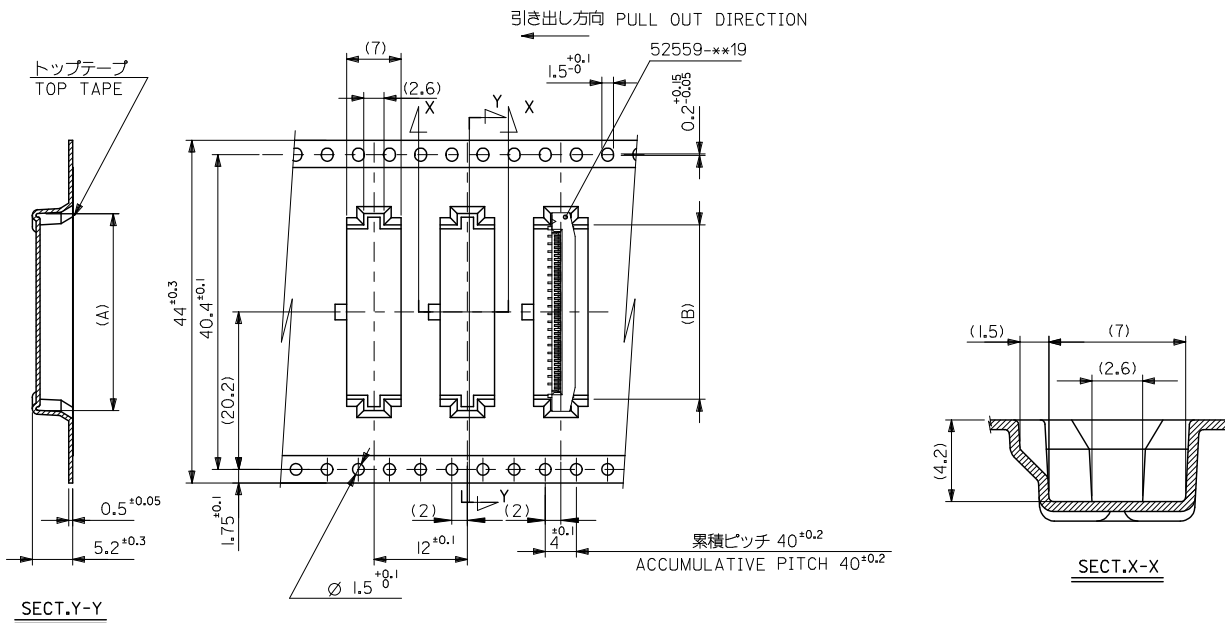
32mm幅キャリアテープ
32mm WIDTH CARRIER TAPE

32	37.4	33.4	18.9	21.8	52559-3370	33
			18.4	21.3	52559-3270	32
			17.4	20.3	52559-3070	30
			16.4	19.3	52559-2870	28
			15.4	18.3	52559-2670	26
			14.9	17.8	52559-2570	25
			14.4	17.3	52559-2470	24

MODEL No.52559-**70 キャリアテープ幅 CARRIER TAPE WIDTH D C (B) (A) MATERIAL. NO. 種別コード

REVISED IEC NO: J2009-2061 DRAWN BY: CHYKOHMATSUNO CHECKED BY: APPR:NIKIITA DATE: 2009/05/20 DATE: 2009/05/21 DATE: 2009/05/21	GENERAL TOLERANCES (UNLESS SPECIFIED)		DIMENSION STYLE		SCALE	DESIGN UNITS	THIRD ANGLE PROJECTION	
	(UNLESS SPECIFIED)		MM ONLY					---
	10 UNDER	±0.2	DRAWN BY: HSHIMABUKURO		DATE: '04/01/07	TITLE: 0.5 FPC CONN ASSY ZIF SMT SMT EMBSTP PKG -LEAD FREE-		
	10 OVER 30 UNDER	±0.25	CHECKED BY: KTOJO		DATE: '04/01/07			
	30 OVER	±0.3	APPROVED BY: MSASAO		DATE: '04/01/07	MOLEX INCORPORATED		
ANGULAR	±3 °	MATERIAL NO. SEE TABLE		DOCUMENT NO. SD-52559-029	SHEET NO. 3 OF 4			
DRAFT WHERE APPLICABLE MUST REMAIN WITHIN DIMENSIONS		SIZE A3 THIS DRAWING CONTAINS INFORMATION THAT IS PROPRIETARY TO MOLEX INCORPORATED AND SHOULD NOT BE USED WITHOUT WRITTEN PERMISSION						

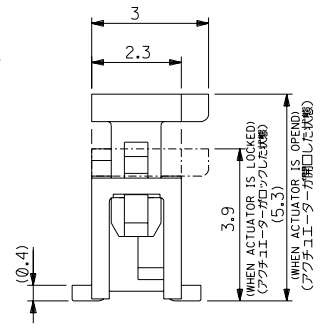
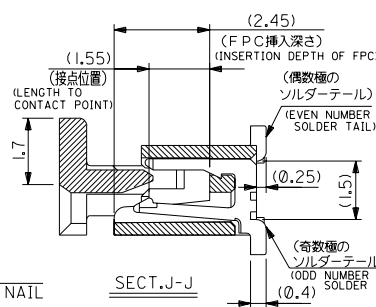
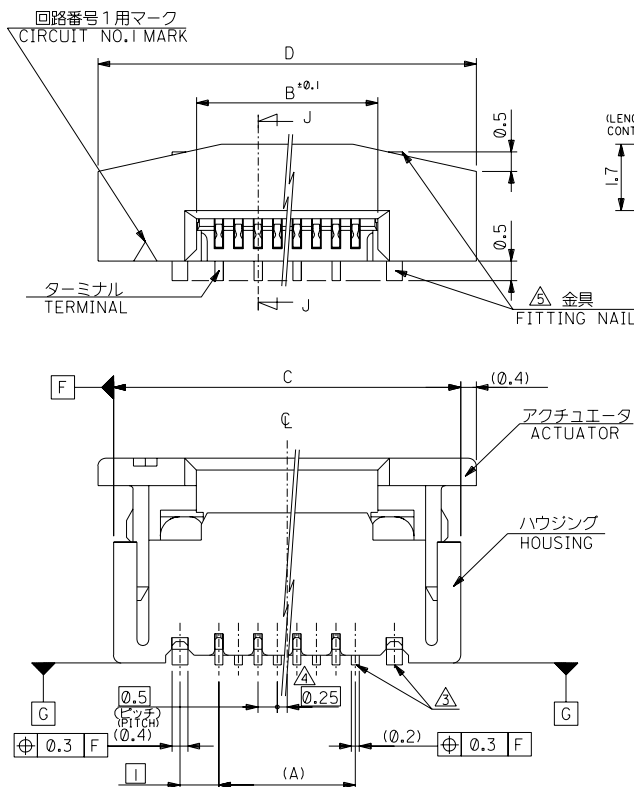
10 9 8 7 6 5 4 3 2 1



44mm幅キャリアテープ
44mm WIDTH CARRIER TAPE

44	49.4	45.4	22.4	25.3	52559-4070	40
キャリアテープ幅 CARRIER TAPE WIDTH	D	C	(B)	(A)	MATERIAL NO.	CIRCUIT NO.
MODEL No.52559-**70		DIMENSION STYLE MM ONLY		SCALE ---	DESIGN UNITS METRIC	THIRD ANGLE PROJECTION
REVISED	LEC NO: J2009-2061	2009/05/20	DRAWN BY DATE HSHIMABUKURO '04/01/07			
D	DRWNTKON	2009/05/21	CHECKED BY DATE KT0JO '04/01/07			
DESCRIPTION	CHKDHMATSUMOTO	2009/05/21	APPROVED BY DATE MSASAO '04/01/07			
REV	APPRNKIKITA	2009/05/21	MATERIAL NO. SEE TABLE		DOCUMENT NO. SD-52559-029	
GENERAL TOLERANCES (UNLESS SPECIFIED)			TITLE 0.5 FPC CONN ASSY ZIF SMT ST EMBSTP PKG -LEAD FREE-			
10 UNDER		±0.2	MOLEX INCORPORATED			
10 OVER 30 UNDER		±0.25	SHEET NO. 4 OF 4			
30 OVER		±0.3	THIS DRAWING CONTAINS INFORMATION THAT IS PROPRIETARY TO MOLEX INCORPORATED AND SHOULD NOT BE USED WITHOUT WRITTEN PERMISSION			
ANGULAR		±3 °	DRAFT WHERE APPLICABLE MUST REMAIN WITHIN DIMENSIONS			

DWG. NO. SD-52559-045



注記 NOTES

- I. 使用材料: MATERIAL
- ハウジング HOUSING : 46NYLON UL94V-0
 - アクチュエータ ACTUATOR : PPS UL94V-0
 - ターミナル TERMINAL : リン青銅 (t=0.2) PHOS-BRO
 - 金具 FITTING NAIL : リン青銅 (t=0.2) PHOS-BRO
 - ニッケル下地 1.0マイクromメートル以上 NICKEL(UNDER PLATING) 1.0 MICROMETER MINIMUM
 - 銅メッキ 1.0マイクromメートル以上 TIN-BISMUTH 1.0 MICROMETER MINIMUM
2. エンボステップ梱包時は、アクチュエータがロックした状態とする。
IN THE PACKAGE, ACTUATOR OF PART NO.52559-***9 SHOULD BE LOCKED.
- △ソルダータール半田付け面のズレ量、及び金具半田付け面のズレ量は、基準面 [G] に対し上方向 0.05 MAX.、下方向 0.15 MAX.とする。
MISALIGNMENT OF SOLDER TAILS AND FITTING NAILS FROM [G] UPPER DIRECTION: 0.05 MAX. . LOWER DIRECTION: 0.15 MAX.
- △偶数種に適用。
APPLY FOR EVEN CIRCUIT.
- △パタンはくくり止め用金具。
FITTING NAIL FOR PREVENTION OF PEELING OF P.C.B. PATTERN.
- △RO. 3は、FPCの導体部にかからないこと。
RO.3 MUST NOT BE OVERLAPPED TO PATTERN OF FPC.
7. 本製品は 52559-***17 の鉛フリー品である。
THIS PRODUCT IS LEAD FREE OF 52559-***17

DO NOT SCALE DRAWING		REVISED		RELEASED		MATERIAL		GENERAL TOLERANCES:		SCALE		DESIGN UNITS		DIMENSIONS:		SHT		REV	
E81NO. J2004-3551		E83NO. J2004-1818		E82NO. J2004-1818		材料		UNLESS SPECIFIED)		—		mm		mm		CAD ONLY		CAD ONLY	
DRWN: H. KAWABATA		DRWN: H. SHIMABUKURO		DRWN: H. SHIMABUKURO		注記参照		10 UNDER		DRAWN BY & DATE		mm		mm		2		1	
CHK: K. TOJO		CHK: K. TOJO		CHK: K. TOJO		SEE NOTES		OVER 30		H. SHIMABUKURO '04/01/07		INCH		INCH		3		2	
APPR: H. SAEED		APPR: H. SAEED		APPR: H. SAEED		FINISH		30 OVER		K. TOJO '04/01/07		mm ONLY		mm ONLY		4		3	
						仕上げ		ANGLE		H. SAEED '04/01/07		mm ONLY		mm ONLY		5		4	
						WIRE RANGE		+0.2		TITLE:		mm ONLY		mm ONLY		6		5	
						適用電線範囲		+0.25		0.5 FPC Conn. Assy ZIF.		mm ONLY		mm ONLY		7		6	
						INS. RANGE		+0.3		-LEAD FREE-		mm ONLY		mm ONLY		8		7	
						被覆外径		+3°		MOLEX INCORPORATED		mm ONLY		mm ONLY		9		8	
						REV		ANGLE 角度		CAD FILENAME		mm ONLY		mm ONLY		10		9	
						DESCRIPTION		SD-52559-045.S01		MATERIAL NO.		mm ONLY		mm ONLY		11		10	
								SEE CHART		DRAWING NO.		mm ONLY		mm ONLY		12		11	
										SD-52559-045		mm ONLY		mm ONLY		13		12	
										SHEET NO.		mm ONLY		mm ONLY		14		13	
										1 OF 2		mm ONLY		mm ONLY		15		14	
										SIZE		mm ONLY		mm ONLY		16		15	
										B		mm ONLY		mm ONLY		17		16	
										EN-02J(097) MXJ-54		mm ONLY		mm ONLY		18		17	

DWG. NO. SD-52559-045

F

D

V

C

B

DO NOT SCALE DRAWING

8 7 6 5 4 3 2 1

F

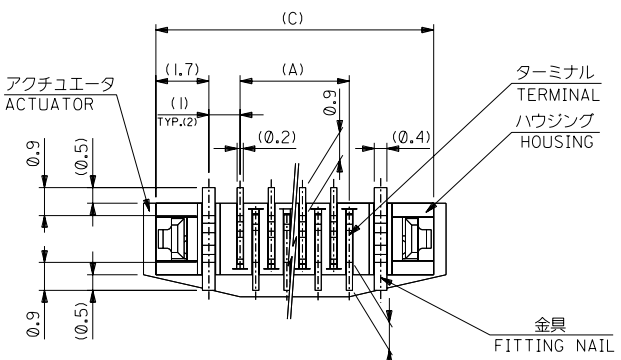
E

D

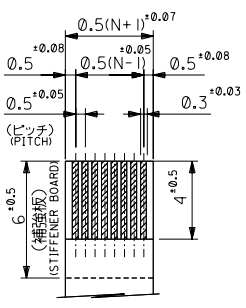
C

B

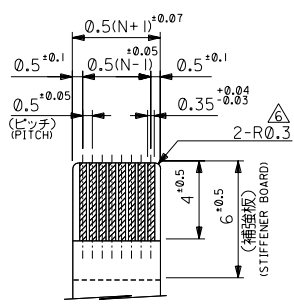
25
52559-045
MXJ-54



下面図
BOTTOM VIEW



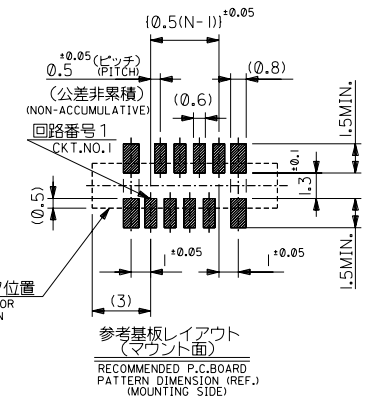
適合 FPC 推奨寸法
APPLICABLE FPC
RECOMMENDED DIMENSION.
(仕上がり厚さ: 0.3±0.05)
(THICKNESS: 0.3±0.05)



適合 FPC 推奨寸法
APPLICABLE FPC
RECOMMENDED DIMENSION.
(仕上がり厚さ: 0.3±0.05)
(THICKNESS: 0.3±0.05)

FPCについて:
打抜き方向は導体側から補強板側を推奨致します。
補強フィルム材質はポリイミドを推奨致します。
接着剤は熱硬化接着剤を推奨致します。

ABOUT FPC:
RECOMMENDED PUNCHER DIRECTION: FROM CONDUCTOR SIDE TO STIFFENER BOARD SIDE.
RECOMMENDED MATERIAL:
STIFFENER FILM: POLYIMIDE
BONDING AGENT: THERMOSETTING BONDING AGENT



25.7	24.9	20.65	19.5	52559-40	19	40
23.7	22.9	18.65	17.5		-36	36
22.2	21.4	17.15	16.0		-33	33
21.7	20.9	16.65	15.5		-32	32
21.2	20.4	16.15	15.0		-31	31
20.7	19.9	15.65	14.5		-30	30
20.2	19.4	15.15	14.0		-29	29
19.7	18.9	14.65	13.5		-28	28
19.2	18.4	14.15	13.0		-27	27
18.7	17.9	13.65	12.5		-26	26
18.2	17.4	13.15	12.0		-25	25
17.7	16.9	12.65	11.5		-24	24
17.2	16.4	12.15	11.0		-23	23
16.7	15.9	11.65	10.5		-22	22
16.2	15.4	11.15	10.0		-21	21
15.7	14.9	10.65	9.5		-20	20
15.2	14.4	10.15	9.0		-19	19
14.7	13.9	9.65	8.5		-18	18
14.2	13.4	9.15	8.0		-17	17
13.7	12.9	8.65	7.5		-16	16
13.2	12.4	8.15	7.0		-15	15
12.7	11.9	7.65	6.5		-14	14
12.2	11.4	7.15	6.0		-13	13
11.7	10.9	6.65	5.5		-12	12
11.2	10.4	6.15	5.0		-11	11
10.7	9.9	5.65	4.5		-10	10
10.2	9.4	5.15	4.0		-09	9
9.7	8.9	4.65	3.5		-08	8
8.7	7.9	3.65	2.5	52559-06	19	6
D	C	B	(A)	MATERIAL NO.	種数	CTY.

REV. NO.	REVISED	MATERIAL	注記参照
DRWN: K. TOJO	DRWN: K. TOJO	FINISH	SEE NOTES
CHK: H. SALAB	CHK: H. SALAB	WIRE RANGE	
APPR: H. SALAB	APPR: H. SALAB	INS. RANGE	

GENERAL TOLERANCES: (UNLESS SPECIFIED)	SCALE	DESIGN UNITS	MODEL NO.	52559-045	DIMENSIONS:	SHT	REV
10 UNDER 未満	1:1	mm	PROJ	ANGLE	mm	2	1
10 OVER 以上		mm	PROJ	PROJ	mm	2	1
30 UNDER 未満		mm	PROJ	PROJ	mm	2	1
30 OVER 以上		mm	PROJ	PROJ	mm	2	1
ANGLE 角度		mm	PROJ	PROJ	mm	2	1
DRAWN BY & DATE		CHECKED BY & DATE		APPROVED BY & DATE		CAD FILENAME	
H. SHIMABUKURO '04/01/07		K. TOJO '04/01/07		H. SALAB '04/01/07		SD-52559-045.S02	
MATERIAL NO.		DRAWING NO.		SHEET NO.		SIZE	
SEE CHART		SD-52559-045		2 OF 2		B	
DRAWING CONTAINS INFORMATION THAT IS PROPRIETARY TO MOLEX INCORPORATED AND SHOULD NOT BE USED WITHOUT WRITTEN PERMISSION.							

EN-02J(097) MXJ-54