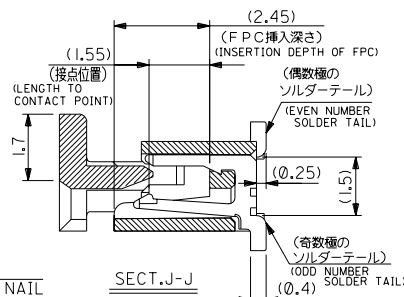
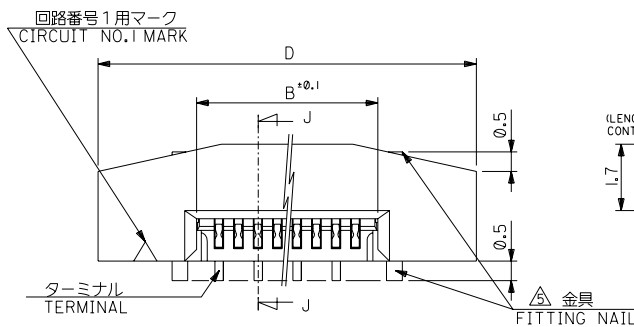
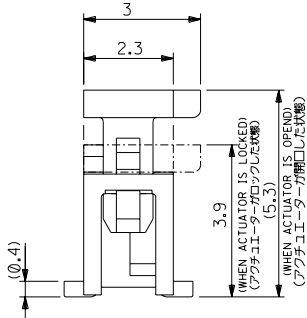
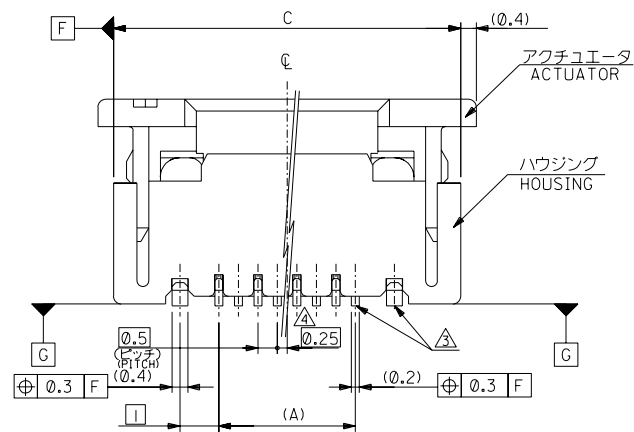


DWG. NO. SD-52559-044



注記 NOTES

- 使用材料 : MATERIAL
  - ハウジング : 46NYLON UL94V-0
  - ハウジング : PHOS-BRO.TIN-LEAD(9:1) 3~5 MICRON METER OVER COPPER 1~2.5 MICRON METER PLATED
  - アクチュエータ : PPS UL94V-0
  - ターミナル : リン青銅, 銅下地半田メッキ (t=0.2)
  - ターミナル : PHOS-BRO.TIN-LEAD(9:1) 3~5 MICRON METER OVER COPPER 1~2.5 MICRON METER PLATED
  - 金具 : リン青銅, 銅下地半田メッキ (t=0.4)
  - 金具 : PHOS-BRO.TIN-LEAD(9:1) 3~5 MICRON METER OVER COPPER 1~2.5 MICRON METER PLATED
- エンボステープ組付け時は、アクチュエータがロックした状態とする。  
 IN THE PACKAGE, ACTUATOR OF PART NO.52559-\*\*\*17 SHOULD BE LOCKED.  
 ソルダテール半田付け面のズレ量、及び金具半田付け面のズレ量は、基準面 G に対し上方向 0.05 MAX.、下方向 0.15 MAX.とする。  
 MISALIGNMENT OF SOLDER TAILS AND FITTING NAILS FROM UPPER DIRECTION: 0.05 MAX., LOWER DIRECTION: 0.15 MAX.  
 偶数種に適用。  
 APPLY FOR EVEN CIRCUIT.  
 パターンはくり止め用金具。  
 FITTING NAIL FOR PREVENTION OF PEELING OF P.C.B. PATTERN.  
 R0.3は、F.P.Cの導体部にかからないこと。  
 R0.3 MUST NOT BE OVERLAPPED TO PATTERN OF FPC.

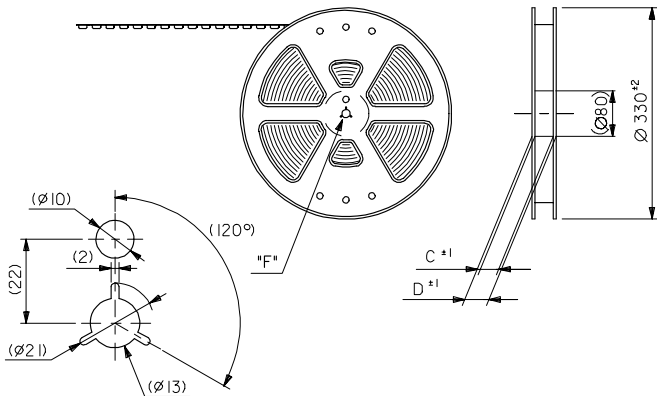


DO NOT SCALE DRAWING	E84NO. DRWN: CHFK: APPR:	E83NO. DRWN: CHFK: APPR:	E82NO. DRWN: CHFK: APPR:	E81NO. DRWN: CHFK: APPR:	REDRAWN E80NO. J2003-2624 DRWN: K.TOJO CHK: H. SAKABE APPR: H. SAKABE	MATERIAL 材料 注記参照 SEE NOTES	FINISH 仕上げ —	WIRE RANGE 適用電線範囲 —	INS. RANGE 被覆外径 —	GENERAL TOLERANCES: (UNLESS SPECIFIED) — 一般公差	SCALE —	DESIGN UNITS <input checked="" type="checkbox"/> mm <input type="checkbox"/> INCH	<input checked="" type="checkbox"/> 2ND ANGLE PROJECTION	DIMENSIONS: <input type="checkbox"/> mm <input type="checkbox"/> INCH <input checked="" type="checkbox"/> mm ONLY	SHT	REV
										10 UNDER 未満 10 OVER 以上 30 UNDER 未満 30 OVER 以上	+0.2 +0.25 +0.3	DRAWN BY & DATE K. TOJO '03/04/17	CHECKED BY & DATE H. SAKABE '03/04/17	APPROVED BY & DATE H. SAKABE '03/04/17	CAD FILENAME SD-52559-044.S01	MATERIAL NO. 52559-***17



10 9 8 7 6 5 4 3 2 1

引き出し方向  
PULL OUT  
DIRECTION



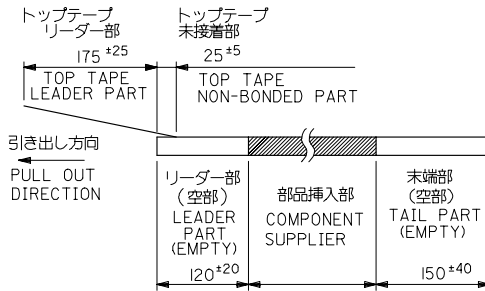
DETAIL "F"

5. 材料  
 キャリアテープ: ポリプロピレン (PP)  
 トップテープ: PET, PE, PEF  
 リール: ポリスチレン (PS) <リサイクル材を含む>

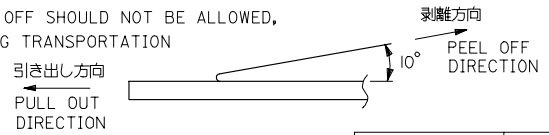
MATERIAL CARRIER TAPE: POLYPROPYLENE  
 TOP TAPE: PET, PE, PEF  
 REEL: POLYSTYRENE (PS)  
 <RECYCLE MATERIAL CONTAINED>

注記 NOTES

- 製品番号 52559-\*\*\*17 の梱包状態はアクチュエータがロックした状態とする。  
 詳細寸法については図面 SD-52559-\*\*\*17 を参照下さい。  
 IN THE PACKAGE, ACTUATOR OF PART NO.52559-\*\*\*17 SHOULD BE LOCKED RE DETAILED DIMENSIONS, SEE SD-52559-\*\*\*17
- 梱包数量: 1000個/リール  
 NUMBER OF CONNECTORS: 1000PCS/REEL
- リードテープ長さ LEAD TAPE LENGTH



- トップテープの剥離強度: (剥離方向は下図参照)  
 0.1N~0.7N (10.2gf~71.4gf) 尚、本規格値は、出荷時に適用。  
 (但し、輸送時に剥離が発生しない事。)  
 PEELING OFF FORCE OF TOP TAPE  
 0.1N~0.7N (10.2gf~71.4gf) (PEELING DIRECTION AS SHOWN IN FOLLOWING FIG.)  
 THIS REQUIREMENT SHOULD BE APPLIED AT SHIPMENT  
 PEEL OFF SHOULD NOT BE ALLOWED,  
 DURING TRANSPORTATION



REVISED EC NO: J2006-3700 2006/06/16 DRAWN: HABEI CHK: KATOYODA 2006/06/19 APP: NUKITA 2006/06/22	GENERAL TOLERANCES (UNLESS SPECIFIED)		DIMENSION STYLE MM ONLY		SCALE ---	52559-***90	MODEL NO.	
	10 UNDER	± ---	DRAWN BY S. KAJIYUMA	DATE '91/11/13	TITLE	0.5 FPC CONN ASSY ZIF SMT ST EMBSTP PKG	THIRD ANGLE PROJECTION	
	10 OVER 30 UNDER	± ---	CHECKED BY S. KUNISHI	DATE '00/12/20	MOLEX MOLEX INCORPORATED		SD-52559-051	SHEET NO. 1 OF 4
	30 OVER	± ---	APPROVED BY M. FUKUSHIMA	DATE '00/12/20				
ANGULAR	± --- °	MATERIAL NO. SEE CHART		DOCUMENT NO.				
DRAFT WHERE APPLICABLE MUST REMAIN WITHIN DIMENSIONS			SIZE A3		THIS DRAWING CONTAINS INFORMATION THAT IS PROPRIETARY TO MOLEX INCORPORATED AND SHOULD NOT BE USED WITHOUT WRITTEN PERMISSION			

10 9 8 7 6 5 4 3 2 1

F F

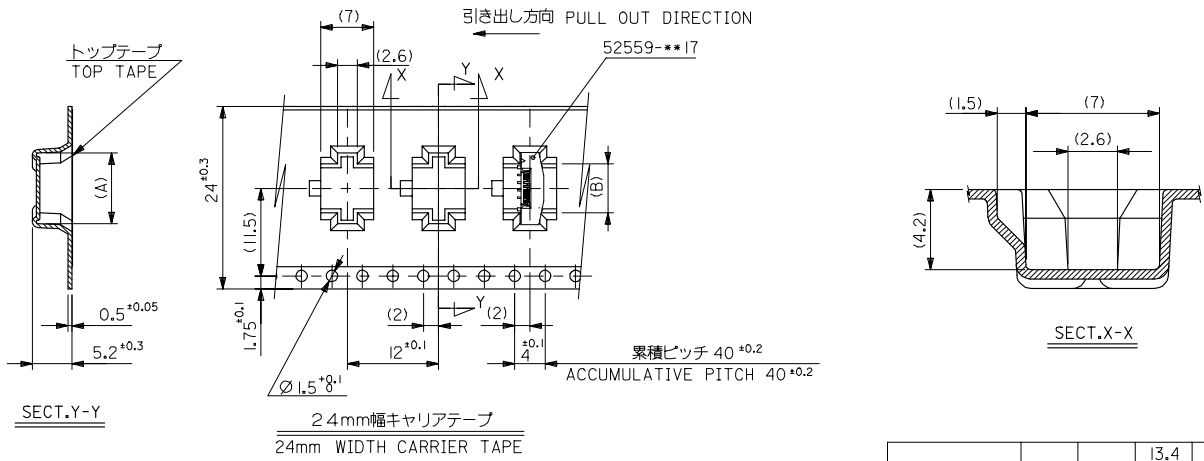
E E

D D

C C

B B

A A



24	29.4	25.4	13.4	16.3	52559-2290	22
			12.4	15.3	52559-2090	20
			11.9	14.8	52559-1990	19
			11.4	14.3	52559-1890	18
			10.4	13.3	52559-1690	16
			9.9	12.8	52559-1590	15
			9.4	12.3	52559-1490	14
			8.9	11.8	52559-1390	13
			8.4	11.3	52559-1290	12
			7.9	10.8	52559-1190	11
			6.4	9.3	52559-0890	8
			5.4	8.3	52559-0690	6

REVISED IEC NO: J2006-3700 2006/06/16 (DRAWN) MABEI 2006/06/19 (CHK) KATOYODA 2006/06/22 (APP) NUKITA	GENERAL TOLERANCES (UNLESS SPECIFIED)		DIMENSION STYLE MM ONLY		SCALE ---	DESIGN UNITS METRIC	THIRD ANGLE PROJECTION
	10 UNDER	± ---	DRAWN BY S. KAJINUMA	DATE '91/11/13	TITLE 0.5 FPC CONN ASSY ZIF SMT ST EMBSTP PKG  MOLEX INCORPORATED DOCUMENT NO. SD-52559-051 SHEET NO. 2 OF 4		
	10 OVER 30 UNDER	± ---	CHECKED BY S. KUNISHI	DATE '00/12/20			
	30 OVER	± ---	APPROVED BY M. FUKUSHIMA	DATE '00/12/20			
	ANGULAR	± --- °	MATERIAL NO. SEE CHART				
DRAFT WHERE APPLICABLE MUST REMAIN WITHIN DIMENSIONS		SIZE A3					

fb\_frame\_A3\_1\_ME\_S  
Rev. D 2004/04/02

9 8 7 6 5 4 3 2 1 EN-02JA(021)

10 9 8 7 6 5 4 3 2 1

F

E

D

C

B

A

F

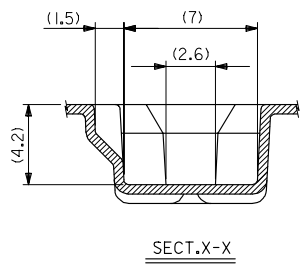
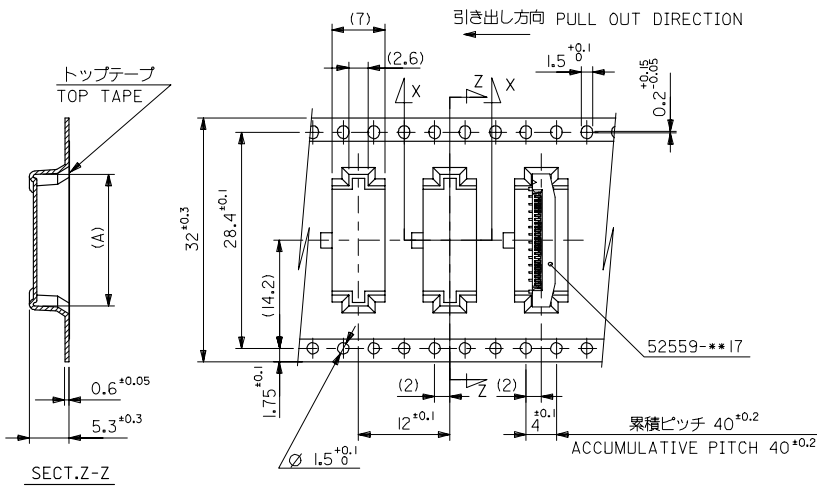
E

D

C

B

A



32mm幅キャリアテープ  
32mm WIDTH CARRIER TAPE

32	37.4	33.4	18.9	21.8	52559-3390	33
			18.4	21.3	52559-3290	32
			17.4	20.3	52559-3090	30
			16.4	19.3	52559-2890	28
			15.4	18.3	52559-2690	26
			14.9	17.8	52559-2590	25
			14.4	17.3	52559-2490	24

REVISED IEC NO. J2006-3700 2006/06/16 DRAWN: H. NABEI 2006/06/19 CHKD: K. TOYODA 2006/06/22 APPR: N. KIKITA	GENERAL TOLERANCES (UNLESS SPECIFIED)	DIMENSION STYLE MM ONLY	SCALE ---	DESIGN UNITS METRIC	THIRD ANGLE PROJECTION	
	10 UNDER ± ---	DRAWN BY S. KAJI INUMA	DATE '91/11/13	TITLE 0.5 FPC CONN ASSY ZIF SMT ST EMBSTP PKG		
	10 OVER 30 UNDER ± ---	CHECKED BY S. KUNISHI	DATE '00/12/20			
	30 OVER ± ---	APPROVED BY M. FUKUSHIMA	DATE '00/12/20			
	ANGULAR ± --- °	MATERIAL NO. SEE CHART	DOCUMENT NO. SD-52559-051			
DRAFT WHERE APPLICABLE MUST REMAIN WITHIN DIMENSIONS	SIZE A3	THIS DRAWING CONTAINS INFORMATION THAT IS PROPRIETARY TO MOLEX INCORPORATED AND SHOULD NOT BE USED WITHOUT WRITTEN PERMISSION				

10 9 8 7 6 5 4 3 2 1

F

E

D

C

B

A

F

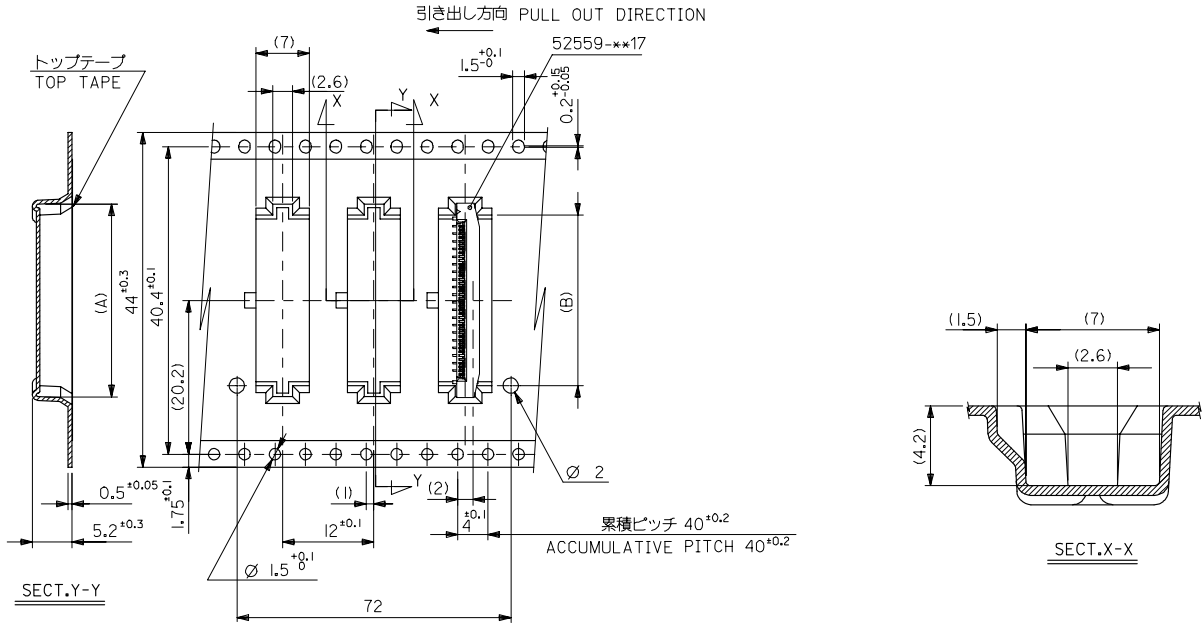
E

D

C

B

A



44mm 幅キャリアテープ  
44mm WIDTH CARRIER TAPE

44	49.4	45.4	22.4	25.3	52559-4090	40
キャリアテープ幅 CARRIER TAPE WIDTH	D	C	(B)	(A)	MATERIAL NO.	CIRCUIT NO.
					52559-3690	36

REVISED IEC NO: J2006-3700 2006/06/16 DRW:HNABEI 2006/06/19 CHK:KTOYODA 2006/06/19 APPR:NIKIITA 2006/06/17	GENERAL TOLERANCES (UNLESS SPECIFIED)		DIMENSION STYLE MM ONLY		SCALE ---	DESIGN UNITS METRIC	THIRD ANGLE PROJECTION
	10 UNDER	± ---	DRAWN BY S. KAJINUMA	DATE '91/11/13	TITLE 0.5 FPC CONN ASSY ZIF SMT ST EMBSTP PKG  MOLEX INCORPORATED DOCUMENT NO. SD-52559-051 SHEET NO. 4 OF 4		
	10 OVER 30 UNDER	± ---	CHECKED BY S. KUNISHI	DATE '00/12/20			
	30 OVER	± ---	APPROVED BY M. FUKUSHIMA	DATE '00/12/20			
	ANGULAR	± --- °	MATERIAL NO.	SEE CHART			
DRAFT WHERE APPLICABLE MUST REMAIN WITHIN DIMENSIONS		SIZE A3	THIS DRAWING CONTAINS INFORMATION THAT IS PROPRIETARY TO MOLEX INCORPORATED AND SHOULD NOT BE USED WITHOUT WRITTEN PERMISSION				

9

8

7

6

5

4

3

2