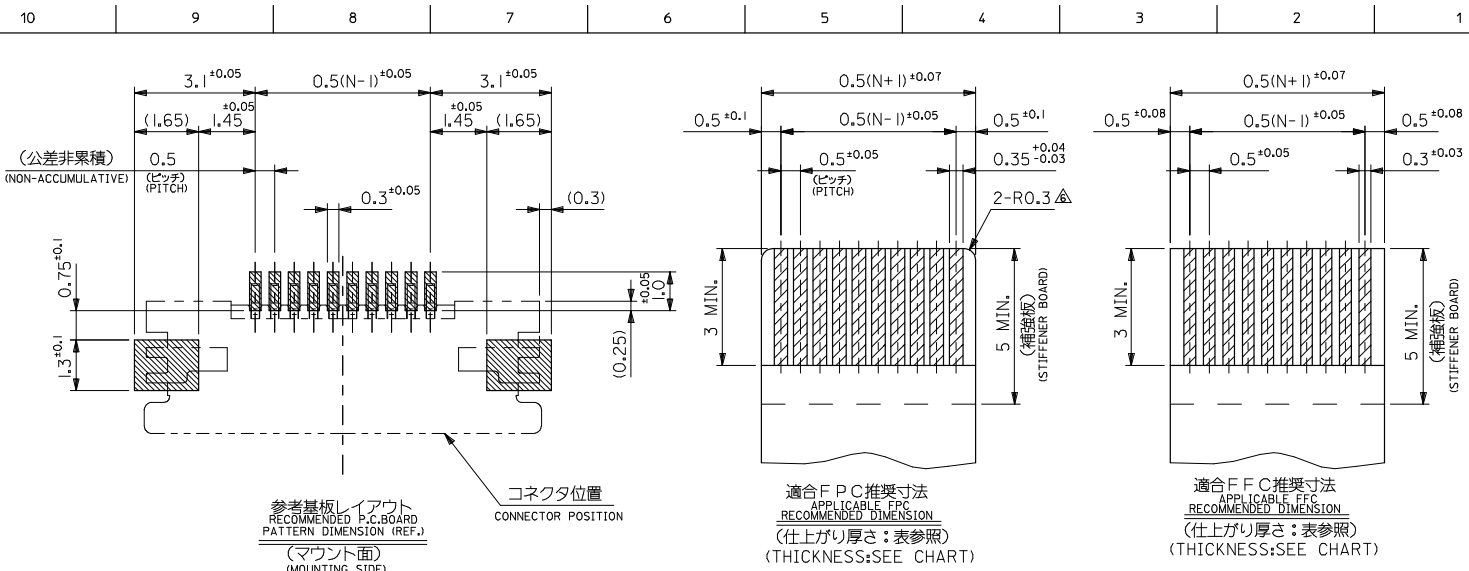


THICKNESS OF FPC	EMBOSSED TAPE				製品番号 ORDER No. 54548-***19	機数 MATERIAL No. CIRCUIT
	D	C	B	A		
0.28 ±0.03	13.65	17	12.5	18.2	54548-2670	54548-2619
	12.65	16	11.5	17.2	54548-2470	54548-2419
	11.65	15	10.5	16.2	54548-2270	54548-2219
	11.15	14.5	10	15.7	54548-2170	54548-2119
	10.65	14	9.5	15.2	54548-2070	54548-2019
	10.15	13.5	9	14.7	54548-1970	54548-1919
	9.65	13	8.5	14.2	54548-1870	54548-1819
	9.15	12.5	8	13.7	54548-1770	54548-1719
	8.65	12	7.5	13.2	54548-1670	54548-1619
	8.15	11.5	7	12.7	54548-1570	54548-1519
	7.65	11	6.5	12.2	54548-1470	54548-1419
	7.15	10.5	6	11.7	54548-1370	54548-1319
	6.65	10	5.5	11.2	54548-1270	54548-1219
	6.15	9.5	5	10.7	54548-1170	54548-1119
	5.65	9	4.5	10.2	54548-1070	54548-1019
5.15	8.5	4	9.7	54548-0970	54548-0919	
4.65	8	3.5	9.2	54548-0870	54548-0819	
4.15	7.5	3	8.7	54548-0770	54548-0719	
3.65	7	2.5	8.2	54548-0670	54548-0619	
3.15	6.5	2	7.7	54548-0570	54548-0519	
2.65	6.0	1.5	7.2	54548-0470	54548-0419	

REVISED EC NO: J2008-4048 DRAWN BY: HIRAHARA CHKD: THARYAMA APPR: NIKITA	GENERAL TOLERANCES (UNLESS SPECIFIED)		DIMENSION STYLE MM ONLY		SCALE 10:1	DESIGN UNITS METRIC	THIRD ANGLE PROJECTION
	10 UNDER	±0.2	DRAWN BY Y. WADA	DATE 2004/01/09	TITLE 0.5 FPC CONN ZIF HSG ASSY FOR SMT RA BTM CONT -LEAD FREE-		
	10 OVER 30 UNDER	±0.25	CHECKED BY M. SASAO	DATE 2004/01/09	MOLEX INCORPORATED		
	30 OVER	±0.3	APPROVED BY M. SASAO	DATE 2004/01/09	MATERIAL NO. SEE TABLE	DOCUMENT NO. SD-54548-037	SHEET NO. 1 OF 2
	ANGULAR ±3° DRAFT WHERE APPLICABLE MUST REMAIN WITHIN DIMENSIONS		THIS DRAWING CONTAINS INFORMATION THAT IS PROPRIETARY TO MOLEX INCORPORATED AND SHOULD NOT BE USED WITHOUT WRITTEN PERMISSION				



FPC/FFC について:  
 打ち置き方向は導体側から補強板側を推奨します。  
 導体部については軟銅箔35μmまたは50μmを推奨します。  
 ABOUT FPC/FFC  
 RECOMMENDED PUNCHER DIRECTION : FROM CONDUCTOR SIDE TO STIFFENER FILM SIDE.  
 RECOMMENDED CONDUCTOR SPEC :  
 THICKNESS OF SOFT COPPER FOIL : 35 MICROMETER OR 50 MICROMETER.

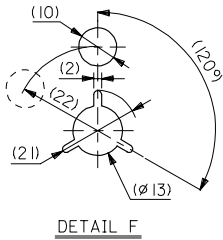
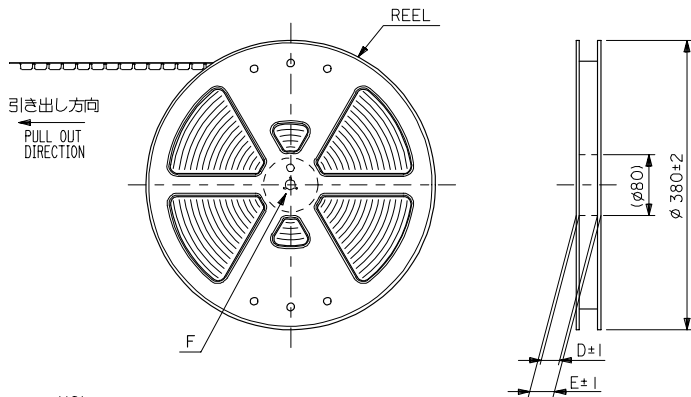
FPC について:  
 補強フィルム材質はポリイミドを推奨します。ベースフィルムは25μmを推奨します。  
 接着剤は熱硬化接着剤を推奨します。  
 尚、接着剤の接点部への付着は導通不良の原因になりますので、染み出しが無い様、お願い致します。  
 ABOUT FPC  
 RECOMMENDED MATERIAL/THICKNESS.  
 STIFFENER FILM : POLYIMIDE  
 BASE FILM THICKNESS : 25μm  
 BONDING AGENT : THERMOSETTING BONDING AGENT  
 PLEASE PUT APPROPRIATE AMOUNT OF ADHESIVE ON THE CONTACT AREA BECAUSE THE EXTRA ADHESIVE MAY CAUSE THE DEFECT IN ELECTRICAL CONTINUITY.

注記 NOTES

- 使用材料 MATERIAL  
 ハウジング : LCP, UL94V-0  
 HOUSING  
 アクチュエータ : PPS, UL94V-0  
 ACTUATOR  
 ターミナル : リン青銅 (t=0.2)、ニッケル下地 鍍ビスマスメッキ  
 TERMINAL PHOSPHOR BRONZE, TIN-BISMUTH OVER NICKEL PLATING.  
 金具 : リン青銅 (t=0.2)、ニッケル下地 鍍メッキ  
 FITTING NAIL PHOSPHOR BRONZE, PURE-TIN OVER NICKEL PLATING.
- エンボステーブ梱包時は、アクチュエータがロックした状態とする。  
 IN THE PACKAGE, ACTUATOR OF PART NO.54548-\*\*19 SHOULD BE LOCKED.
- ソルダーテール半田付面のスレ量、及び金具半田付面のスレ量は、基準面 Z に対し上方向 0MAX、下方向 0.15MAX、とし  
 相互のバラツキ量は 0.1MAX、とする。  
 MISALIGNMENT OF SOLDER TAILS AND FITTING NAILS FROM Z  
 UPPER DIRECTION 0 MAX., LOWER DIRECTION: 0.15 MAX.  
 OFFSET BETWEEN UPPER AND LOWER 0.1 MAX.
- 偶数欄に適用。  
 APPLY FOR EVEN CIRCUIT.
- パターンのくり止め用金具  
 FITTING NAIL FOR PREVENTION OF PEELING OF P.C.B. PATTERN.
- R0.3はFPC導体部にかけられないこと  
 R0.3 MUST NOT BE OVERLAPPED TO PATTERN OF FPC.
- N: 極数 N: CIRCUIT.

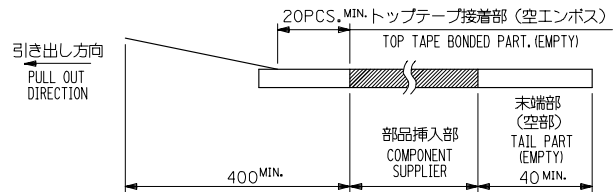
REVISED EC NO: J2008-4048 DRAWN BY: 2008/06/13 CHKD: THARYAMA 2008/06/16 APPR: NIKITA 2008/06/16	GENERAL TOLERANCES (UNLESS SPECIFIED)		DIMENSION STYLE MM ONLY		SCALE ---	DESIGN UNITS METRIC	MODEL No. 54548-**19
	10 UNDER	±0.2	DRAWN BY Y. WADA		DATE 2004/01/09		TITLE 0.5 FPC CONN ZIF HSG ASSY FOR SMT RA BTM CONT -LEAD FREE-
	10 OVER 30 UNDER	±0.25	CHECKED BY M. SASAO		DATE 2004/01/09		
	30 OVER	±0.3	APPROVED BY M. SASAO		DATE 2004/01/09		MOLEX INCORPORATED
ANGULAR ±3°		MATERIAL NO. SEE SHEET 1		DOCUMENT NO. SD-54548-037		SHEET NO. 2 OF 2	
DRAFT WHERE APPLICABLE MUST REMAIN WITHIN DIMENSIONS			SIZE A THIS DRAWING CONTAINS INFORMATION THAT IS PROPRIETARY TO MOLEX INCORPORATED AND SHOULD NOT BE USED WITHOUT WRITTEN PERMISSION				

10 9 8 7 6 5 4 3 2 1

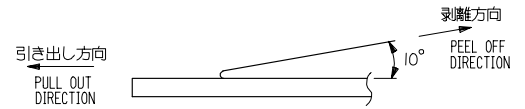


NOTES

- 製品詳細寸法については図面 SD-54548-037 を参照下さい。  
RE DETAILED DIMENSION, SEE SD-54548-037.
- 梱包数量：3000個/リール  
NUMBER OF CONNECTORS : 3000PCS/REEL
- リードテープ長さ LEAD TAPE LENGTH



- トップテープの剥離強度：0.1N ~ 1.3N { 10gf ~ 130gf }  
(剥離方向は下図参照)  
尚、本規格値は出荷時に適用。(但し、輸送時に剥離が発生しないこと。)  
PEELING OFF FORCE OF TOP TAPE : 0.1N ~ 1.3N (10gf ~ 130gf)  
(PEELING DIRECTION AS SHOWN IN FOLLOWING FIG.)  
THIS REQUIREMENT SHOULD BE APPLIED AT SHIPMENT.  
PEEL OFF SHOULD NOT BE ALLOWED , DURING TRANSPORTATION.



- 材料(MATERIAL)  
キャリアテープ(CARRIER TAPE)：ポリプロピレン(POLYPROPYLENE)  
トップテープ(TOPTAPE)：PET , PE , PEF  
リール(REEL)：ポリスチレン(PS) <リサイクル材を含む>  
POLYSTYREN(PS) <RECYCLE MATERIAL CONTAINED>
- 本製品は54548-\*\*-90の鉛フリー品である。  
THIS PRODUCT IS LEAD FREE OF 54548-\*\*-90.

REVISED REV. NO. J2005-2516 2005/02/28 DRAWN BY Y. WADA 2005/02/28 CHKD BY CHIKO KUYODA 2005/03/07 APPR. BY M. SASAO 2005/03/07	GENERAL TOLERANCES (UNLESS SPECIFIED)		DIMENSION STYLE MM ONLY		54548-**-70		MODEL NO.
	10 UNDER ±0.2		DRAWN BY Y. WADA		SCALE ---	DESIGN UNITS METRIC	THIRD ANGLE PROJECTION
	10 OVER 30 UNDER ±0.25		DATE 2004/01/09		TITLE EMBSTP PKG FOR 0.5 FPC CONN ZIF HSG ASSY -LEAD FREE-		
	30 OVER ±0.3		CHECKED BY M. SASAO				
ANGULAR ±3 °		DATE 2004/01/09		MOLEX INCORPORATED			SHEET NO. 1 OF 4
DRAFT WHERE APPLICABLE MUST REMAIN WITHIN DIMENSIONS		MATERIAL NO. SEE CHART		DOCUMENT NO. SD-54548-038		THIS DRAWING CONTAINS INFORMATION THAT IS PROPRIETARY TO MOLEX INCORPORATED AND SHOULD NOT BE USED WITHOUT WRITTEN PERMISSION	

10 9 8 7 6 5 4 3 2 1

F

E

D

C

B

A

F

E

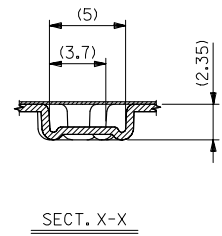
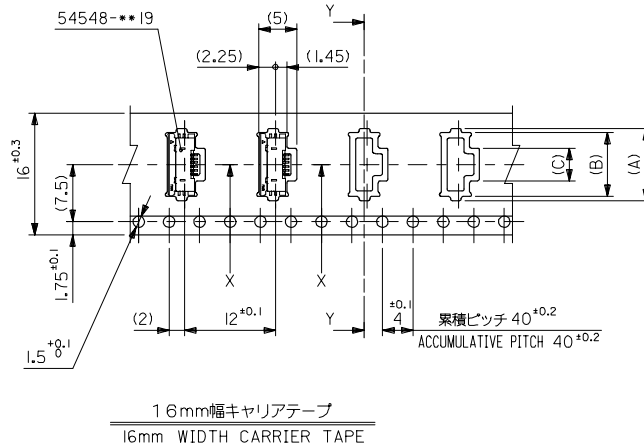
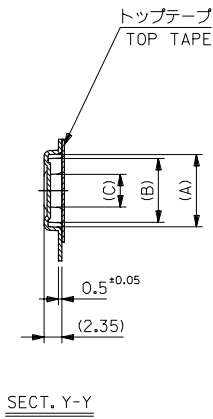
D

C

B

A

引き出し方向  
PULL OUT DIRECTION

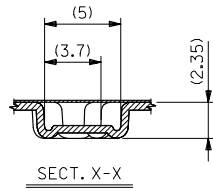
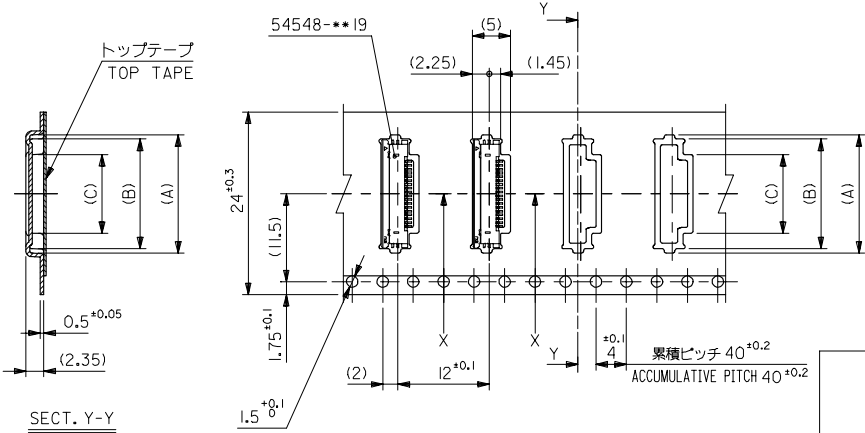


16	21.4	17.4	4.3	8.4	9.5	54548-0670	6
キャリアテープ幅 CARRIER TAPE WIDTH	E	D	3.8	7.9	9	54548-0570	5
			3.3	7.4	8.5	54548-0470	4
						製品番号 MATERIAL No.	極数 CIRCUIT

REVISED REV. NO. J2005-2516 2005/02/28 DRAWN BY Y. WADA 2005/02/28 CHKD BY CHIKO KATOYODA 2005/03/07 APPR. BY MIKI TA	GENERAL TOLERANCES (UNLESS SPECIFIED)		DIMENSION STYLE MM ONLY		SCALE 2:1	DESIGN UNITS METRIC	THIRD ANGLE PROJECTION
	10 UNDER	± 0.2	DRAWN BY Y. WADA	DATE 2004/01/09	TITLE EMBSTP PKG FOR 0.5 FPC CONN ZIF HSG ASSY -LEAD FREE-		
	10 OVER 30 UNDER	± 0.25	CHECKED BY M. SASAO	DATE 2004/01/09	MOLEX INCORPORATED		
	30 OVER	± 0.3	APPROVED BY M. SASAO	DATE 2004/01/09	DOCUMENT NO. SD-54548-038		
	ANGULAR	± 3 °	MATERIAL NO. SEE CHART		SHEET NO. 2 OF 4		
DRAFT WHERE APPLICABLE MUST REMAIN WITHIN DIMENSIONS			THIS DRAWING CONTAINS INFORMATION THAT IS PROPRIETARY TO MOLEX INCORPORATED AND SHOULD NOT BE USED WITHOUT WRITTEN PERMISSION				

10 9 8 7 6 5 4 3 2 1

引き出し方向  
PULL OUT DIRECTION



SECT. Y-Y

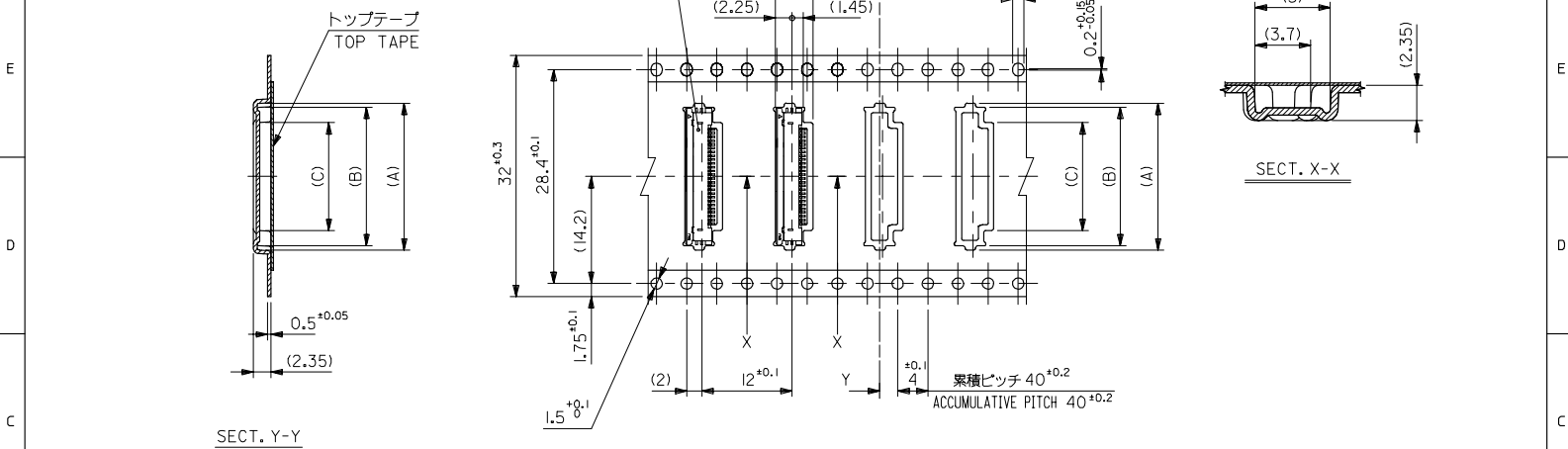
24mm幅キャリアテープ  
24mm WIDTH CARRIER TAPE

24	29.4	25.4	12.3	16.4	17.5	54548-2270	22		
			11.8	15.9	17	54548-2170	21		
			11.3	15.4	16.5	54548-2070	20		
			10.8	14.9	16	54548-1970	19		
			10.3	14.4	15.5	54548-1870	18		
			9.8	13.9	15	54548-1770	17		
			9.3	13.4	14.5	54548-1670	16		
			8.8	12.9	14	54548-1570	15		
			8.3	12.4	13.5	54548-1470	14		
			7.8	11.9	13	54548-1370	13		
			7.3	11.4	12.5	54548-1270	12		
			6.8	10.9	12	54548-1170	11		
			6.3	10.4	11.5	54548-1070	10		
5.8	9.9	11	54548-0970	9					
5.3	9.4	10.5	54548-0870	8					
4.8	8.9	10	54548-0770	7					
キャリアテープ幅 CARRIER TAPE WIDTH			E	D	(C)	(B)	(A)	製品番号 MATERIAL No.	極数 CIRCUIT

REVISED IEC NO. J2005-2516 2005/02/28 DRAWN BY Y. WADA 2004/01/09 CHK'D BY CHIKO KUYODA 2005/02/28 APPR'D BY NAOKI MIYATA 2005/03/07	GENERAL TOLERANCES (UNLESS SPECIFIED)		DIMENSION STYLE MM ONLY		SCALE 2:1	DESIGN UNITS METRIC	THIRD ANGLE PROJECTION	
	10 UNDER	±0.2	DRAWN BY Y. WADA	DATE 2004/01/09	TITLE EMBSTP PKG FOR 0.5 FPC CONN ZIF HSG ASSY -LEAD FREE-			
	10 OVER 30 UNDER	±0.25	CHECKED BY M. SASAO	DATE 2004/01/09				
	30 OVER	±0.3	APPROVED BY M. SASAO	DATE 2004/01/09	MOLEX INCORPORATED			
	ANGULAR	±3 °	MATERIAL NO.					
DRAFT WHERE APPLICABLE MUST REMAIN WITHIN DIMENSIONS			SEE CHART		THIS DRAWING CONTAINS INFORMATION THAT IS PROPRIETARY TO MOLEX INCORPORATED AND SHOULD NOT BE USED WITHOUT WRITTEN PERMISSION			

10 9 8 7 6 5 4 3 2 1

F ← 引き出し方向 PULL OUT DIRECTION



SECT. Y-Y

SECT. X-X

32mm幅キャリアテープ  
32mm WIDTH CARRIER TAPE

32	37.4	33.4	14.3	18.4	19.5	54548-2670	26
			13.3	17.4	18.5	54548-2470	24
キャリアテープ幅 CARRIER TAPE WIDTH	E	D	(C)	(B)	(A)	製品番号 MATERIAL No.	極数 CIRCUIT

REVISED IEC NO. J2005-2516 DRAWN BY CHIKO-KOYODA APPR. NIKIITA 2005/02/28 2005/02/28 2005/03/07	GENERAL TOLERANCES (UNLESS SPECIFIED)		DIMENSION STYLE MM ONLY		SCALE 2:1	DESIGN UNITS METRIC	MODEL NO. 54548-**-70	THIRD ANGLE PROJECTION
	10 UNDER	±0.2	DRAWN BY Y. WADA	DATE 2004/01/09	TITLE EMBSTP PKG FOR 0.5 FPC CONN ZIF HSG ASSY -LEAD FREE-			
	10 OVER 30 UNDER	±0.25	CHECKED BY M. SASAO	DATE 2004/01/09	MOLEX INCORPORATED			
	30 OVER	±0.3	APPROVED BY M. SASAO	DATE 2004/01/09	DOCUMENT NO. SD-54548-038			
	ANGULAR ±3 °	DRAFT WHERE APPLICABLE MUST REMAIN WITHIN DIMENSIONS		MATERIAL NO. SEE CHART	SHEET NO. 4 OF 4		THIS DRAWING CONTAINS INFORMATION THAT IS PROPRIETARY TO MOLEX INCORPORATED AND SHOULD NOT BE USED WITHOUT WRITTEN PERMISSION	

Rev. D 2004/04/02 9 8 7 6 5 4 3 2 1 EN-02JA(021)