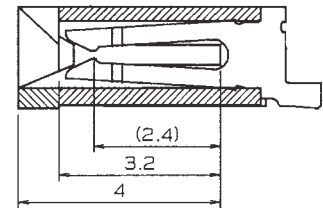
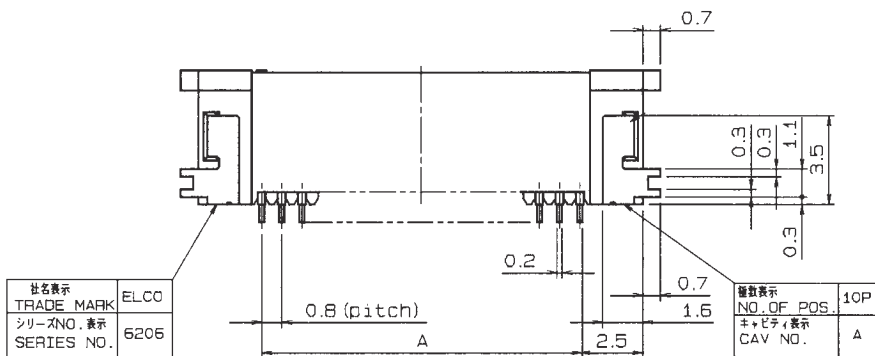
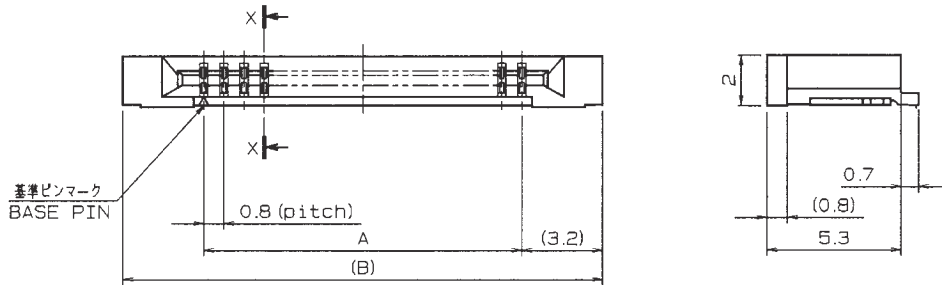


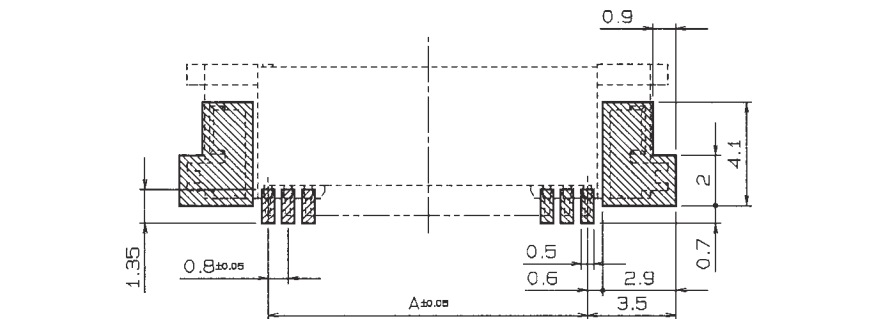
0.8mm Pitch
SERIES

6206

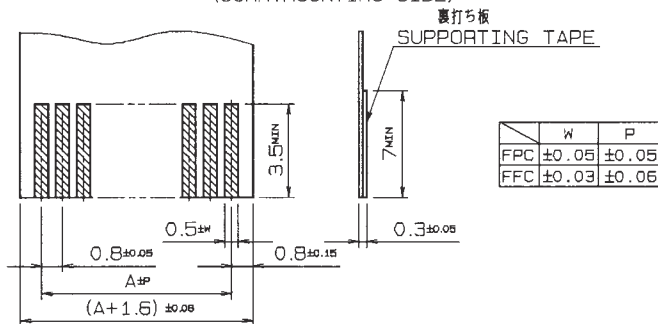
0.8mmピッチ NON-ZIF RA SMT 両面接点
0.8mmPitch LIF RA SMT Dual-sided contact



SECT X-X



基板取付け寸法
MOUNTING LAYOUT
(コネクタ搭載面側)
(CONN. MOUNTING SIDE)



適合 FFC/FPC 寸法
RECOMMENDED APPLICABLE FPC LAYOUT

| 極数 NO. OF POS. | A | B |
|----------------------|-------|-------|
| 4 | 2.40 | 8.80 |
| 5 | 3.20 | 9.60 |
| 6 | 4.00 | 10.40 |
| 7 | 4.80 | 11.20 |
| 8 | 5.60 | 12.00 |
| 9 | 6.40 | 12.80 |
| 10 | 7.20 | 13.60 |
| 11 | 8.00 | 14.40 |
| 12 | 8.80 | 15.20 |
| 13 | 9.60 | 16.00 |
| 14 | 10.40 | 16.80 |
| 15 | 11.20 | 17.60 |
| 16 | 12.00 | 18.40 |
| 17 | 12.80 | 19.20 |
| 18 | 13.60 | 20.00 |
| 19 | 14.40 | 20.80 |
| 20 | 15.20 | 21.60 |

注文コード ORDERING CODE

04 6206 OXX 000 800+

RoHS 対応品

RoHS Compliant Product

生産対応可能極数については、営業部にご確認願います。
Feel free to contact our sales department for available numbers of positions.

スズ銅めっき Sn-Cu Plated

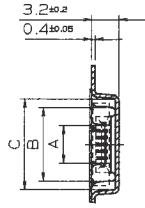
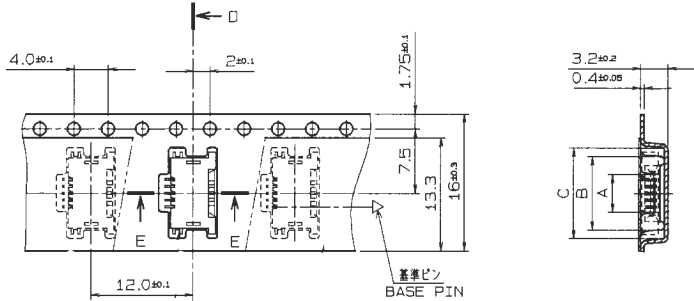
極数 NUMBER OF POSITIONS

0.8mm Pitch

SERIES

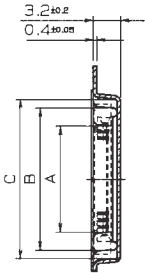
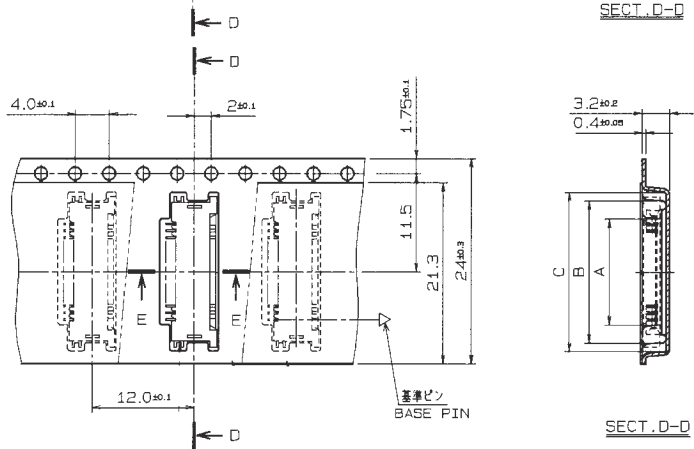
6206

エンボス梱包品
Tape and Reel Package



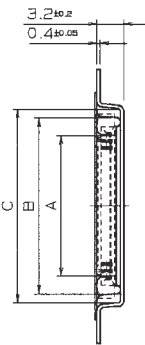
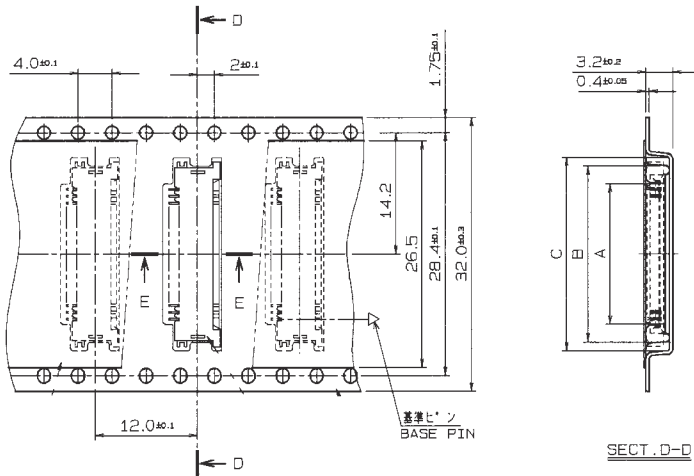
SECT. D-D

| 型番 ASSEMBLY NUMBER | 極数 NO. OF POS | A | B | C |
|----------------------|---------------|-----|-----|------|
| 04 6206 004 000 800+ | 4 | 3.6 | 7.8 | 9.8 |
| 04 6206 005 000 800+ | 5 | 4.4 | 8.6 | 10.6 |



SECT. D-D

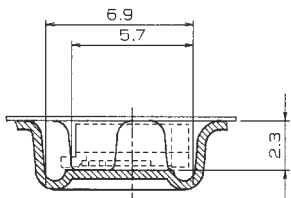
| 型番 ASSEMBLY NUMBER | 極数 NO. OF POS | A | B | C |
|----------------------|---------------|------|------|------|
| 04 6206 006 000 800+ | 6 | 5.2 | 9.4 | 11.4 |
| 007 | 7 | 6.0 | 10.2 | 12.2 |
| 008 | 8 | 6.8 | 11.0 | 13.0 |
| 009 | 9 | 7.6 | 11.8 | 13.8 |
| 010 | 10 | 8.4 | 12.6 | 14.6 |
| 011 | 11 | 9.2 | 13.4 | 15.4 |
| 012 | 12 | 10.0 | 14.2 | 16.2 |
| 013 | 13 | 10.8 | 15.0 | 17.0 |
| 014 | 14 | 11.6 | 15.8 | 17.8 |
| 04 6206 015 000 800+ | 15 | 12.4 | 16.6 | 18.6 |



SECT. D-D

| 型番 ASSEMBLY NUMBER | 極数 NO. OF POS | A | B | C |
|----------------------|---------------|------|------|------|
| 04 6206 016 000 800+ | 16 | 13.2 | 17.4 | 19.4 |
| 017 | 17 | 14.0 | 18.2 | 20.2 |
| 018 | 18 | 14.8 | 19.0 | 21.0 |
| 019 | 19 | 15.6 | 19.8 | 21.8 |
| 04 6206 020 000 800+ | 20 | 16.4 | 20.6 | 22.6 |

生産対応可能極数については、営業部にご確認願います。
Feel free to contact our sales department for available numbers of positions.



SECT. E-E

注文コード ORDERING CODE
04 6206 0XX 000 800+

RoHS 対応品
RoHS Compliant Product

極数 NUMBER OF POSITIONS

スズ銅めっき Sn-Cu Plated

梱包数量 1000個/リール
PACKING QUANTITY 1000/Reel