

4

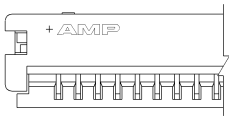
3

2

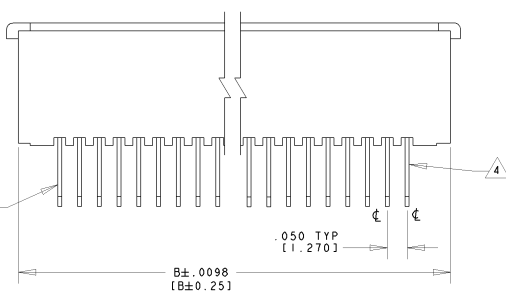
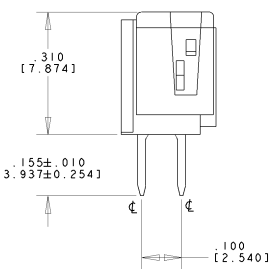
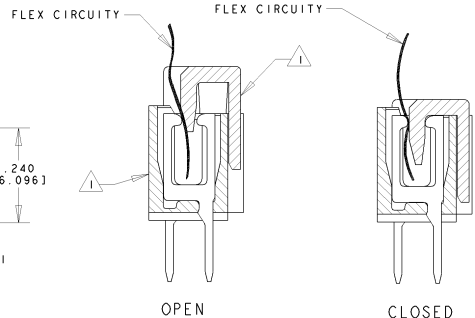
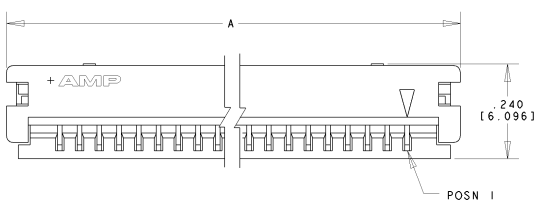
1

THIS DRAWING IS UNPUBLISHED. RELEASED FOR PUBLICATION .19
 BY AMP INCORPORATED. ALL RIGHTS RESERVED.

LOC	DIST	REVISIONS					
		P	LTR	DESCRIPTION	DATE	DWN	APVD
DY	-						
		N2		REVISED ECR-10-014129	2JUL10	LYM	LSF



VIEW 'A'
FOR PN 5-487576-0 & -1 ONLY



- 1. FLAME RETARDANT THERMOPLASTIC; COLOR-BLACK
- 2. FINISH: .000150[0.0038]mm MIN THK TIN OVER .000050[0.00127mm] MIN THK NICKEL ON ENTIRE CONTACT.
- 3. CONNECTOR SUPPLIED IN CLOSED CONDITION.
- 4. #NO. OF CONTACTS NOT TO BE LOADED.
- 5. PRODUCT SPEC: 108-16025
- 6. APPLICATION SPEC: 114-16009
- 7. PACKAGING SPEC: 107-51005

1.010 [25.654]	1.070 [27.178]	17	5-487576-9
.710 [18.034]	.770 [19.558]	11	5-487576-3
.460 [11.684]	.520 [13.208]		5-487576-1
.410 [10.414]	.470 [11.938]		5-487576-0
.560 [14.224]	.620 [15.748]	6	4-487576-9
.970 [12.954]	.970 [11.478]	5	4-487576-8
2.970 [75.914]	2.970 [75.438]	8	4-487576-7
2.860 [72.644]	2.920 [74.168]	54	4-487576-6
2.810 [71.374]	2.870 [72.898]	53	4-487576-5
2.760 [70.104]	2.820 [71.628]	52	4-487576-4
2.770 [68.834]	2.770 [70.358]	51	4-487576-3
2.660 [67.564]	2.720 [69.088]	50	4-487576-2
2.610 [66.294]	2.670 [67.818]	49	4-487576-1
2.560 [65.024]	2.620 [66.548]	48	4-487576-0
2.510 [63.754]	2.570 [65.278]	47	3-487576-9
2.460 [62.484]	2.520 [64.008]	46	3-487576-8
2.410 [61.214]	2.470 [62.738]	45	3-487576-7
2.360 [59.944]	2.420 [61.468]	44	3-487576-6
2.310 [58.674]	2.370 [60.198]	43	3-487576-5
2.260 [57.404]	2.320 [58.928]	42	3-487576-4
2.210 [56.134]	2.270 [57.658]	41	3-487576-3
2.160 [54.864]	2.220 [56.388]	40	3-487576-2
2.110 [53.594]	2.170 [55.118]	39	3-487576-1
2.060 [52.324]	2.120 [53.848]	38	3-487576-0
2.010 [51.054]	2.070 [52.578]	37	2-487576-9
1.960 [49.784]	2.020 [51.308]	36	2-487576-8
1.910 [48.514]	1.970 [50.038]	35	2-487576-7
1.860 [47.244]	1.920 [48.768]	34	2-487576-6
1.810 [45.974]	1.870 [47.498]	33	2-487576-5
1.760 [44.704]	1.820 [46.228]	32	2-487576-4
1.710 [43.434]	1.770 [44.958]	31	2-487576-3
1.660 [42.164]	1.720 [43.688]	30	2-487576-2
1.610 [40.894]	1.670 [42.418]	29	2-487576-1
1.560 [39.624]	1.620 [41.148]	28	2-487576-0
1.510 [38.354]	1.570 [39.878]	27	1-487576-9
1.460 [37.084]	1.520 [38.608]	26	1-487576-8
1.410 [35.814]	1.470 [37.338]	25	1-487576-7
1.360 [34.544]	1.420 [36.068]	24	1-487576-6
1.310 [33.274]	1.370 [34.798]	23	1-487576-5
1.260 [32.004]	1.320 [33.528]	22	1-487576-4
1.210 [30.734]	1.270 [32.258]	21	1-487576-3
1.160 [29.464]	1.220 [30.988]	20	1-487576-2
1.110 [28.194]	1.170 [29.718]	19	1-487576-1
1.060 [26.924]	1.120 [28.448]	18	1-487576-0
1.010 [25.654]	1.070 [27.178]	17	487576-9
.960 [24.384]	1.020 [25.908]	16	487576-8
.910 [23.114]	.970 [24.638]	15	487576-7
.860 [21.844]	.920 [23.368]	14	487576-6
.810 [20.574]	.870 [22.098]	13	487576-5
.760 [19.304]	.820 [20.828]	12	487576-4
.710 [18.034]	.770 [19.558]	11	487576-3
.660 [16.764]	.720 [18.288]	10	487576-2
.610 [15.494]	.670 [17.018]	9	487576-1

<small>THIS DRAWING IS A CONTROLLED DOCUMENT FOR AMP INCORPORATED IT IS SUBJECT TO CHANGE AND THE CONTROLLING ENGINEERING ORGANIZATION SHOULD BE CONTACTED FOR THE LATEST REVISION</small>		DWN SCOTT A. SHUEY 12SEP88 CRK J. ENGLISH 27SEP88		Tyco Electronics Corporation Singapore	
DIMENSIONS: INCHES[mm]		TOLERANCES UNLESS OTHERWISE SPECIFIED: 0 PLC ±" 1 PLC ±" 2 PLC ±" 3 PLC ±.005 [0.127] 4 PLC ±" ANGLES ±"		NAME: CONNECTOR ASSEMBLY, ZIF-LINE 50	
MATERIAL: HOUSING & STUFFER: FLAME RETARDANT THERMOPLASTIC; CONTACTS: PHOS BRONZE		FINISH: CONTACTS:		SIZE: A3 CAGE CODE: 00779 DRAWING NO: G-487576	
CUSTOMER DRAWING		SCALE: 4:1		SHEET 1 OF 1 REV N2	