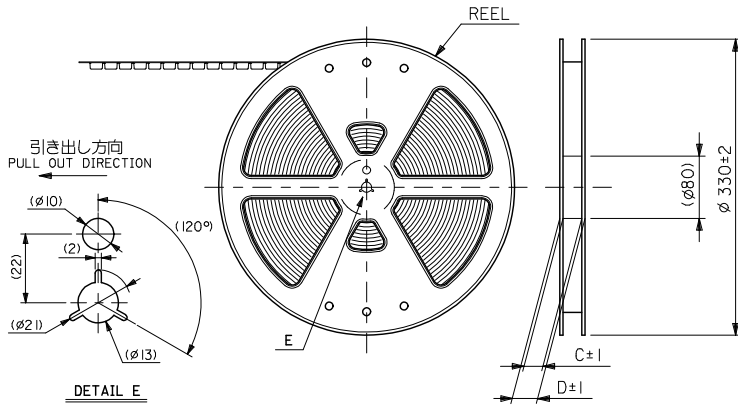
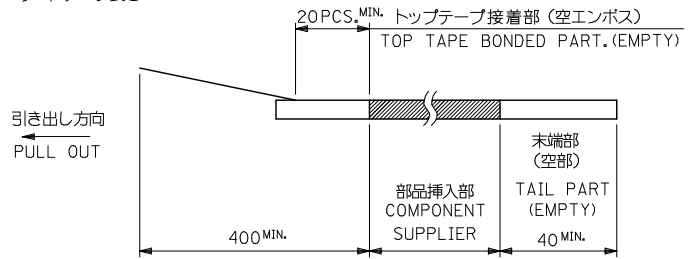


10 9 8 7 6 5 4 3 2 1



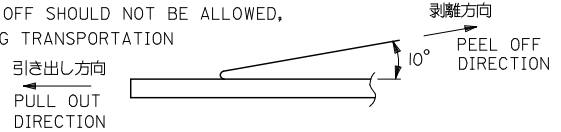
注記 NOTES

- 製品番号 52559-**-19 の梱包状態はアクチュエータがロックした状態とする。
 詳細寸法については図面 SD-52559-027 を参照下さい。
 IN THE PACKAGE,ACTUATOR OF PART NO.52559-**-19 SHOULD BE LOCKED RE DETAILED DIMENSIONS,SEE SD-52559-027
- 梱包数量：1000個/リール
 NUMBER OF CONNECTORS:1000PCS/REEL
- リードテープ長さ LEAD TAPE LENGTH



- トップテープの剥離強度：(剥離方向は下図参照)
 0.1~1.3N {10gf~130gf} 尚、本規格値は、出荷時に適用。
 (但し、輸送時に剥離が発生しない事。)

PEELING OFF FORCE OF TOP TAPE
 0.1~1.3N{10gf~130gf}PEELING DIRECTION AS SHOWN IN FOLLOWING FIG.)
 THIS REQUIREMENT SHOULD BE APPLIED AT SHIPMENT
 PEEL OFF SHOULD NOT BE ALLOWED,
 DURING TRANSPORTATION



- 材料 キャリアテープ：ポリプロピレン (PP)
 トップテープ：PET, PE, PEF
 リール：ポリスチレン (PS) <リサイクル材を含む>

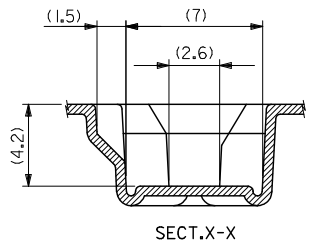
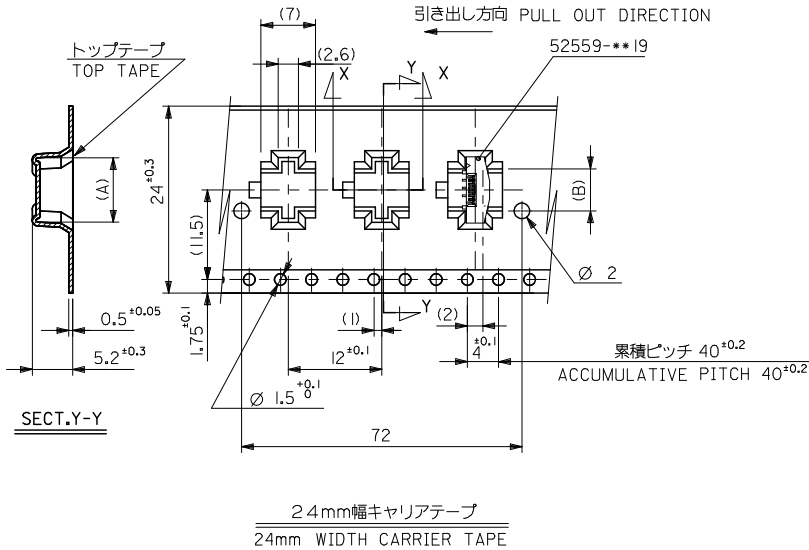
MATERIAL CARRIER TAPE:POLYPROPYLENE
 TOP TAPE:PET,PE,PEF
 REEL:POLYSTYRENE(PS)
 <RECYCLE MATERIAL CONTAINED>

- 本製品は 52559-**-92の鉛フリー品である。
 THIS PRODUCT IS LEAD FREE OF 52559-**-92
- 本製品は乾燥剤入り、ハイバリア梱包仕様である。
 THIS PRODUCT IS HIGH BARRIER PACKAGE WITH DESICCANT.

52559-**-72
 MODEL NO.

| | | | | | | | |
|--------------------------------------------------------------------------------------------------------------------------------------------------------------|------------------------------------------|------------------------------------------------------------|----------------------------|----------------------------------------------------------------------------------------------------------------------------------|--------------------------------------------------------------------|------------------------------|---------------------------|
| REVISED EC NO: J2009-2061 DRAWN BY DRYUNIKON 2009/05/20 CHECKED BY CHYOHMATSUNO 2009/05/21 APPROVED BY APPRENIKI TA 2009/05/21 | GENERAL TOLERANCES (UNLESS SPECIFIED) | | DIMENSION STYLE MM ONLY | | SCALE --- | DESIGN UNITS METRIC | THIRD ANGLE PROJECTION |
| | 10 UNDER | ±0.2 | DRAWN BY H. SHIMABUKUR | DATE 2004/01/07 | TITLE 0.5 FPC CONN ASSY ZIF SMT ST EMBSTP PKG -LEAD FREE- | | |
| | 10 OVER 30 UNDER | ±0.25 | CHECKED BY K. TOJO | DATE 2004/01/07 | MOLEX INCORPORATED | | |
| | 30 OVER | ±0.3 | APPROVED BY M. SASAO | DATE 2004/01/07 | MATERIAL NO. SEE SHEET 2-4 | DOCUMENT NO. SD-52559-028 | SHEET NO. 1 OF 4 |
| | ANGULAR ±3° | DRAFT WHERE APPLICABLE MUST REMAIN WITHIN DIMENSIONS | | THIS DRAWING CONTAINS INFORMATION THAT IS PROPRIETARY TO MOLEX INCORPORATED AND SHOULD NOT BE USED WITHOUT WRITTEN PERMISSION | | | |

10 9 8 7 6 5 4 3 2 1

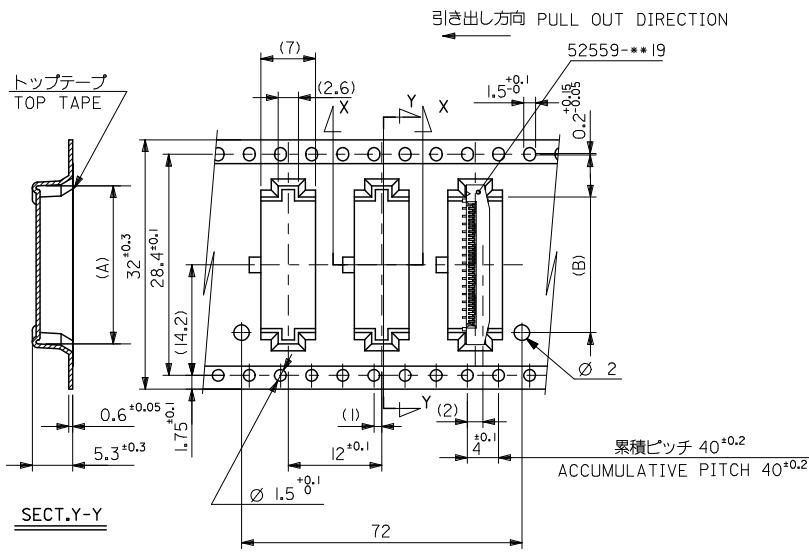


| | | | | | | |
|-----|------|------------|------|------|------------|----|
| 24 | 29.4 | 25.4 | 14.4 | 17.3 | 52559-2472 | 24 |
| | | | 13.9 | 16.8 | 52559-2372 | 23 |
| | | | 12.9 | 15.8 | 52559-2172 | 21 |
| | | | 12.4 | 15.3 | 52559-2072 | 20 |
| | | | 10.9 | 13.8 | 52559-1772 | 17 |
| | | | 10.4 | 13.3 | 52559-1672 | 16 |
| | | | 9.9 | 12.8 | 52559-1572 | 15 |
| | | | 9.4 | 12.3 | 52559-1472 | 14 |
| | | | 8.4 | 11.3 | 52559-1272 | 12 |
| | | | 7.4 | 10.3 | 52559-1072 | 10 |
| | | | 6.9 | 9.8 | 52559-0972 | 9 |
| 5.4 | 8.3 | 52559-0672 | 6 | | | |

| | | | | | | | |
|------------|--------------------|---|---|-----|-----|--------------|-------------|
| 52559-**72 | キャリアテープ幅 | D | C | (B) | (A) | MATERIAL NO. | CIRCUIT NO. |
| MODEL NO. | CARRIER TAPE WIDTH | | | | | | |

| | | | | | | | |
|----------------------------------------------------------------------------------------------------------------------------------|---------------------------------------|-------------------------------------------------------------------------------------------------------------------------------|-------------------------|---------------------------|------------------------------------------------------------|------------------------|--------------------|
| REVISED JEC NO: J2009-2061 DRAWN BY: DRWNTKON CHKD:HMATSUMOTO APPR:NIKIITA 2009/05/20 2009/05/21 2009/05/21 | GENERAL TOLERANCES (UNLESS SPECIFIED) | | DIMENSION STYLE | SCALE | DESIGN UNITS | THIRD ANGLE PROJECTION | |
| | 10 UNDER | ±0.2 | MM ONLY | --- | METRIC | | |
| | 10 OVER 30 UNDER | ±0.25 | DRAWN BY: H. SHIMABUKUR | DATE: 2004/01/07 | TITLE: 0.5 FPC CONN ASSY ZIF SMT ST EMBSTP PKG -LEAD FREE- | | |
| | 30 OVER | ±0.3 | CHECKED BY: K. TOJO | DATE: 2004/01/07 | APPROVED BY: M. SASAO | DATE: 2004/01/07 | MOLEX INCORPORATED |
| | ANGULAR | ±3 ° | MATERIAL NO. SEE TABLE | DOCUMENT NO. SD-52559-028 | SHEET NO. 2 OF 4 | | |
| DRAFT WHERE APPLICABLE MUST REMAIN WITHIN DIMENSIONS | | THIS DRAWING CONTAINS INFORMATION THAT IS PROPRIETARY TO MOLEX INCORPORATED AND SHOULD NOT BE USED WITHOUT WRITTEN PERMISSION | | | | | |

10 9 8 7 6 5 4 3 2 1

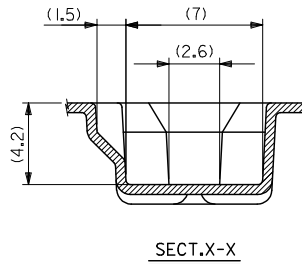
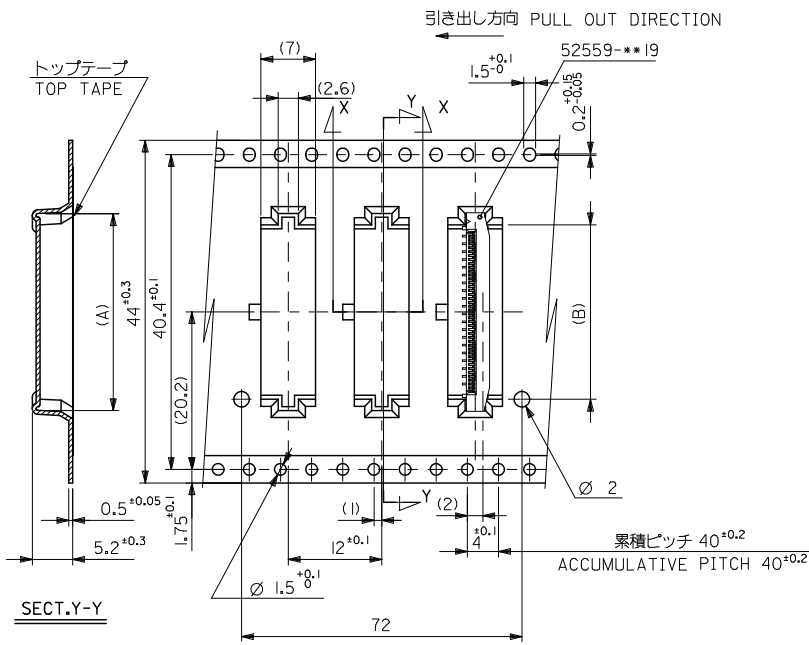


| | | | | | | | | | |
|------------------------------------------------------------|--------------------------------|---------------------------------------------------------------------------------------------------------------------------------------------|---|------------------------------|------|--------------------------------------------------------------------|-------------|------------------------|--|
| 52559-**-72 | キャリアテープ幅 CARRIER TAPE WIDTH | D | C | 18.4 | 21.3 | 52559-3272 | 32 | | |
| | | | | 17.4 | 20.3 | 52559-3072 | 30 | | |
| | | | | 16.4 | 19.3 | 52559-2872 | 28 | | |
| | | | | 15.9 | 18.8 | 52559-2772 | 27 | | |
| | | | | 15.4 | 18.3 | 52559-2672 | 26 | | |
| MODEL NO. | | | | (B) | (A) | MATERIAL NO. | CIRCUIT NO. | | |
| GENERAL TOLERANCES (UNLESS SPECIFIED) | | DIMENSION STYLE MM ONLY | | SCALE --- | | DESIGN UNITS METRIC | | THIRD ANGLE PROJECTION | |
| 10 UNDER | ±0.2 | DRAWN BY H. SHIMABUKUR | | DATE 2004/01/07 | | TITLE 0.5 FPC CONN ASSY ZIF SMT ST EMBSTP PKG -LEAD FREE- | | | |
| 10 OVER 30 UNDER | ±0.25 | CHECKED BY K. TOJO | | DATE 2004/01/07 | | MOLEX INCORPORATED | | | |
| 30 OVER | ±0.3 | APPROVED BY M. SASAO | | DATE 2004/01/07 | | | | | |
| ANGULAR ±3 ° | | MATERIAL NO. SEE TABLE | | DOCUMENT NO. SD-52559-028 | | SHEET NO. 3 OF 4 | | | |
| DRAFT WHERE APPLICABLE MUST REMAIN WITHIN DIMENSIONS | | SIZE A3 THIS DRAWING CONTAINS INFORMATION THAT IS PROPRIETARY TO MOLEX INCORPORATED AND SHOULD NOT BE USED WITHOUT WRITTEN PERMISSION | | | | | | | |

ib_frame_A3_J_ME_S
Rev. E 2006/04/15

9 8 7 6 5 4 3 2 1 EN-02JA(021)

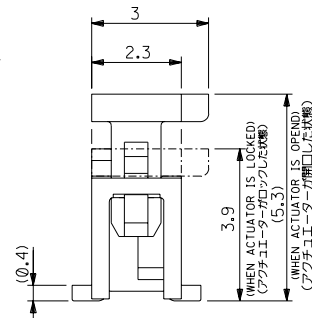
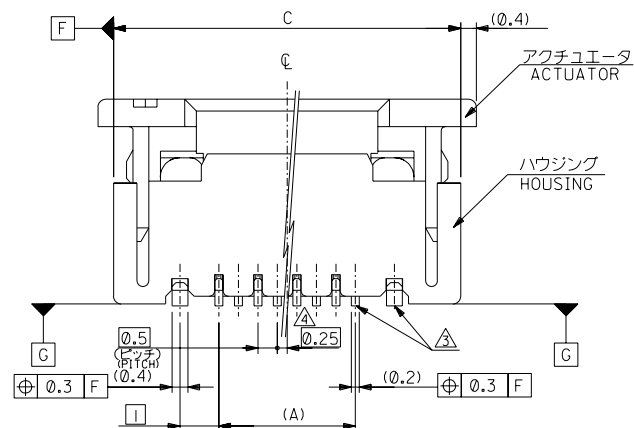
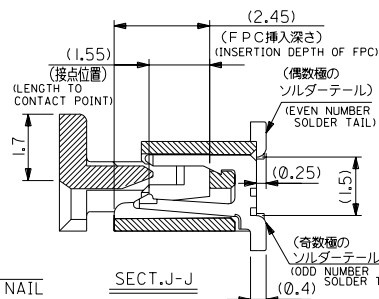
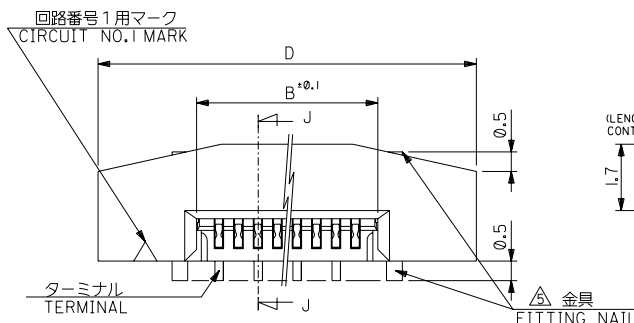
10 9 8 7 6 5 4 3 2 1



44mm幅キャリアテープ
44mm WIDTH CARRIER TAPE

| | | | | | | | |
|-------------------------------------------------------------------------------------------------------------------|---------------------------------------|------------------------------------------------------------|----------------------------|---------------------------|--------------------|----------------------------------------------------------------------------------------------------------------------------------|--------------------------------------------------------------------|
| REVISED EC NO: J2009-2061 DRAWN BY: CHYKOHMATSUNO CHECKED BY: CHYKOHMATSUNO APPROVED BY: APPR:NIKIITA | GENERAL TOLERANCES (UNLESS SPECIFIED) | | DIMENSION STYLE MM ONLY | | SCALE --- | DESIGN UNITS METRIC | THIRD ANGLE PROJECTION |
| | 10 UNDER | ±0.2 | DRAWN BY H. SHIMABUKUR | | DATE 2004/01/07 | | TITLE 0.5 FPC CONN ASSY ZIF SMT ST EMBSTP PKG -LEAD FREE- |
| | 10 OVER 30 UNDER | ±0.25 | CHECKED BY K. TOJO | | DATE 2004/01/07 | | MOLEX INCORPORATED DOCUMENT NO. SD-52559-028 |
| | 30 OVER | ±0.3 | APPROVED BY M. SASAO | | DATE 2004/01/07 | | |
| ANGULAR ±3° | | DRAFT WHERE APPLICABLE MUST REMAIN WITHIN DIMENSIONS | | MATERIAL NO. SEE TABLE | | THIS DRAWING CONTAINS INFORMATION THAT IS PROPRIETARY TO MOLEX INCORPORATED AND SHOULD NOT BE USED WITHOUT WRITTEN PERMISSION | |

DWG. NO. SD-52559-045



注記 NOTES

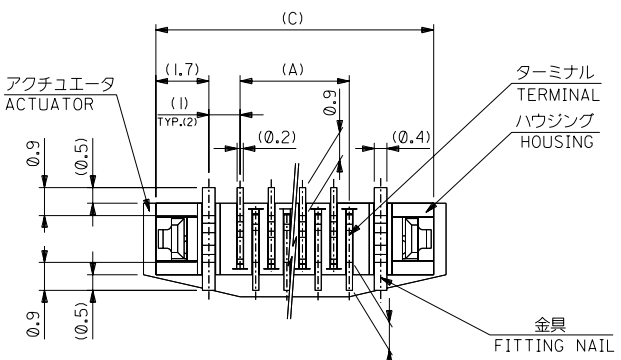
- I. 使用材料: MATERIAL
- ハウジング HOUSING : 46NYLON UL94V-0
 - アクチュエータ ACTUATOR : PPS UL94V-0
 - ターミナル TERMINAL : リン青銅 (t=0.2) PHOS-BRO
 - 金具 FITTING NAIL : 銅ビスマスマック 1.0マイクromメートル以上 TIN-BISMUTH 1.0 MICROMETER MINIMUM
 - ニッケル下地 1.0マイクromメートル以上 NICKEL(UNDER PLATING) 1.0 MICROMETER MINIMUM
 - リン青銅 (t=0.4)
 - 銅メッキ 1.0マイクromメートル以上 TIN 1.0 MICROMETER MINIMUM
 - ニッケル下地 1.0マイクromメートル以上 NICKEL(UNDER PLATING) 1.0 MICROMETER MINIMUM
2. エンボステップ梱包時は、アクチュエータがロックした状態とする。
IN THE PACKAGE, ACTUATOR OF PART NO.52559-***9 SHOULD BE LOCKED.
- △ ソルダータール半田付け面のズレ量、及び金具半田付け面のズレ量は、基準面 [G] に対し上方向 0.05 MAX.、下方向 0.15 MAX.とする。
MISALIGNMENT OF SOLDER TAILS AND FITTING NAILS FROM [G] UPPER DIRECTION: 0.05 MAX. . LOWER DIRECTION: 0.15 MAX.
- △ 偶数種に適用。
APPLY FOR EVEN CIRCUIT.
- △ パターンはくり止め用金具。
FITTING NAIL FOR PREVENTION OF PEELING OF P.C.B. PATTERN.
- △ RO. 3は、FPCの導体部にかからないこと。
RO.3 MUST NOT BE OVERLAPPED TO PATTERN OF FPC.
7. 本製品は 52559-***17 の鉛フリー品である。
THIS PRODUCT IS LEAD FREE OF 52559-***17

DO NOT SCALE DRAWING

| | | | | | | | | | |
|-------------------------------------------------------------------------------------------------------------------------------------------------------------------------------------------------------------------------------------------------------------------------------------------------------------------------------------------------------------------------------------------------------------|--|------------------------------------------------------------------------------------------------------------------------|--|-------------------------------------------------------------------------------------------------------------------------------------------------------------------------------------------------------------------------------------------------------------------------------------|--|---------------------------------------------------------------------------------------------------------------------------------------------------------------------------------------------------------------------------------------------------------------------------------------------------------------|--|-------------------------------------------------------|--|
| 8 8BAND. DRWN: CHK: APPR: 7 E33NO. DRWN: CHK: APPR: E32NO. DRWN: CHK: APPR: REVISED E31 NO. J2004-3551 DRWN: H. KAWABATA CHK: K. TOJO APPR: H. SAEKI 6 RELEASED E30 NO. J2004-1818 DRWN: H. SHIMABUKURO CHK: K. TOJO APPR: H. SAEKI 5 MATERIAL 材料 注記参照 SEE NOTES FINISH 仕上げ WIRE RANGE 適用電線範囲 INS. RANGE 被覆外径 REV DESCRIPTION | | 4 GENERAL TOLERANCES: (UNLESS SPECIFIED) 一般公差 10 UNDER 未満 10 OVER 以上 30 UNDER 未満 30 OVER 以上 ANGLE 角度 | | 3 SCALE 縮尺 DESIGN UNITS 設計単位 <input checked="" type="checkbox"/> mm <input type="checkbox"/> INCH DRAWN BY & DATE H. SHIMABUKURO '04/01/07 CHECKED BY & DATE K. TOJO '04/01/07 APPROVED BY & DATE H. SAEKI '04/01/07 CAD FILENAME SD-52559-045.S01 | | 2 MODEL NO. 52559-***19 DIMENSIONS: 寸法 <input type="checkbox"/> mm <input type="checkbox"/> INCH <input checked="" type="checkbox"/> mm ONLY <input type="checkbox"/> INCH <input type="checkbox"/> mm ONLY SHT 1 REV 1 TITLE: 0.5 FPC Conn. Assy ZIF. -LEAD FREE- MOLEX INCORPORATED | | 1 SHEET NO. 1 OF 2 SIZE B EN-02J(097) MXJ-54 | |
|-------------------------------------------------------------------------------------------------------------------------------------------------------------------------------------------------------------------------------------------------------------------------------------------------------------------------------------------------------------------------------------------------------------|--|------------------------------------------------------------------------------------------------------------------------|--|-------------------------------------------------------------------------------------------------------------------------------------------------------------------------------------------------------------------------------------------------------------------------------------|--|---------------------------------------------------------------------------------------------------------------------------------------------------------------------------------------------------------------------------------------------------------------------------------------------------------------|--|-------------------------------------------------------|--|

DWG. NO. SD-52559-045

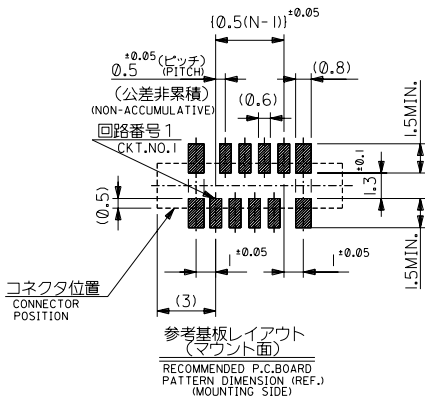
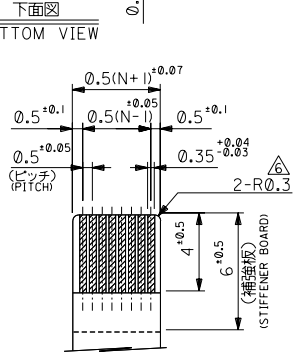
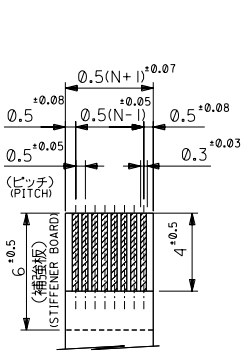
8 7 6 5 4 3 2 1



FPCについて：
打抜き方向は導体側から補強板側を推奨致します。
補強フィルム材質はポリイミドを推奨致します。
接着剤は熱硬化接着剤を推奨致します。

ABOUT FPC :
RECOMMENDED PUNCHER DIRECTION : FROM CONDUCTOR SIDE TO STIFFENER BOARD SIDE.
RECOMMENDED MATERIAL :
STIFFENER FILM : POLYIMIDE
BONDING AGENT : THERMOSETTING BONDING AGENT

| | | | | | | | |
|------|------|-------|------|----------|--------------|--------|----|
| 25.7 | 24.9 | 20.65 | 19.5 | 52559-40 | 19 | 40 | |
| 23.7 | 22.9 | 18.65 | 17.5 | | -36 | 19 | 36 |
| 22.2 | 21.4 | 17.15 | 16.0 | | -33 | 19 | 33 |
| 21.7 | 20.9 | 16.65 | 15.5 | | -32 | 19 | 32 |
| 21.2 | 20.4 | 16.15 | 15.0 | | -31 | 19 | 31 |
| 20.7 | 19.9 | 15.65 | 14.5 | | -30 | 19 | 30 |
| 20.2 | 19.4 | 15.15 | 14.0 | | -29 | 19 | 29 |
| 19.7 | 18.9 | 14.65 | 13.5 | | -28 | 19 | 28 |
| 19.2 | 18.4 | 14.15 | 13.0 | | -27 | 19 | 27 |
| 18.7 | 17.9 | 13.65 | 12.5 | | -26 | 19 | 26 |
| 18.2 | 17.4 | 13.15 | 12.0 | | -25 | 19 | 25 |
| 17.7 | 16.9 | 12.65 | 11.5 | | -24 | 19 | 24 |
| 17.2 | 16.4 | 12.15 | 11.0 | | -23 | 19 | 23 |
| 16.7 | 15.9 | 11.65 | 10.5 | | -22 | 19 | 22 |
| 16.2 | 15.4 | 11.15 | 10.0 | | -21 | 19 | 21 |
| 15.7 | 14.9 | 10.65 | 9.5 | | -20 | 19 | 20 |
| 15.2 | 14.4 | 10.15 | 9.0 | | -19 | 19 | 19 |
| 14.7 | 13.9 | 9.65 | 8.5 | | -18 | 19 | 18 |
| 14.2 | 13.4 | 9.15 | 8.0 | | -17 | 19 | 17 |
| 13.7 | 12.9 | 8.65 | 7.5 | | -16 | 19 | 16 |
| 13.2 | 12.4 | 8.15 | 7.0 | | -15 | 19 | 15 |
| 12.7 | 11.9 | 7.65 | 6.5 | | -14 | 19 | 14 |
| 12.2 | 11.4 | 7.15 | 6.0 | | -13 | 19 | 13 |
| 11.7 | 10.9 | 6.65 | 5.5 | | -12 | 19 | 12 |
| 11.2 | 10.4 | 6.15 | 5.0 | | -11 | 19 | 11 |
| 10.7 | 9.9 | 5.65 | 4.5 | | -10 | 19 | 10 |
| 10.2 | 9.4 | 5.15 | 4.0 | | -09 | 19 | 9 |
| 9.7 | 8.9 | 4.65 | 3.5 | | -08 | 19 | 8 |
| 8.7 | 7.9 | 3.65 | 2.5 | 52559-06 | 19 | 6 | |
| | D | C | B | (A) | MATERIAL NO. | 種数 CRT | |



DO NOT SCALE DRAWING

| | | | | | | | | | |
|---------------------|---------------|------------------|---------------|---------------------------------------|------------------|-------------------------------------------|--------------------------------------------|---------------------------|--|
| REV. NO. 01 | | REVISED | | MODEL NO. 52559-019 | | DIMENSIONS: 0.5mm ONLY | | SHEET NO. 2 OF 2 | |
| DRWN: K. TOJO | CHK: H. SALAB | DRWN: K. TOJO | CHK: H. SALAB | SCALE: 1:1 | DESIGN UNITS: mm | PROJECTION: FIRST ANGLE | TITLE: 0.5 FPC Conn. Assy ZIF. -LEAD FREE- | MATERIAL NO. SD-52559-045 | |
| MATERIAL: SEE NOTES | | FINISH: 仕上 | | GENERAL TOLERANCES: UNLESS SPECIFIED. | | DRAWN BY & DATE: H. SHIMABUKURO '04/01/07 | | DRAWING NO. SD-52559-045 | |
| WIRE RANGE: 適用電線範囲 | | INS. RANGE: 被覆外径 | | CHECKED BY & DATE: K. TOJO '04/01/07 | | APPROVED BY & DATE: H. SALAB '04/01/07 | | SHEET NO. 2 OF 2 | |
| ANGLE: 角度 | | REV: 0 | | CAD FILENAME: SD-52559-045.S02 | | MATERIAL NO. SD-52559-045 | | SIZE B | |

EN-02J(097) MXJ-54