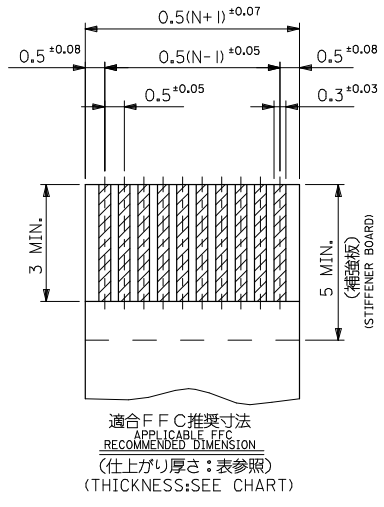
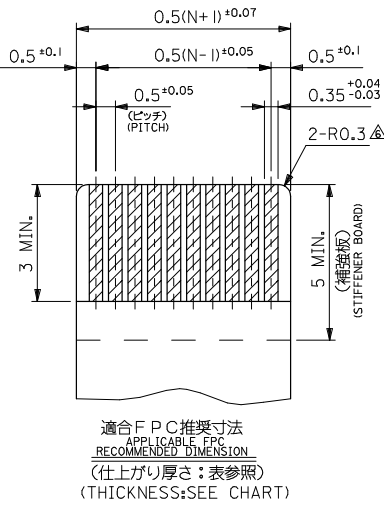
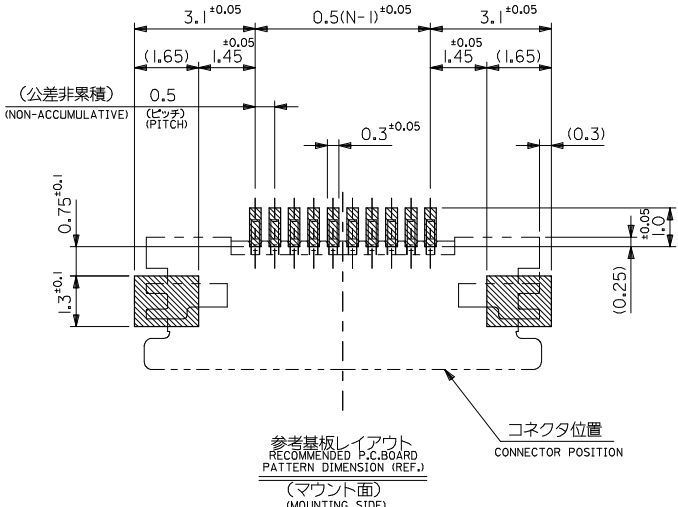


THICKNESS OF FPC	D	C	B	A	EMBOSSED TAPE		製品番号	機数
					ORDER No. 番号	MATERIAL No. CIRCUIT		
0.28 ±0.03	13.65	17	12.5	18.2	54548-2670	54548-2619	26	
0.3 ±0.03	12.65	16	11.5	17.2	54548-2470	54548-2419	24	
	11.65	15	10.5	16.2	54548-2270	54548-2219	22	
	11.15	14.5	10	15.7	54548-2170	54548-2119	21	
	10.65	14	9.5	15.2	54548-2070	54548-2019	20	
	10.15	13.5	9	14.7	54548-1970	54548-1919	19	
	9.65	13	8.5	14.2	54548-1870	54548-1819	18	
	9.15	12.5	8	13.7	54548-1770	54548-1719	17	
	8.65	12	7.5	13.2	54548-1670	54548-1619	16	
	8.15	11.5	7	12.7	54548-1570	54548-1519	15	
	7.65	11	6.5	12.2	54548-1470	54548-1419	14	
	7.15	10.5	6	11.7	54548-1370	54548-1319	13	
	6.65	10	5.5	11.2	54548-1270	54548-1219	12	
	6.15	9.5	5	10.7	54548-1170	54548-1119	11	
	5.65	9	4.5	10.2	54548-1070	54548-1019	10	
	5.15	8.5	4	9.7	54548-0970	54548-0919	9	
	4.65	8	3.5	9.2	54548-0870	54548-0819	8	
4.15	7.5	3	8.7	54548-0770	54548-0719	7		
3.65	7	2.5	8.2	54548-0670	54548-0619	6		
3.15	6.5	2	7.7	54548-0570	54548-0519	5		
2.65	6.0	1.5	7.2	54548-0470	54548-0419	4		

REVISED EC NO: J2008-4048 DRAWN BY: HIRAHARA CHKD: THARYAMA APPR: NIKITA 2008/06/13 2008/06/16 2008/06/16	GENERAL TOLERANCES (UNLESS SPECIFIED)		DIMENSION STYLE MM ONLY		SCALE 10:1	DESIGN UNITS METRIC	THIRD ANGLE PROJECTION
	10 UNDER	±0.2	DRAWN BY Y. WADA	DATE 2004/01/09	TITLE 0.5 FPC CONN ZIF HSG ASSY FOR SMT RA BTM CONT -LEAD FREE-		
	10 OVER 30 UNDER	±0.25	CHECKED BY M. SASAO	DATE 2004/01/09	MOLEX INCORPORATED		
	30 OVER	±0.3	APPROVED BY M. SASAO	DATE 2004/01/09	MATERIAL NO. SEE TABLE	DOCUMENT NO. SD-54548-037	SHEET NO. 1 OF 2
	ANGULAR ±3° DRAFT WHERE APPLICABLE MUST REMAIN WITHIN DIMENSIONS		THIS DRAWING CONTAINS INFORMATION THAT IS PROPRIETARY TO MOLEX INCORPORATED AND SHOULD NOT BE USED WITHOUT WRITTEN PERMISSION				

10 9 8 7 6 5 4 3 2 1



FPC/FFC について:  
打ち置き方向は導体側から補強板側を推奨します。  
導体部については軟銅箔35μmまたは50μmを推奨します。  
ABOUT FPC/FFC  
RECOMMENDED PUNCHER DIRECTION: FROM CONDUCTOR SIDE TO STIFFENER FILM SIDE.  
RECOMMENDED CONDUCTOR SPEC:  
THICKNESS OF SOFT COPPER FOIL: 35 MICROMETER OR 50 MICROMETER.

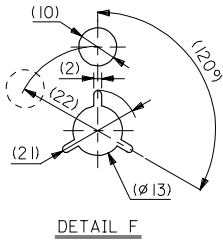
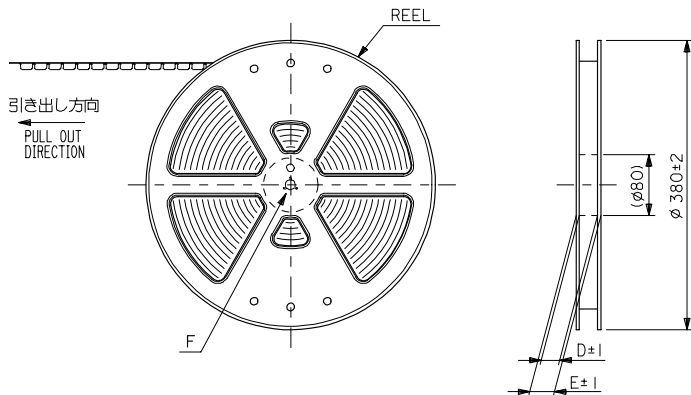
FPC について:  
補強フィルム材質はポリイミドを推奨します。ベースフィルムは25μmを推奨します。  
接着剤は熱硬化接着剤を推奨します。  
尚、接着剤の接点部への付着は導通不良の原因になりますので、染み出しが無い様、お願い致します。  
ABOUT FPC  
RECOMMENDED MATERIAL/THICKNESS.  
STIFFENER FILM: POLYIMIDE  
BASE FILM THICKNESS: 25μm  
BONDING AGENT: THERMOSETTING BONDING AGENT  
PLEASE PUT APPROPRIATE AMOUNT OF ADHESIVE ON THE CONTACT AREA BECAUSE THE EXTRA ADHESIVE MAY CAUSE THE DEFECT IN ELECTRICAL CONTINUITY.

注記 NOTES

1. 使用材料 MATERIAL  
ハウジング : LCP, UL94V-0  
HOUSING  
アクチュエータ : PPS, UL94V-0  
ACTUATOR  
ターミナル : リン青銅 (t=0.2)、ニッケル下地 銀ビスマスマッキ  
TERMINAL PHOSPHOR BRONZE, TIN-BISMUTH OVER NICKEL PLATING.  
金具 : リン青銅 (t=0.2)、ニッケル下地 銀メッキ  
FITTING NAIL PHOSPHOR BRONZE, PURE-TIN OVER NICKEL PLATING.
2. エンボステープ梱包時は、アクチュエータがロックした状態とする。  
IN THE PACKAGE, ACTUATOR OF PART NO.54548-\*\*19 SHOULD BE LOCKED.
- △ソルダーテール半田付け面のスレ量、及び金具半田付け面のスレ量は、基準面 Z に対し上方向 0MAX.、下方向 0.15MAX. とし  
相互のラック量は 0.1MAX. とする。  
MISALIGNMENT OF SOLDER TAILS AND FITTING NAILS FROM Z  
UPPER DIRECTION 0 MAX., LOWER DIRECTION: 0.15 MAX.  
OFFSET BETWEEN UPPER AND LOWER 0.1 MAX.
- △偶数層に適用。  
APPLY FOR EVEN CIRCUIT.
- △パターンのくり止め用金具  
FITTING NAIL FOR PREVENTION OF PEELING OF P.C.B. PATTERN.
- △R0.3はFPC導体側に付かないこと  
R0.3 MUST NOT BE OVERLAPPED TO PATTERN OF FPC.
7. N: 極数 N: CIRCUIT.

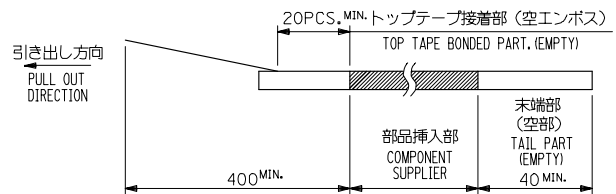
REVISED EC NO: J2008-4048 DRAWN BY: 2008/06/13 CHKD: THARYAMA 2008/06/16 APPR: NIKITA 2008/06/16	GENERAL TOLERANCES (UNLESS SPECIFIED)		DIMENSION STYLE MM ONLY		SCALE ---	DESIGN UNITS METRIC	MODEL No. 54548-**19
	10 UNDER	±0.2	DRAWN BY Y. WADA		DATE 2004/01/09		TITLE 0.5 FPC CONN ZIF HSG ASSY FOR SMT RA BTM CONT -LEAD FREE-
	10 OVER	±0.25	CHECKED BY M. SASAO		DATE 2004/01/09		
	30 OVER	±0.3	APPROVED BY M. SASAO		DATE 2004/01/09		MOLEX INCORPORATED
ANGULAR ±3°		MATERIAL NO. SEE SHEET 1		DOCUMENT NO. SD-54548-037		SHEET NO. 2 OF 2	
DRAFT WHERE APPLICABLE MUST REMAIN WITHIN DIMENSIONS			SIZE A THIS DRAWING CONTAINS INFORMATION THAT IS PROPRIETARY TO MOLEX INCORPORATED AND SHOULD NOT BE USED WITHOUT WRITTEN PERMISSION				

10 9 8 7 6 5 4 3 2 1

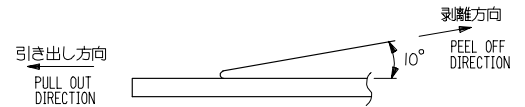


NOTES

- 製品詳細寸法については図面 SD-54548-037 を参照下さい。  
RE DETAILED DIMENSION, SEE SD-54548-037.
- 梱包数量：3000個/リール  
NUMBER OF CONNECTORS : 3000PCS/REEL
- リードテープ長さ LEAD TAPE LENGTH



- トップテープの剥離強度：0.1N ~ 1.3N { 10gf ~ 130gf }  
(剥離方向は下図参照)  
尚、本規格値は出荷時に適用。(但し、輸送時に剥離が発生しないこと。)  
PEELING OFF FORCE OF TOP TAPE : 0.1N ~ 1.3N (10gf ~ 130gf)  
(PEELING DIRECTION AS SHOWN IN FOLLOWING FIG.)  
THIS REQUIREMENT SHOULD BE APPLIED AT SHIPMENT.  
PEEL OFF SHOULD NOT BE ALLOWED , DURING TRANSPORTATION.



- 材料 (MATERIAL)  
キャリアテープ (CARRIER TAPE) : ポリプロピレン (POLYPROPYLENE)  
トップテープ (TOP TAPE) : PET , PE , PEF  
リール (REEL) : ポリスチレン (PS) <リサイクル材を含む>  
POLYSTYRENE (PS) <RECYCLE MATERIAL CONTAINED>
- 本製品は54548-\*\*-90の鉛フリー品である。  
THIS PRODUCT IS LEAD FREE OF 54548-\*\*-90.

REVISED REV. NO. J2005-2516 2005/02/28 DRAWN BY Y. WADA 2005/02/28 CHKD BY CHIKO KUYODA 2005/03/07 APPR. BY M. SASAO 2005/03/07	GENERAL TOLERANCES (UNLESS SPECIFIED)		DIMENSION STYLE MM ONLY		54548-**-70		MODEL NO.	
	10 UNDER	±0.2	DRAWN BY	DATE	SCALE	DESIGN UNITS	THIRD ANGLE PROJECTION	
	10 OVER 30 UNDER	±0.25	CHECKED BY	DATE	---	METRIC		
	30 OVER	±0.3	APPROVED BY	DATE	TITLE EMBSTP PKG FOR 0.5 FPC CONN ZIF HSG ASSY -LEAD FREE-			
	ANGULAR ±3 °	DRAFT WHERE APPLICABLE MUST REMAIN WITHIN DIMENSIONS		MATERIAL NO.	MOLEX INCORPORATED		SHEET NO. 1 OF 4	
		SEE CHART		DOCUMENT NO.	SD-54548-038			
		THIS DRAWING CONTAINS INFORMATION THAT IS PROPRIETARY TO MOLEX INCORPORATED AND SHOULD NOT BE USED WITHOUT WRITTEN PERMISSION						

10 9 8 7 6 5 4 3 2 1

F

E

D

C

B

A

F

E

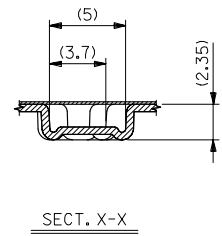
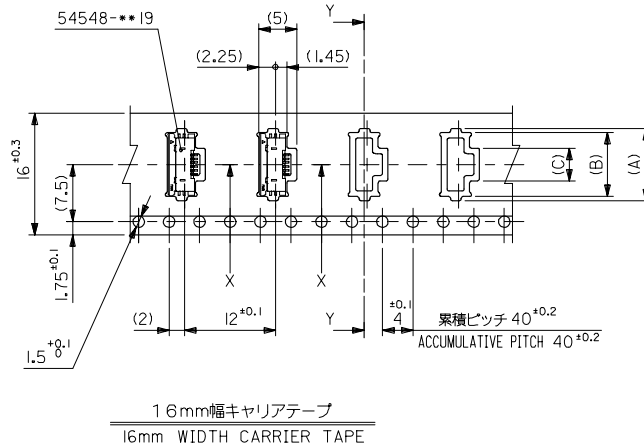
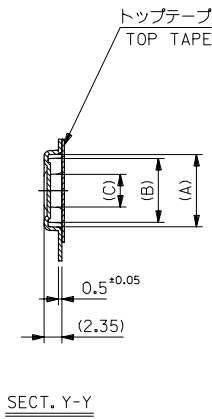
D

C

B

A

引き出し方向  
PULL OUT DIRECTION

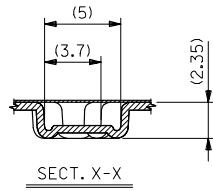
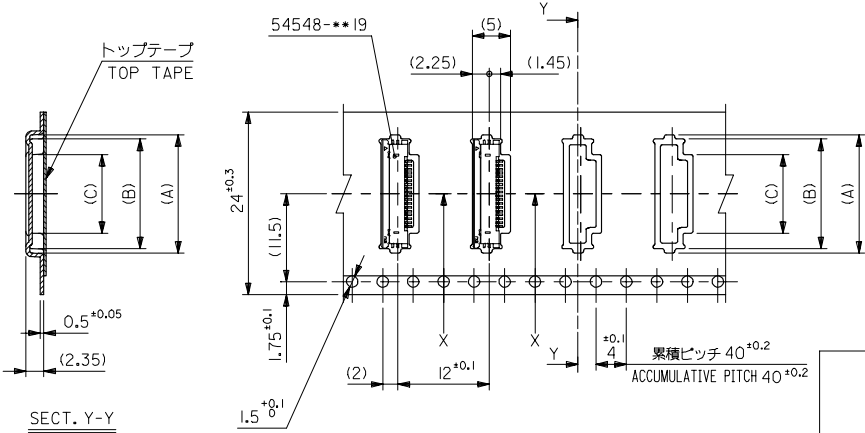


16	21.4	17.4	4.3	8.4	9.5	54548-0670	6
キャリアテープ幅 CARRIER TAPE WIDTH	E	D	3.8	7.9	9	54548-0570	5
			3.3	7.4	8.5	54548-0470	4
						製品番号 MATERIAL No.	極数 CIRCUIT

REVISED REV. NO. J2005-2516 2005/02/28 DRAWN BY Y. WADA CHKD BY CHIKO KATOYODA APPR. BY NIKITA 2005/03/07	GENERAL TOLERANCES (UNLESS SPECIFIED)		DIMENSION STYLE MM ONLY		SCALE 2:1	DESIGN UNITS METRIC	THIRD ANGLE PROJECTION
	10 UNDER	± 0.2	DRAWN BY Y. WADA	DATE 2004/01/09	TITLE EMBSTP PKG FOR 0.5 FPC CONN ZIF HSG ASSY -LEAD FREE- MOLEX INCORPORATED		
	10 OVER 30 UNDER	± 0.25	CHECKED BY M. SASAO	DATE 2004/01/09			
	30 OVER	± 0.3	APPROVED BY M. SASAO	DATE 2004/01/09			
	ANGULAR	± 3 °	DRAFT WHERE APPLICABLE MUST REMAIN WITHIN DIMENSIONS		MATERIAL NO. SEE CHART	DOCUMENT NO. SD-54548-038	SHEET NO. 2 OF 4
THIS DRAWING CONTAINS INFORMATION THAT IS PROPRIETARY TO MOLEX INCORPORATED AND SHOULD NOT BE USED WITHOUT WRITTEN PERMISSION							

10 9 8 7 6 5 4 3 2 1

引き出し方向  
PULL OUT DIRECTION



SECT. Y-Y

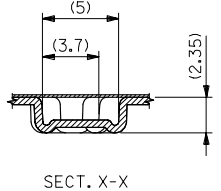
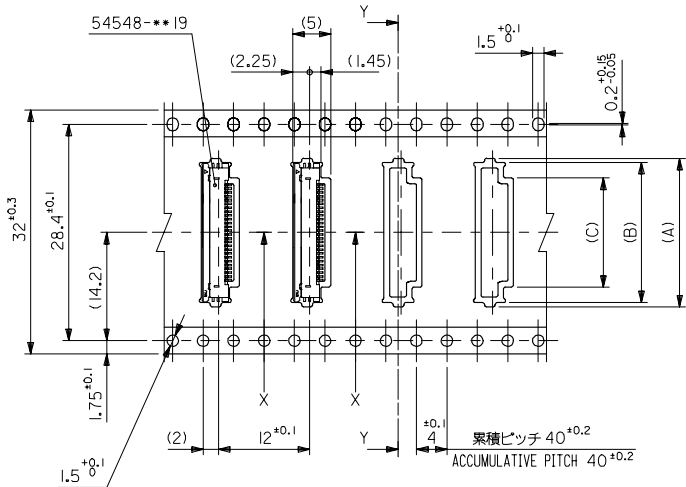
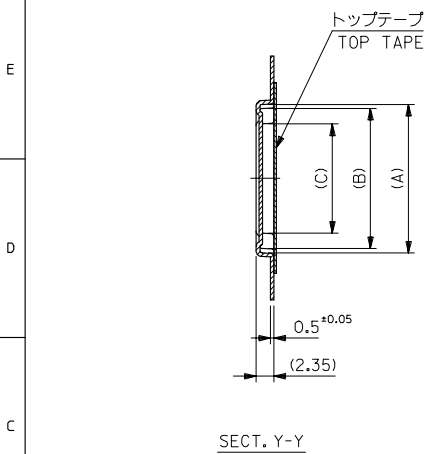
24mm幅キャリアテープ  
24mm WIDTH CARRIER TAPE

24	29.4	25.4	12.3	16.4	17.5	54548-2270	22		
			11.8	15.9	17	54548-2170	21		
			11.3	15.4	16.5	54548-2070	20		
			10.8	14.9	16	54548-1970	19		
			10.3	14.4	15.5	54548-1870	18		
			9.8	13.9	15	54548-1770	17		
			9.3	13.4	14.5	54548-1670	16		
			8.8	12.9	14	54548-1570	15		
			8.3	12.4	13.5	54548-1470	14		
			7.8	11.9	13	54548-1370	13		
			7.3	11.4	12.5	54548-1270	12		
			6.8	10.9	12	54548-1170	11		
			6.3	10.4	11.5	54548-1070	10		
5.8	9.9	11	54548-0970	9					
5.3	9.4	10.5	54548-0870	8					
4.8	8.9	10	54548-0770	7					
キャリアテープ幅 CARRIER TAPE WIDTH			E	D	(C)	(B)	(A)	製品番号 MATERIAL No.	極数 CIRCUIT

REVISED IEC NO. J2005-2516 2005/02/28 DRAWN BY Y. WADA 2004/01/09 CHK'D BY CHIKO KUYODA 2005/02/28 APPR'D BY NAOKI MIYATA 2005/03/07	GENERAL TOLERANCES (UNLESS SPECIFIED)		DIMENSION STYLE MM ONLY		SCALE 2:1	DESIGN UNITS METRIC	THIRD ANGLE PROJECTION	
	10 UNDER	±0.2	DRAWN BY Y. WADA	DATE 2004/01/09	TITLE EMBSTP PKG FOR 0.5 FPC CONN ZIF HSG ASSY -LEAD FREE- MOLEX INCORPORATED			
	10 OVER 30 UNDER	±0.25	CHECKED BY M. SASAO	DATE 2004/01/09				
	30 OVER	±0.3	APPROVED BY M. SASAO	DATE 2004/01/09				
	ANGULAR	±3 °	MATERIAL NO.		DOCUMENT NO. SD-54548-038	SHEET NO. 3 OF 4		
DRAFT WHERE APPLICABLE MUST REMAIN WITHIN DIMENSIONS			SEE CHART		THIS DRAWING CONTAINS INFORMATION THAT IS PROPRIETARY TO MOLEX INCORPORATED AND SHOULD NOT BE USED WITHOUT WRITTEN PERMISSION			

10 9 8 7 6 5 4 3 2 1

F ← 引き出し方向 PULL OUT DIRECTION



32mm幅キャリアテープ  
32mm WIDTH CARRIER TAPE

32	37.4	33.4	14.3	18.4	19.5	54548-2670	26
			13.3	17.4	18.5	54548-2470	24
キャリアテープ幅 CARRIER TAPE WIDTH	E	D	(C)	(B)	(A)	製品番号 MATERIAL No.	極数 CIRCUIT

REVISED IEC NO. J2005-2516 2005/02/28 DRAWN BY Y. WADA 2005/02/28 CHKD BY CHIKO KATOYODA 2005/03/07 APPR. BY NIKIYUKI 2005/03/07	GENERAL TOLERANCES (UNLESS SPECIFIED)		DIMENSION STYLE MM ONLY		SCALE 2:1	DESIGN UNITS METRIC	MODEL NO. 54548-**70	THIRD ANGLE PROJECTION
	10 UNDER	± 0.2	DRAWN BY Y. WADA	DATE 2004/01/09	TITLE EMBSTP PKG FOR 0.5 FPC CONN ZIF HSG ASSY -LEAD FREE- MOLEX INCORPORATED			
	10 OVER 30 UNDER	± 0.25	CHECKED BY M. SASAO	DATE 2004/01/09				
	30 OVER	± 0.3	APPROVED BY M. SASAO	DATE 2004/01/09				
	ANGULAR	± 3 °	DRAFT WHERE APPLICABLE MUST REMAIN WITHIN DIMENSIONS		MATERIAL NO. SEE CHART	DOCUMENT NO. SD-54548-038	SHEET NO. 4 OF 4	
SIZE A3		THIS DRAWING CONTAINS INFORMATION THAT IS PROPRIETARY TO MOLEX INCORPORATED AND SHOULD NOT BE USED WITHOUT WRITTEN PERMISSION						

Rev. D 2004/04/02 9 8 7 6 5 4 3 2 1 EN-02JA(021)