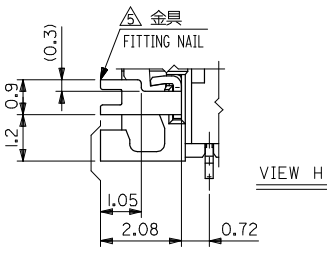
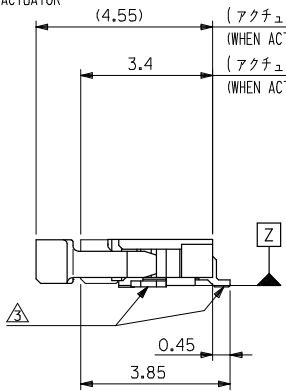
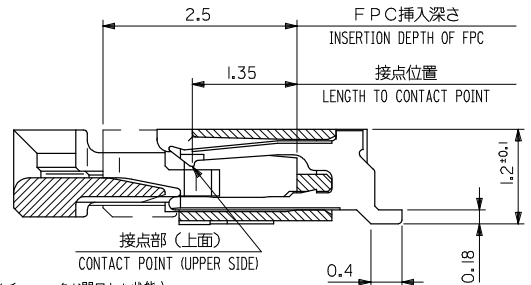
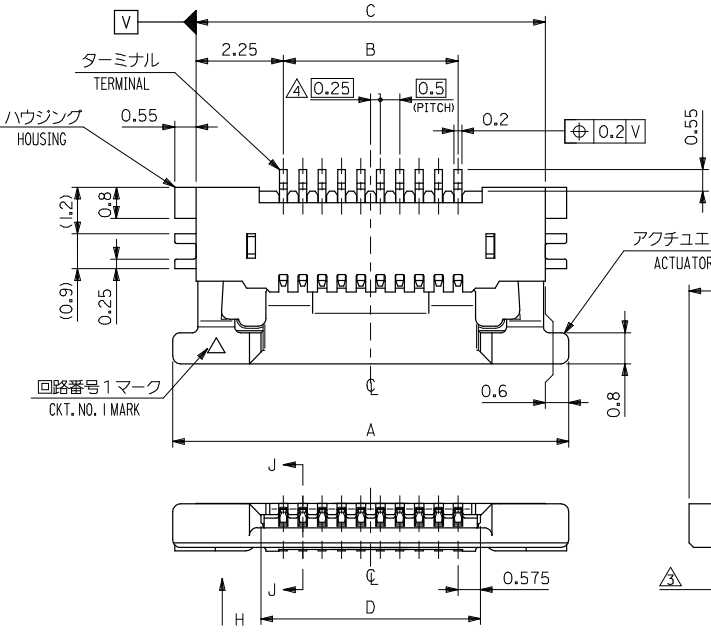


10 9 8 7 6 5 4 3 2 1

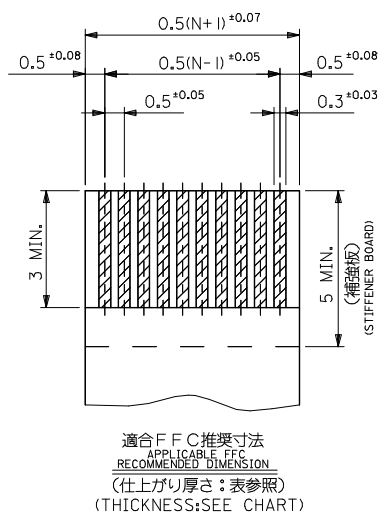
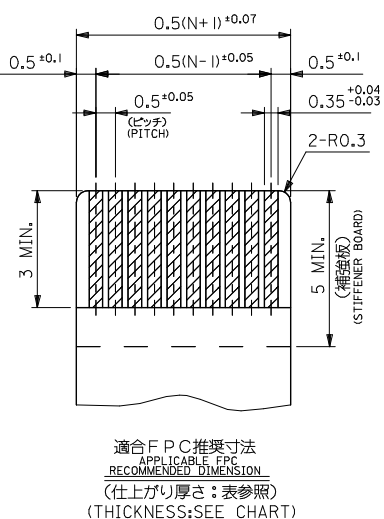
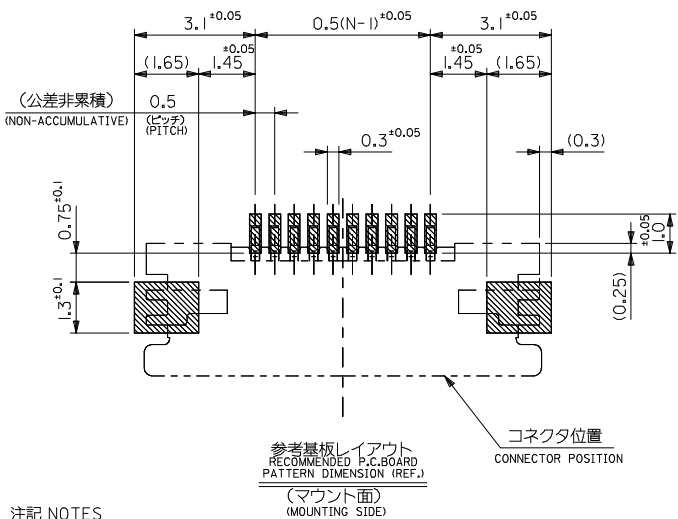


THICKNESS OF FPC	D	C	B	A	EMBOSSED TAPE ORDER No. オータ-番号	製品番号 MATERIAL No.	極数 Ckt	
0.28 ^{+0.03}	13.65	17	12.5	18.2	54550-2694	54550-2619	26	
	13.15	16.5	12.0	17.7	54550-2594	54550-2519	25	
	12.65	16	11.5	17.2	54550-2494	54550-2419	24	
	11.65	15	10.5	16.2	54550-2294	54550-2219	22	
	11.15	14.5	10	15.7	54550-2194	54550-2119	21	
	10.65	14	9.5	15.2	54550-2094	54550-2019	20	
	10.15	13.5	9	14.7	54550-1994	54550-1919	19	
	9.65	13	8.5	14.2	54550-1894	54550-1819	18	
	9.15	12.5	8	13.7	54550-1794	54550-1719	17	
	8.65	12	7.5	13.2	54550-1694	54550-1619	16	
	8.15	11.5	7	12.7	54550-1594	54550-1519	15	
	0.3 ^{+0.03}	7.65	11	6.5	12.2	54550-1494	54550-1419	14
		7.15	10.5	6	11.7	54550-1394	54550-1319	13
		6.65	10	5.5	11.2	54550-1294	54550-1219	12
		6.15	9.5	5	10.7	54550-1194	54550-1119	11
		5.65	9	4.5	10.2	54550-1094	54550-1019	10
5.15		8.5	4	9.7	54550-0994	54550-0919	9	
4.65		8	3.5	9.2	54550-0894	54550-0819	8	
4.15		7.5	3	8.7	54550-0794	54550-0719	7	
3.65	7	2.5	8.2	54550-0694	54550-0619	6		
3.15	6.5	2	7.7	54550-0594	54550-0519	5		
2.65	6.0	1.5	7.2	54550-0494	54550-0419	4		

REVISED EC NO: J2008-4048 DRAWN: MABEI 2008/06/13 CHKD: THARYAMA 2008/06/16 APPR: NUKITA 2008/06/16	54550-**19	MODEL No.	DIMENSION STYLE MM ONLY		SCALE ---	DESIGN UNITS METRIC	THIRD ANGLE PROJECTION
	GENERAL TOLERANCES (UNLESS SPECIFIED)		DRAWN BY M. NINOMIYA		DATE '03/12/22		TITLE 0.5 FPC CONN ZIF HOUSING ASSY SMT RA UPPER CONT -LEAD FREE-
	10 UNDER	±0.2	CHECKED BY K. TOJO		DATE '03/12/22		MOLEX MOLEX INCORPORATED
	10 OVER 30 UNDER	±0.25	APPROVED BY M. SASAO		DATE '03/12/22		
30 OVER	±0.3	ANGULAR		±3 °		MATERIAL NO. SEE TABLE	
DRAFT WHERE APPLICABLE MUST REMAIN WITHIN DIMENSIONS		DOCUMENT NO. SD-54550-019		SHEET NO. 1 OF 2			

tb_frame_A3_J_ME_S Rev. D 2004/04/02

EN-02JA(021)



注記 NOTES

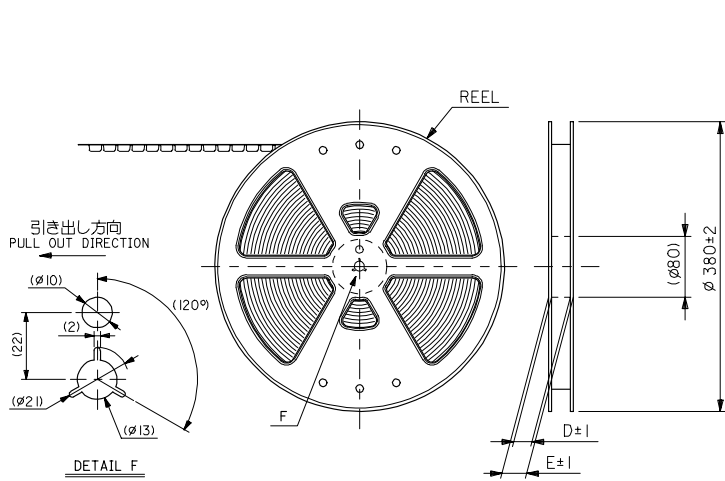
1. 使用材料 MATERIAL
- ハウジング : LCP, UL94V-0
 - アクチュエータ : PPS, UL94V-0
 - ターミナル : リン青銅 (t=0, 2), ニッケル下地鍍ビスマスメッキ
TERMINAL PHOS-BRO, TIN-BISMUTH OVER NICKEL PLATED
 - 金具 : リン青銅 (t=0, 2), ニッケル下地鍍メッキ
FITTING NAIL PHOS-BRO, TIN OVER NICKEL PLATED

2. エンボステープ極端時は、アクチュエータがロックした状態とする。
IN THE PACKAGE, ACTUATOR OF PART NO.54550-**17 SHOULD BE LOCKED.
- △ シルダテール半田付け面のズレ量、及び金具半田付け面のズレ量は、基準面 Z に対し上方向 0MAX.、下方向 0.15MAX. とし、相互のバラつき量は 0.1MAX. とする。
MISALIGNMENT OF SOLDER TAILS AND FITTING NAILS FROM Z UPPER DIRECTION: 0 MAX., LOWER DIRECTION: 0.15 MAX. OFFSET BETWEEN UPPER AND LOWER 0.1 MAX.
- △ 偶数個に適用。
APPLY FOR EVEN CIRCUIT.
- △ パターンはくり止め用金具
FITTING NAIL FOR PREVENTION OF PEELING OF P.C.B. PATTERN.
2. 本製品は 54550-**17 の鉛フリー品である。
THIS PRODUCT IS LEAD FREE OF 54550-**17.

FPC/FFCについて:
打抜き方向は導体側から補強板側を推奨いたします。
導体部については軟銅箔35マイクロメートルまたは50マイクロメートルを推奨いたします。
RECOMMENDED PUNCHER DIRECTION: FROM CONDUCTOR SIDE TO STIFFENER BOARD SIDE.
RECOMMENDED CONDUCTOR SPEC:
THICKNESS OF SOFT COPPER FOIL :35 MICROMETER or 50MICROMETER

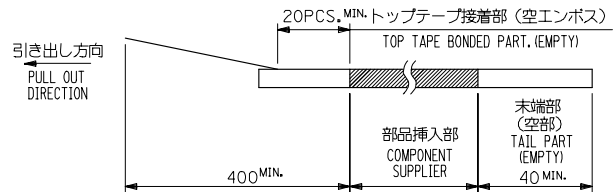
REVISED		GENERAL TOLERANCES (UNLESS SPECIFIED)		DIMENSION STYLE MM ONLY		SCALE ---	DESIGN UNITS METRIC	THIRD ANGLE PROJECTION
EC NO: J2008-4048	2008/06/13	10 UNDER	±0.2	DRAWN BY M. NINOMIYA	DATE '03/12/22	TITLE 0.5 FPC CONN ZIF HOUSING ASSY SMT RA UPPER CONT -LEAD FREE-		
DRWN: MABEI	2008/06/16	10 OVER 30 UNDER	±0.25	CHECKED BY K. TOJO	DATE '03/12/22	MOLEX INCORPORATED		
CHKD: THARYAMA	2008/06/16	30 OVER	±0.3	APPROVED BY M. SASAO	DATE '03/12/22	DOCUMENT NO. SD-54550-019		
APPR: NIKITA	2008/06/16	ANGULAR	±3°	MATERIAL NO. SEE SHEET 1		SHEET NO. 2 OF 2		
DESCRIPTION		DRAFT WHERE APPLICABLE MUST REMAIN WITHIN DIMENSIONS		THIS DRAWING CONTAINS INFORMATION THAT IS PROPRIETARY TO MOLEX INCORPORATED AND SHOULD NOT BE USED WITHOUT WRITTEN PERMISSION				

10 9 8 7 6 5 4 3 2 1

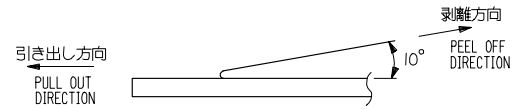


NOTES

- 製品詳細寸法については図面 54550-***19 を参照下さい。
RE DETAILED DIMENSION, SEE 54550-***19
- 梱包数量：3000個/リール
NUMBER OF CONNECTORS : 3000PCS/REEL
- リードテープ長さ LEAD TAPE LENGTH



- トップテープの剥離強度：0.1N ~ 1.3N (10gf ~ 130gf)
(剥離方向は下図参照)
尚、本規格値は出荷時に適用。(但し、輸送時に剥離が発生しないこと。)
PEELING OFF FORCE OF TOP TAPE : 0.1N ~ 1.3N (10gf ~ 130gf)
(PEELING DIRECTION AS SHOWN IN FOLLOWING FIG.)
THIS REQUIREMENT SHOULD BE APPLIED AT SHIPMENT.
PEEL OFF SHOULD NOT BE ALLOWED , DURING TRANSPORTATION.



- 材料(MATERIAL)
キャリアテープ(CARRIER TAPE)：ポリプロピレン(POLYPROPYLENE)
トップテープ(TOPTAPE)：PET , PE , PEF
リール(REEL)：ポリスチレン (PS) <リサイクル材を含む>
POLYSTYRENE(PS) <RECYCLE MATERIAL CONTAINED>
- 本製品は 54550-***90 の鉛フリー品である。
THIS PRODUCT IS LEAD FREE OF 54550-***90.

REVISED REV. C	IEC NO. J2005-1954	2005/01/13	2005/01/14	2005/01/18	GENERAL TOLERANCES (UNLESS SPECIFIED)	DIMENSION STYLE MM ONLY		SCALE ---	54550-***94	MODEL No.	
	DRW: NABEI	CHK: K. TOJO	APP: NIKITA	DESCRIPTION		10 UNDER	±0.2	DRAWN BY M. NINOMIYA	DATE '03/12/22	DESIGN UNITS METRIC	THIRD ANGLE PROJECTION
						10 OVER 30 UNDER	±0.25	CHECKED BY K. TOJO	DATE '03/12/22	0.5 FPC CONN ZIF HSG EMBSTP PKG -LEAD FREE-	
						30 OVER	±0.3	APPROVED BY M. SASAO	DATE '03/12/22	MOLEX INCORPORATED	
				ANGULAR	±3 °	MATERIAL NO. SEE CHART		DOCUMENT NO. SD-54550-020	SHEET NO. 1 OF 4		
DRAFT WHERE APPLICABLE MUST REMAIN WITHIN DIMENSIONS					SIZE A3					THIS DRAWING CONTAINS INFORMATION THAT IS PROPRIETARY TO MOLEX INCORPORATED AND SHOULD NOT BE USED WITHOUT WRITTEN PERMISSION	

10 9 8 7 6 5 4 3 2 1

F

E

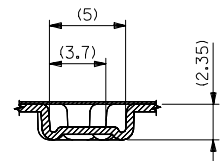
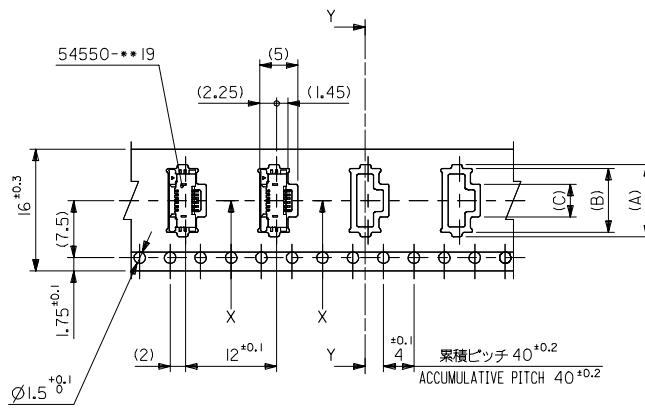
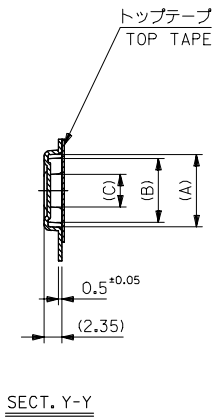
D

C

B

A

引き出し方向
PULL OUT DIRECTION



16mm幅キャリアテープ
16mm WIDTH CARRIER TAPE

16	21.4	17.4	4.3	8.4	9.5	54550-0694	6
			3.8	7.9	9	54550-0594	5
			3.3	7.4	8.5	54550-0494	4
キャリアテープ幅 CARRIER TAPE WIDTH	E	D	(C)	(B)	(A)	製品番号 MATERIAL No.	種数 CK+

REVISED IEC NO. J2005-1954 DRAWN BY CHIKDK TOJO APPR. NIKITA 2005/01/13 2005/01/14 2005/01/18	GENERAL TOLERANCES (UNLESS SPECIFIED)		DIMENSION STYLE MM ONLY		SCALE ---	DESIGN UNITS METRIC	54550-***94	MODEL No.
	10 UNDER	±0.2	DRAWN BY M. NINOMIYA	DATE '03/12/22	TITLE 0.5 FPC CONN ZIF HSG EMBSTP PKG -LEAD FREE-			
	10 OVER 30 UNDER	±0.25	CHECKED BY K. TOJO	DATE '03/12/22	MOLEX INCORPORATED			
	30 OVER	±0.3	APPROVED BY M. SASAO	DATE '03/12/22	DOCUMENT NO. SD-54550-020			
	ANGULAR ±3 °	DRAFT WHERE APPLICABLE MUST REMAIN WITHIN DIMENSIONS		SEE CHART		MATERIAL NO.		SHEET NO. 2 OF 4
				SIZE A3		THIS DRAWING CONTAINS INFORMATION THAT IS PROPRIETARY TO MOLEX INCORPORATED AND SHOULD NOT BE USED WITHOUT WRITTEN PERMISSION		

9

8

7

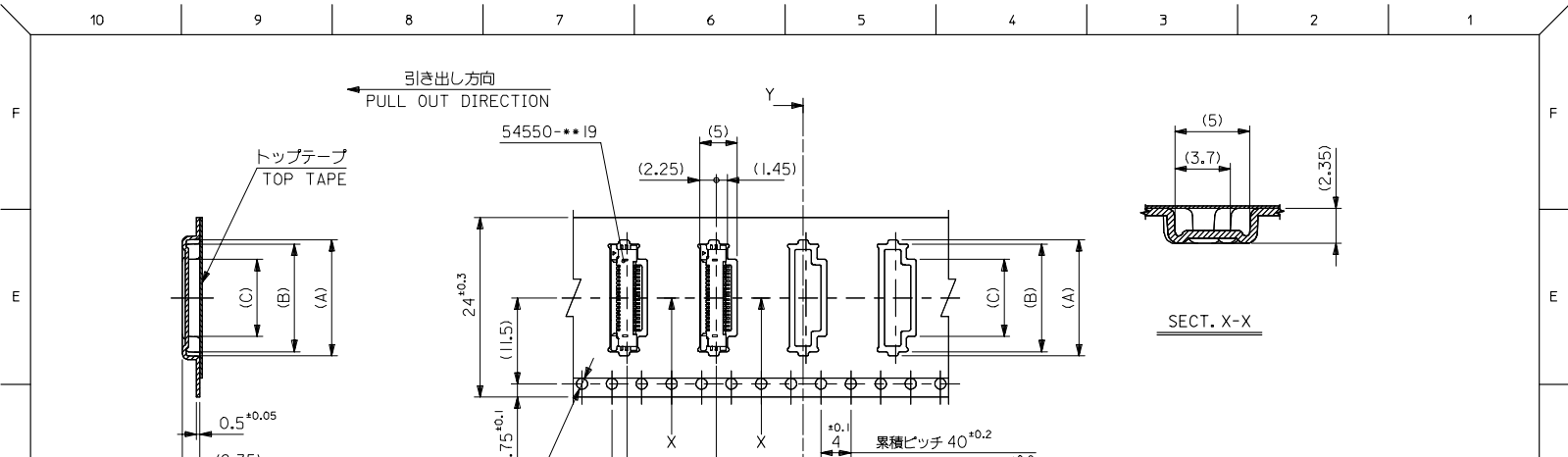
6

5

4

3

2



24mm幅キャリアテープ
24mm WIDTH CARRIER TAPE

24	29.4	25.4	12.3	16.4	17.5	54550-2294	22
			11.8	15.9	17	54550-2194	21
			10.8	15.4	16.5	54550-2094	20
			10.8	14.9	16	54550-1994	19
			10.3	14.4	15.5	54550-1894	18
			9.8	13.9	15	54550-1794	17
			9.3	13.4	14.5	54550-1694	16
			8.8	12.9	14	54550-1594	15
			8.3	12.4	13.5	54550-1494	14
			7.8	11.9	13	54550-1394	13
			7.3	11.4	12.5	54550-1294	12
			6.8	10.9	12	54550-1194	11
			6.3	10.4	11.5	54550-1094	10
			5.8	9.9	11	54550-0994	9
			5.3	9.4	10.5	54550-0894	8
			4.8	8.9	10	54550-0794	7
キャリアテープ幅 CARRIER TAPE WIDTH	E	D	(C)	(B)	(A)	製品番号 MATERIAL No.	種数 CK+

REVISED IEC NO. J2005-1954 DRAWN BY CHIKDK.TOJO APPR. NIKITA 2005/01/13 2005/01/14 2005/01/18	GENERAL TOLERANCES (UNLESS SPECIFIED)		DIMENSION STYLE MM ONLY		SCALE ---	DESIGN UNITS METRIC	54550-**-94	MODEL No.
	10 UNDER	±0.2	DRAWN BY M.NINOMIYA	DATE '03/12/22	TITLE 0.5 FPC CONN ZIF HSG EMBSTP PKG -LEAD FREE-			
	10 OVER 30 UNDER	±0.25	CHECKED BY K.TOJO	DATE '03/12/22	MOLEX INCORPORATED			
	30 OVER	±0.3	APPROVED BY M.SASAO	DATE '03/12/22	DOCUMENT NO. SD-54550-020			
	ANGULAR ±3 °	DRAFT WHERE APPLICABLE MUST REMAIN WITHIN DIMENSIONS		MATERIAL NO. SEE CHART	SHEET NO. 3 OF 4			
				SIZE A3	THIS DRAWING CONTAINS INFORMATION THAT IS PROPRIETARY TO MOLEX INCORPORATED AND SHOULD NOT BE USED WITHOUT WRITTEN PERMISSION			

10 9 8 7 6 5 4 3 2 1

F ← 引き出し方向 PULL OUT DIRECTION

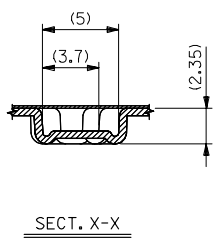
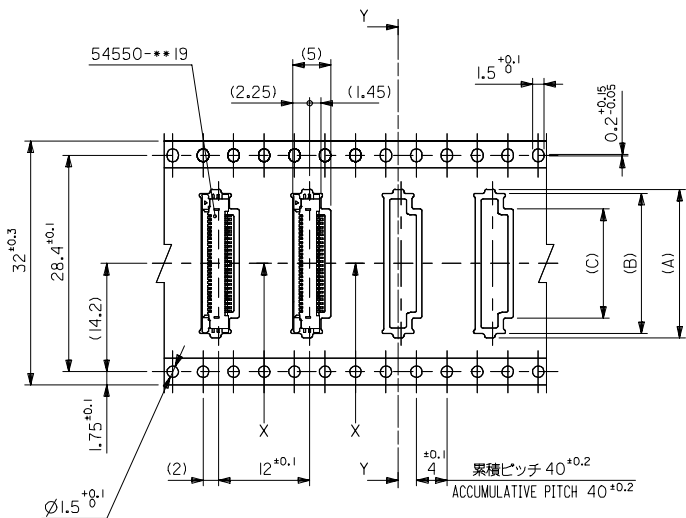
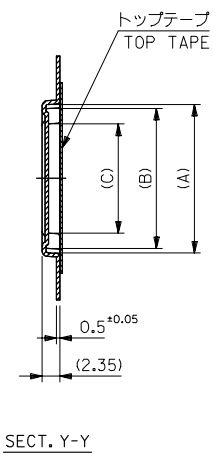
E

D

C

B

A



32mm幅キャリアテープ
32mm WIDTH CARRIER TAPE

32	37.4	33.4	14.3	18.4	19.5	54550-2694	26
			13.8	17.9	19.0	54550-2594	25
			13.3	17.4	18.5	54550-2494	24
キャリアテープ幅 CARRIER TAPE WIDTH	E	D	(C)	(B)	(A)	製品番号 MATERIAL No.	種数 CK+

REVISED IEC NO. J2005-1954 DRAWN BY CHKDK TOJO APPR. NIKITA 2005/01/13 2005/01/14 2005/01/18	GENERAL TOLERANCES (UNLESS SPECIFIED)		DIMENSION STYLE MM ONLY		SCALE ---	DESIGN UNITS METRIC	54550-**-94	MODEL No.
	10 UNDER	±0.2	DRAWN BY M. NINOMIYA	DATE '03/12/22	TITLE 0.5 FPC CONN ZIF HSG EMBSTP PKG -LEAD FREE-			
	10 OVER 30 UNDER	±0.25	CHECKED BY K. TOJO	DATE '03/12/22	MOLEX INCORPORATED			
	30 OVER	±0.3	APPROVED BY M. SASAO	DATE '03/12/22	DOCUMENT NO. SD-54550-020			
	ANGULAR ±3 °	DRAFT WHERE APPLICABLE MUST REMAIN WITHIN DIMENSIONS		MATERIAL NO. SEE CHART		SHEET NO. 4 OF 4		
SIZE A3				THIS DRAWING CONTAINS INFORMATION THAT IS PROPRIETARY TO MOLEX INCORPORATED AND SHOULD NOT BE USED WITHOUT WRITTEN PERMISSION				