

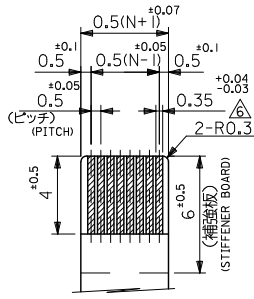
注記 NOTES

1. 使用材料 : MATERIAL
 - ハウジング : 46ナイロン, UL94V-0 46NYLON
 - アクチュエータ : PPS, UL94V-0 ACTUATOR
 - ターミナル : リン青銅 (t=0.2) PHOS-BRO
 - 金具 : リン青銅 (t=0.2) PHOS-BRO
 - 銅ビス : 1.0マイクromメートル以上 TIN-BISMUTH 1.0 MICROMETER MINIMUM
 - 銅メッキ : 1.0マイクromメートル以上 TIN 1.0 MICROMETER MINIMUM
 - ニッケル下地 : 1.0マイクromメートル以上 NICKEL (UNDER PLATING) 1.0 MICROMETER MINIMUM
2. エンボステープ梱包時は、アクチュエータがロックした状態とする。
IN THE PACKAGE, ACTUATOR OF PART NO.52435-**26 SHOULD BE LOCKED.
- △ソルダータール半田付け面のズレ量、及び金具半田付け面のズレ量は、基準面 [H] に対し上方向 0.1MAX., 下方向 0.15MAX.とする。
MISALIGNMENT OF SOLDER TAILS AND FITTING NAILS FROM UPPER DIRECTION: 0.1 MAX., LOWER DIRECTION: 0.15MAX.
- △偶数個に適用。
APPLY FOR EVEN CIRCUIT.
- △パターンはくり止め用金具。
FITTING NAIL FOR PREVENTION OF PEELING OF P.C.B. PATTERN.
- △RO. 3は、FPCの導体部にかからないこと。
RO.3 MUST NOT BE OVERLAPPED TO PATTERN OF FPC.
7. 本製品は62435-**27の鉛フリー品です。
THIS PRODUCT IS LEAD FREE OF 52435-**27.
8. MATERIAL NO.

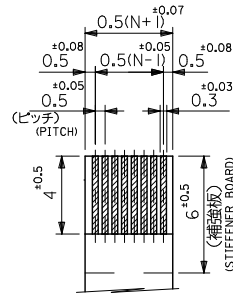
52435-**2*	1 BLACK
	6 NATURAL
52435-**7*	2 NATURAL
	3 BLACK

REVISED E.C. NO: J2011-0806 DRAWN: JEB ISAWA 2010/12/13 CHKD: TAKAHASHI 2010/12/13 APPR: KMORI IKAWA 2010/12/17	GENERAL TOLERANCES (UNLESS SPECIFIED)		DIMENSION STYLE MM ONLY		SCALE ---	DESIGN UNITS METRIC	MODEL NO. 52435-**2*	
	10 UNDER	±0.2	DRAWN BY YMAEDA	DATE 2005/11/10	TITLE 0.5 FPC CONN ZIF FOR SMT R/A (TOP CONTACT) -LEAD FREE- MOLEX INCORPORATED			
	10 OVER 30 UNDER	±0.25	CHECKED BY MTANAKA	DATE 2005/11/10				
	30 OVER	±0.3	APPROVED BY NUKITA	DATE 2005/11/10	DOCUMENT NO. SD-52435-019 SHEET NO. 1 OF 2			
ANGULAR ±3°		MATERIAL NO. SEE SHEET 2						
DRAFT WHERE APPLICABLE MUST REMAIN WITHIN DIMENSIONS			SIZE A3		THIS DRAWING CONTAINS INFORMATION THAT IS PROPRIETARY TO MOLEX INCORPORATED AND SHOULD NOT BE USED WITHOUT WRITTEN PERMISSION			

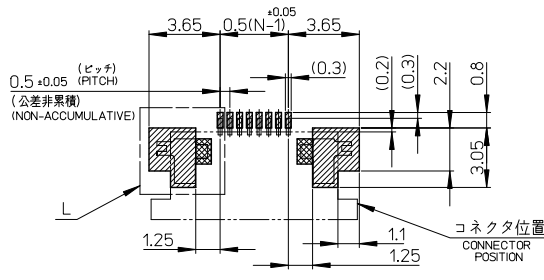
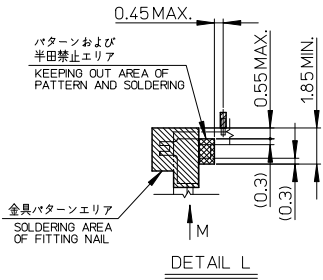
10 9 8 7 6 5 4 3 2 1



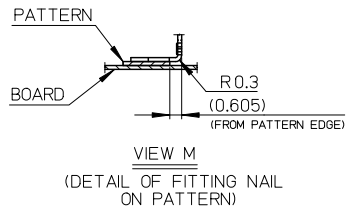
適合FPC推奨寸法
APPLICABLE FPC
RECOMMENDED DIMENSION.
(仕上がり厚さ: 0.3 ± 0.05)
(THICKNESS: 0.3 ± 0.05)



適合FPC推奨寸法
APPLICABLE FPC
RECOMMENDED DIMENSION.
(仕上がり厚さ: 0.3 ± 0.05)
(THICKNESS: 0.3 ± 0.05)



参考基板レイアウト
(マウント面)
RECOMMENDED PCB BOARD
PATTERN DIMENSION (REF.)
(MOUNTING SIDE)



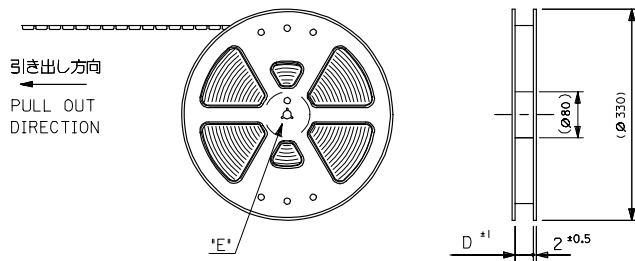
FPCについて:
打抜き方向は導体側から補強板側を推奨致します。
補強フィルム材質はポリイミドを推奨致します。
接着剤は熱硬化接着剤を推奨致します。

ABOUT FPC:
RECOMMENDED PUNCHER DIRECTION : FROM CONDUCTOR SIDE TO STIFFENER BOARD SIDE.
RECOMMENDED MATERIAL :
STIFFENER FILM : POLYIMIDE
BONDING AGENT : THERMOSETTING BONDING AGENT

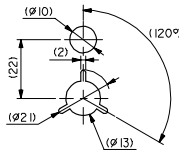
21.6	19.6	15.65	14.5	52435-307*	52435-302*	30
21.1	19.1	15.15	14.0	-297*	-292*	29
20.6	18.6	14.65	13.5	-287*	-282*	28
20.1	18.1	14.15	13.0	-277*	-272*	27
19.6	17.6	13.65	12.5	-267*	-262*	26
19.1	17.1	13.15	12.0	-257*	-252*	25
18.6	16.6	12.65	11.5	-247*	-242*	24
18.1	16.1	12.15	11.0	-237*	-232*	23
17.6	15.6	11.65	10.5	-227*	-222*	22
17.1	15.1	11.15	10.0	-217*	-212*	21
16.6	14.6	10.65	9.5	-207*	-202*	20
16.1	14.1	10.15	9.0	-197*	-192*	19
15.6	13.6	9.65	8.5	-187*	-182*	18
15.1	13.1	9.15	8.0	-177*	-172*	17
14.6	12.6	8.65	7.5	-167*	-162*	16
14.1	12.1	8.15	7.0	-157*	-152*	15
13.6	11.6	7.65	6.5	-147*	-142*	14
13.1	11.1	7.15	6.0	-137*	-132*	13
12.6	10.6	6.65	5.5	-127*	-122*	12
12.1	10.1	6.15	5.0	-117*	-112*	11
11.6	9.6	5.65	4.5	-107*	-102*	10
11.1	9.1	5.15	4.0	-097*	-092*	9
10.6	8.6	4.65	3.5	-087*	-082*	8
10.1	8.1	4.15	3.0	-077*	-072*	7
9.6	7.6	3.65	2.5	52435-067*	52435-062*	6
D	C	B	(A)	EMBOSSSED TAPE ORDER No. オ-ダー番号	MATERIAL NO.	極数 CMT.

REVISED EC NO: J2011-0806 DRAWN: JEB ISAWA 2010/12/13 CHKD: TAKAHASHI 2010/12/13 APPR: KIMORI KAWA 2010/12/17	GENERAL TOLERANCES (UNLESS SPECIFIED)		DIMENSION STYLE MM ONLY	SCALE ---	DESIGN UNITS METRIC	THIRD ANGLE PROJECTION
	10 UNDER	±0.2	DRAWN BY YMAEDA	DATE 2005/11/10	TITLE 0.5 FPC CONN ZIF FOR SMT R/A (TOP CONTACT) -LEAD FREE-	
	10 OVER 30 UNDER	±0.25	CHECKED BY MTANAKA	DATE 2005/11/10	MOLEX INCORPORATED	
	30 OVER	±0.3	APPROVED BY NUKITA	DATE 2005/11/10	MATERIAL NO. SEE TABLE	DOCUMENT NO. SD-52435-019
ANGULAR ±3°		DRAFT WHERE APPLICABLE MUST REMAIN WITHIN DIMENSIONS		THIS DRAWING CONTAINS INFORMATION THAT IS PROPRIETARY TO MOLEX INCORPORATED AND SHOULD NOT BE USED WITHOUT WRITTEN PERMISSION		

10 9 8 7 6 5 4 3 2 1



引き出し方向
PULL OUT
DIRECTION



DETAIL "E"

5. 材料 (MATERIAL)
 キャリアテープ (CARRIER TAPE) : ポリプロピレン (POLYPROPYLENE)
 トップテープ (TOP TAPE) : PET, PE, PEF
 リール (REEL) : ポリスチレン (PS) <リサイクル材を含む>
 POLYSTYREN (PS) <RECYCLE MATERIAL CONTAINED>

6. 本製品は62435-**-91の鉛フリー品です。
 THIS PRODUCT IS LEAD FREE OF 52435-**91.

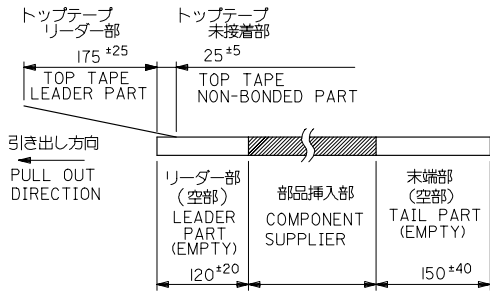
7. MATERIAL NO.

52435-**-7*

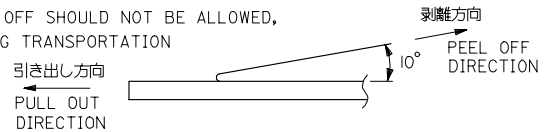
2	NATURAL
3	BLACK

注記 NOTES

- 製品番号 52435-**-26 の梱包状態はアクチュエータがロックした状態とする。
 詳細寸法については図面 SD-52435-019 を参照下さい。
 IN THE PACKAGE, ACTUATOR OF PART NO. 52435-**-26 SHOULD BE LOCKED RE DETAILED DIMENSIONS, SEE SD-52435-019
- 梱包数量 : 1000個 / リール
 NUMBER OF CONNECTORS: 1000PCS/REEL
- リードテープ長さ LEAD TAPE LENGTH

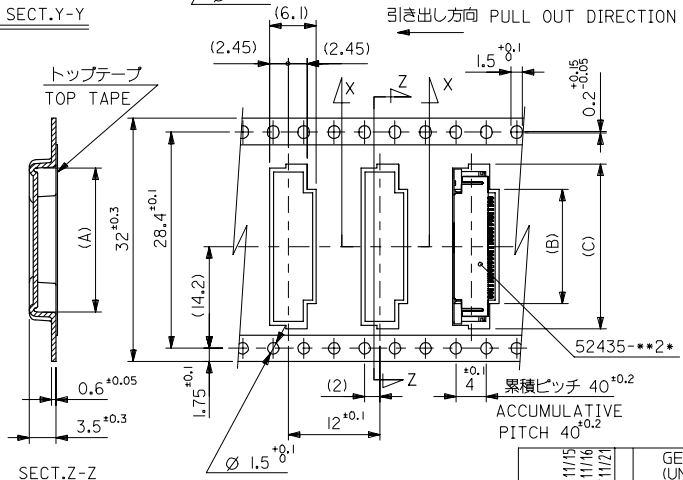
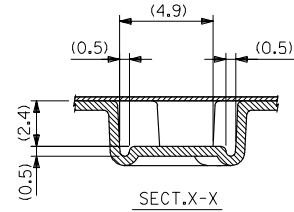
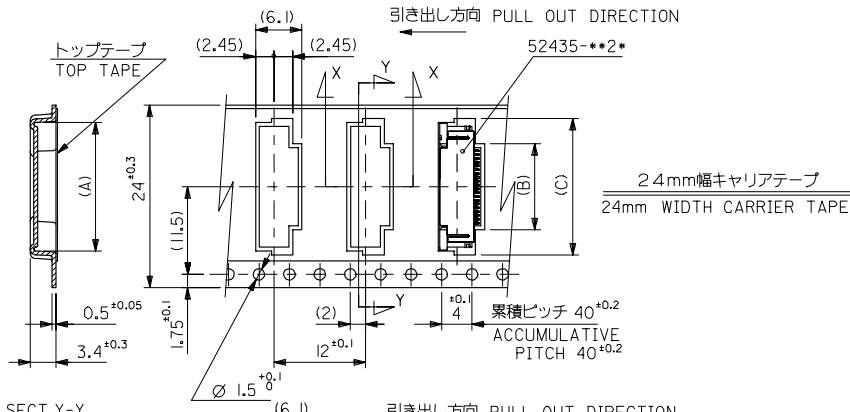


- トップテープの剥離強度 : (剥離方向は下図参照)
 0.1N ~ 1.3N (10gf ~ 130gf) 尚、本規格値は、出荷時に適用。
 (但し、輸送時に剥離が発生しない事。)
 PEELING OFF FORCE OF TOP TAPE
 THIS REQUIREMENT SHOULD BE APPLIED AT SHIPMENT
 PEEL OFF SHOULD NOT BE ALLOWED,
 DURING TRANSPORTATION



REVISED EC NO: J2006-1608 DRWN: YMAEDA 2005/11/15 CHKD: NUKITA 2005/11/16 APPR: NUKITA 2005/11/21	GENERAL TOLERANCES (UNLESS SPECIFIED)		DIMENSION STYLE MM ONLY		SCALE ---	DESIGN UNITS METRIC	THIRD ANGLE PROJECTION
	10 UNDER	±0.2	DRAWN BY YMAEDA	DATE 2005/11/11	TITLE 0.5 FPC CONN ZIF SMT R/A WITH TAPE EMBSTP PKG -LEAD FREE-		
	10 OVER 30 UNDER	±0.25	CHECKED BY MTANAKA	DATE 2005/11/11	MOLEX INCORPORATED		
	30 OVER	±0.3	APPROVED BY NUKITA	DATE 2005/11/11	DOCUMENT NO. SD-52435-020		
A	ANGULAR	±3 °	MATERIAL NO. SEE CHART		SHEET NO. 1 OF 3		
DRAFT WHERE APPLICABLE MUST REMAIN WITHIN DIMENSIONS			SIZE A3		THIS DRAWING CONTAINS INFORMATION THAT IS PROPRIETARY TO MOLEX INCORPORATED AND SHOULD NOT BE USED WITHOUT WRITTEN PERMISSION		

10 9 8 7 6 5 4 3 2 1



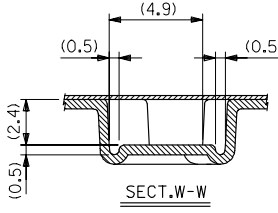
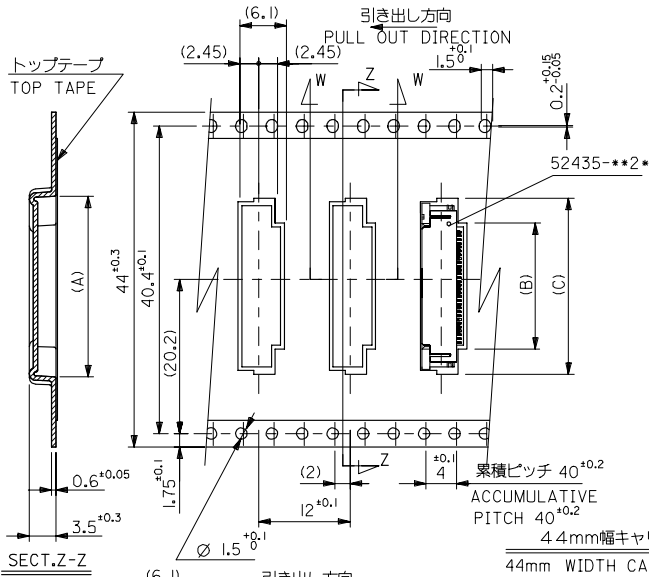
32	33.5	22.4	15.8	21.4	52435-297 *	29
		21.9	15.3	20.9	-287 *	28
		21.4	14.8	20.4	-277 *	27
		20.9	14.3	19.9	-267 *	26
		20.4	13.8	19.4	-257 *	25
		19.9	13.3	18.9	-247 *	24
		19.4	12.8	18.4	-237 *	23
		18.9	12.3	17.9	-227 *	22
		17.9	11.3	16.9	-207 *	20
		24	25.5	17.4	10.8	16.4
16.9	10.3			15.9	-187 *	18
16.4	9.8			15.4	-177 *	17
15.9	9.3			14.9	-167 *	16
15.4	8.8			14.4	-157 *	15
14.9	8.3			13.9	-147 *	14
14.4	7.8			13.4	-137 *	13
13.9	7.3			12.9	-127 *	12
13.4	6.8			12.4	-117 *	11
12.9	6.3			11.9	-107 *	10
12.4	5.8	11.4	-097 *	9		
11.9	5.3	10.9	-087 *	8		
11.4	4.8	10.4	-077 *	7		
10.9	4.3	9.9	52435-067 *	6		

REVISED IEC NO: J2006-1608 DRAWN: YMAEDA 2005/11/15 CHK: CHIKAHAKITA 2005/11/16 APPR: NUKITA 2005/11/21	GENERAL TOLERANCES (UNLESS SPECIFIED)		DIMENSION STYLE MM ONLY		SCALE ---	DESIGN UNITS METRIC	THIRD ANGLE PROJECTION
	10 UNDER	±0.2	DRAWN BY YMAEDA	DATE 2005/11/11	TITLE 0.5 FPC CONN ZIF SMT R/A WITH TAPE EMBSTP PKG -LEAD FREE-		
	10 OVER 30 UNDER	±0.25	CHECKED BY MTANAKA	DATE 2005/11/11	MOLEX INCORPORATED		
	30 OVER	±0.3	APPROVED BY NUKITA	DATE 2005/11/11	DOCUMENT NO. SD-52435-020		
	ANGULAR	±3 °	MATERIAL NO. SEE CHART		SHEET NO. 2 OF 3		
DRAFT WHERE APPLICABLE MUST REMAIN WITHIN DIMENSIONS		SIZE A3		THIS DRAWING CONTAINS INFORMATION THAT IS PROPRIETARY TO MOLEX INCORPORATED AND SHOULD NOT BE USED WITHOUT WRITTEN PERMISSION			

10 9 8 7 6 5 4 3 2 1

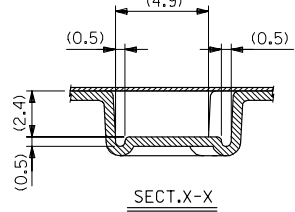
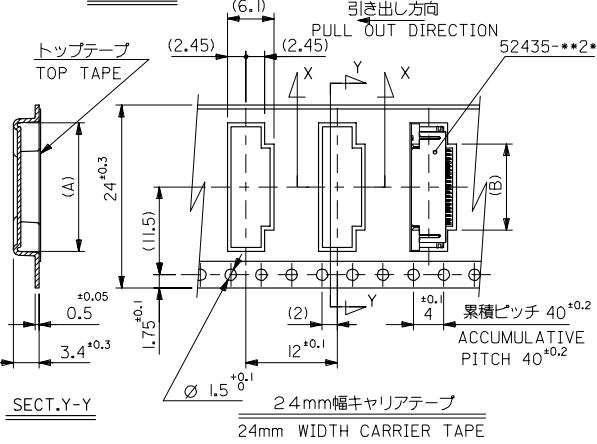
F
E
D
C
B
A

F
E
D
C
B
A



44	45.5	22.9	16.3	21.9	52435-307*	30
キャリアテープ幅 CARRIER TAPE WIDTH	D	(C)	(B)	(A)	ENG. NO.	極数 CIRCUIT

44mm幅キャリアテープ
44mm WIDTH CARRIER TAPE



24	25.5	11.8	17.4	52435-217*	21
キャリアテープ幅 CARRIER TAPE WIDTH	D	(B)	(A)	ENG. NO.	極数 CIRCUIT

24mm幅キャリアテープ
24mm WIDTH CARRIER TAPE

REVISED IEC NO: J2006-1608 2005/11/15 DRWN:YMAEDA 2005/11/16 CHK:NUKITA 2005/11/16 APPR:NUKITA 2005/11/21	GENERAL TOLERANCES (UNLESS SPECIFIED)		DIMENSION STYLE MM ONLY		SCALE ---	DESIGN UNITS METRIC	THIRD ANGLE PROJECTION
	10 UNDER	±0.2	DRAWN BY YMAEDA	DATE 2005/11/11	TITLE 0.5 FPC CONN ZIF SMT R/A WITH TAPE EMBSTP PKG -LEAD FREE- MOLEX INCORPORATED		
	10 OVER 30 UNDER	±0.25	CHECKED BY MTANAKA	DATE 2005/11/11			
	30 OVER	±0.3	APPROVED BY NUKITA	DATE 2005/11/11			
ANGULAR ±3 °		DRAFT WHERE APPLICABLE MUST REMAIN WITHIN DIMENSIONS		MATERIAL NO. SEE CHART	DOCUMENT NO. SD-52435-020	SHEET NO. 3 OF 3	
SIZE A3				THIS DRAWING CONTAINS INFORMATION THAT IS PROPRIETARY TO MOLEX INCORPORATED AND SHOULD NOT BE USED WITHOUT WRITTEN PERMISSION			